

## Earthquake Hold Down Bracket

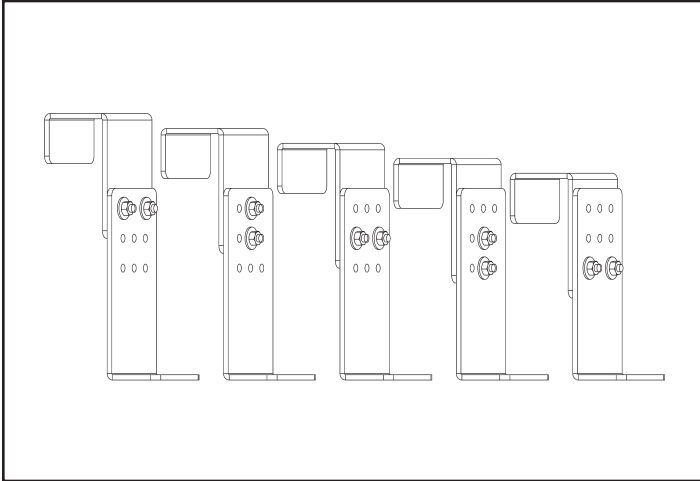
### Product Numbers

- EQBUFxx
- EQBULxx

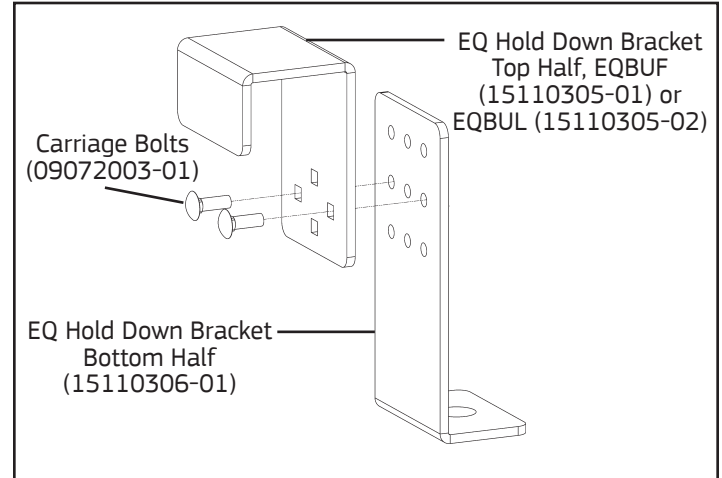
Hardware Pack: EQBUFHP (15110404-01)

### Required Tools

- 7/16" Wrench or Adjustable Wrench
- Other tools will be determined based on method of securement

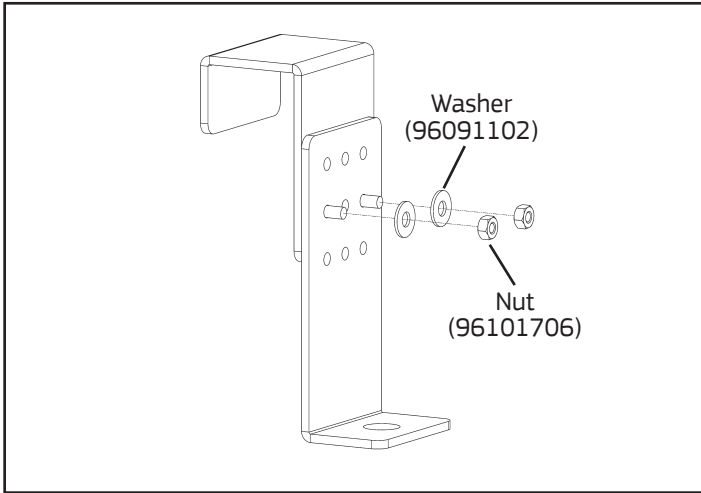


Step 1: The earthquake hold down bracket is adjustable to 5 different heights in  $\frac{1}{2}$ " increments. Gather the two sections of the bracket (either 15110305-01 or 15110305-02 & 15110306-01). Slide the brackets past one another until the height of the top bracket aligns with the top of the frame or leg cross-tube. Use the nearest position where the holes on each bracket align.

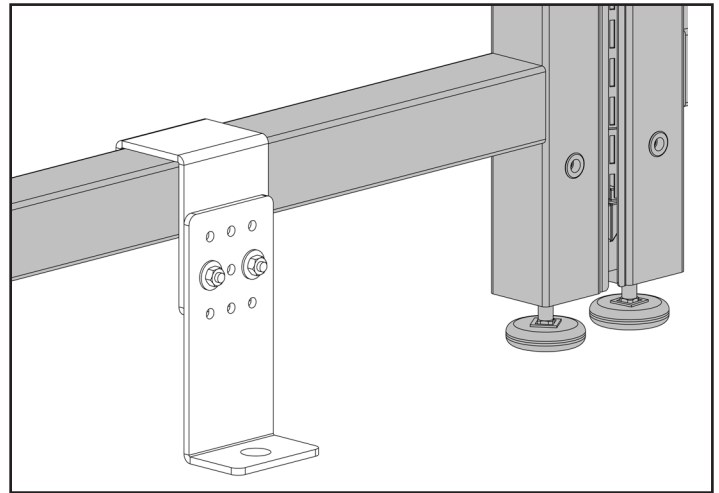


Step 2: Locate the  $\frac{1}{4}$ -20 carriage bolts (09072003-01) and insert them into the holes identified in the previous step.

## Earthquake Hold Down Bracket



Step 3: Install a washer (96091102) followed by a nut (96101706) onto each bolt and securely tighten.  
Note: Do not tighten more than 100 in-lb.



Step 4: Place the hook of the assembly over the lower horizontal of the frame. It is the responsibility of the installer to select and install the proper fasteners. Symbiote does not assume liability for their use. Fasteners must be selected and installed per the manufacturer's instructions and in accordance with the applicable building codes.  
Note: the glides of the frame may need to be adjusted up or down to ensure a tight fit.