

Earthquake Glide Clip, 4-Legged Table

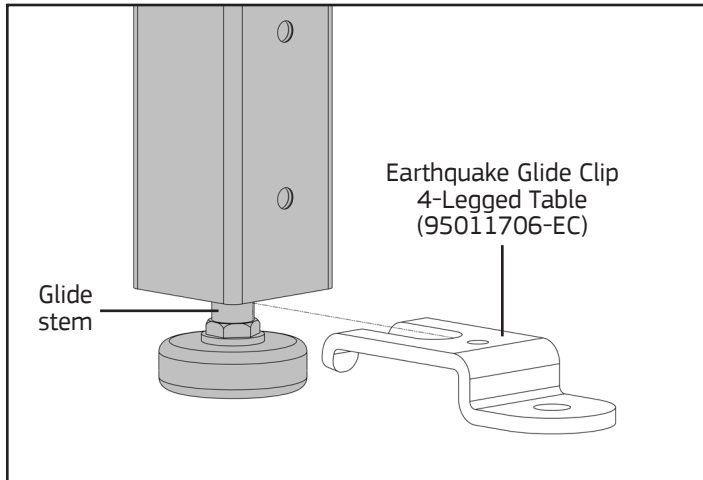
Product Numbers

- EQG4LBK

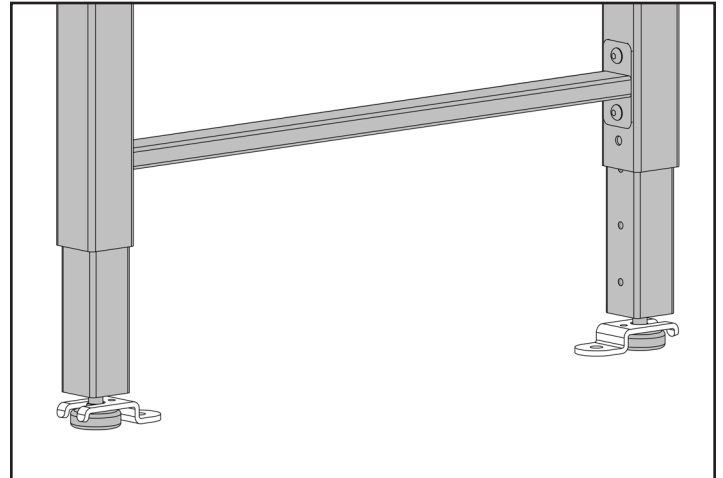
Hardware Pack: EQG4L

Required Tools

- Consult fastener instructions for recommended tools



Step 1: Locate the 4-Legged Table earthquake glide clip (95011706-EC) and install it so the glide stem is between the forks and the tangs at the end of the forks wrap over the base of the glide. The flat section of the EQG4LBK should rest on the floor.



Step 2: It is the responsibility of the installer to select and install the proper fasteners. Symbiote does not assume liability for their use. Fasteners must be selected and installed in accordance with the manufacturer's instructions and all applicable building codes.