

Earthquake Glide Clip

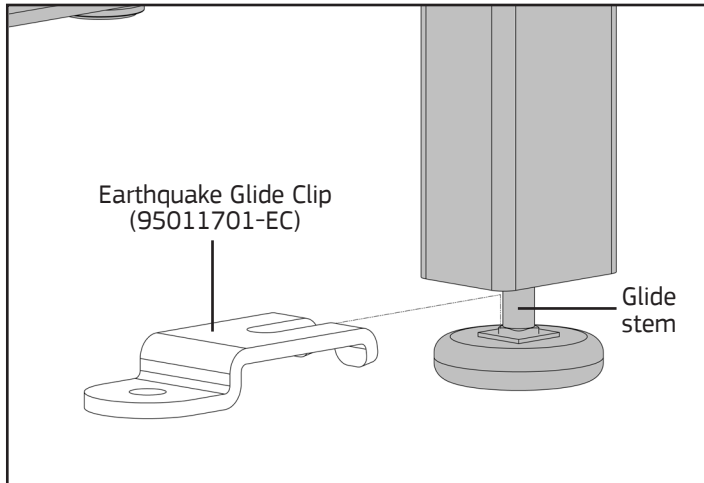
Product Numbers

- EQGBK

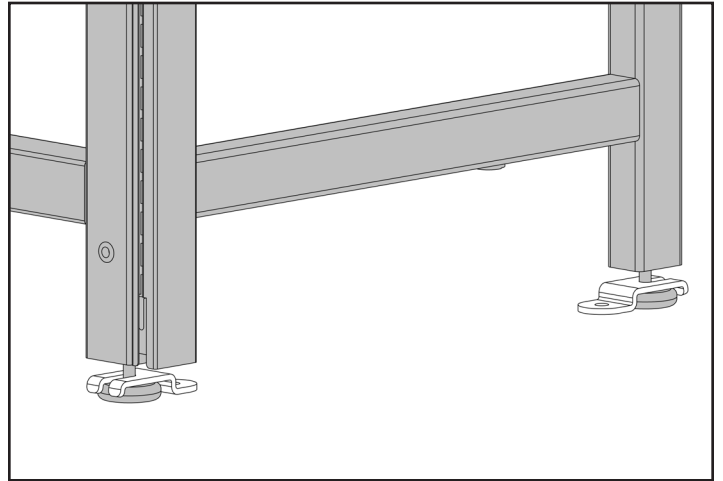
Hardware Pack: EQGHP

Required Tools

- Consult fastener instructions for recommended tools



Step 1: Locate the earthquake tie down glide clip (95011701-EC) so the glide stem is located between the forks of the earthquake glide clip and the tangs wrap over the glide's base.



Step 2: It is the responsibility of the installer to select and install the proper fasteners. Symbiote does not assume liability for their use. Fasteners must be selected and installed in accordance with the manufacturer's instructions and all applicable building codes.