

## Data Distributor, Face-mount

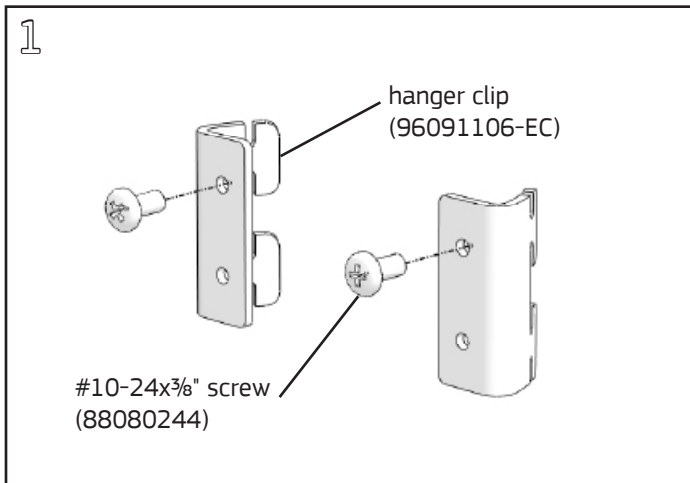
### Product Numbers

- DDFxyz

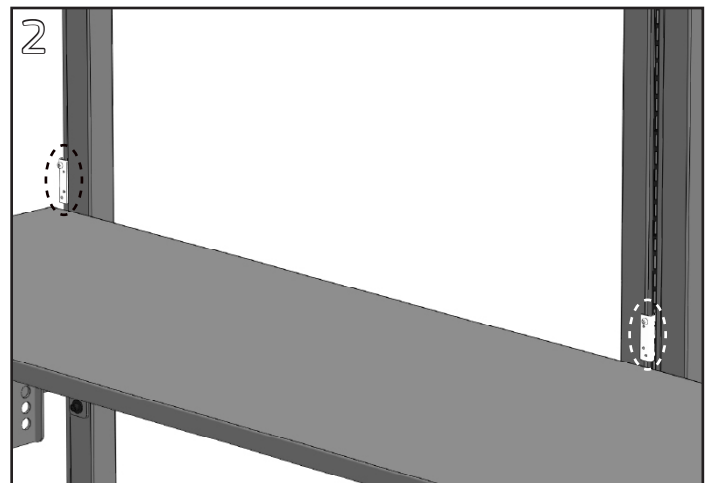
Hardware Pack: DDHP (p/n 11051411-01) or DDF72HP (p/n 11051411-02)

### Required Tools:

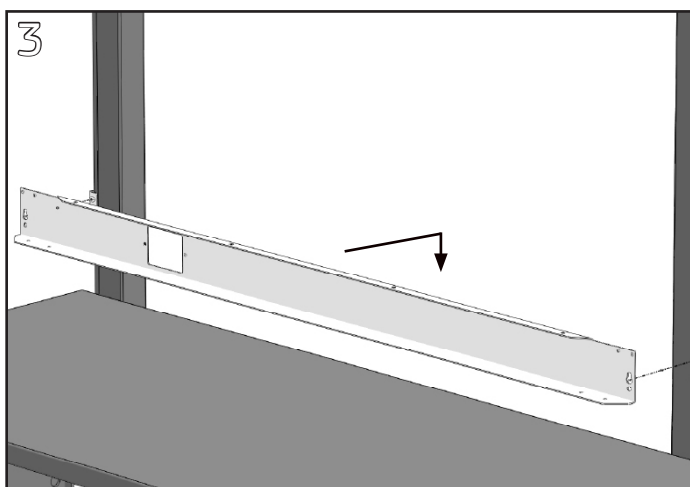
- #2 Phillips Screwdriver



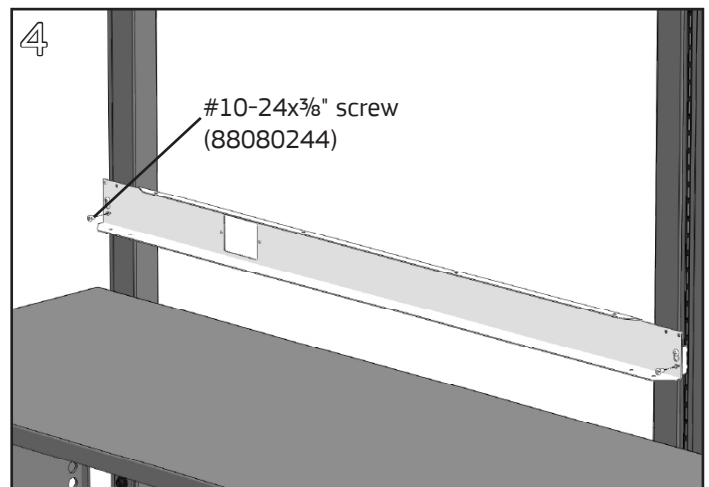
Install a #10-24x $\frac{3}{8}$ " Phillips pan head screw into the top tapped hole of each hanger clip. Leave a  $\frac{1}{8}$ " gap between the head of the screw and face of the clip.



Install a hanger clip on the left and right side of the frame at the same height with the screws at the top of each clip. For 72" wide distributors, install a third hanger clip without a top screw on the right side of the center frame joint.

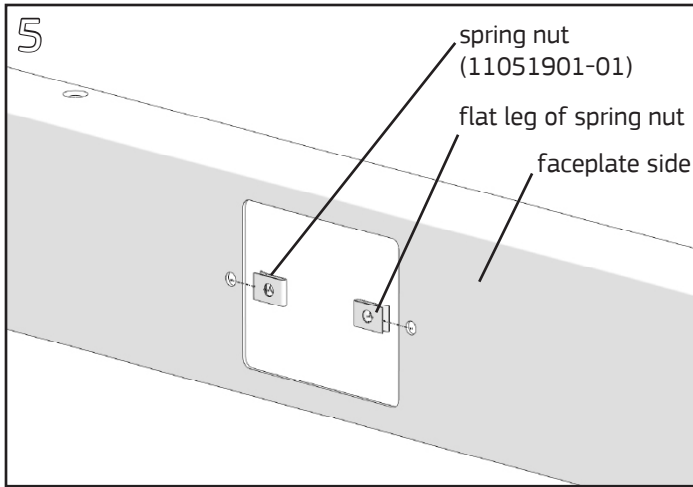


For 72" wide distributors, punch out the  $\frac{1}{4}$ " knock-out in the base at the mid clip location. Align the bottom of the keyslot in the Data Distributor base with the heads of the #10-24 screws in the hanger clips. Slide the distributor down over the screws to engage.

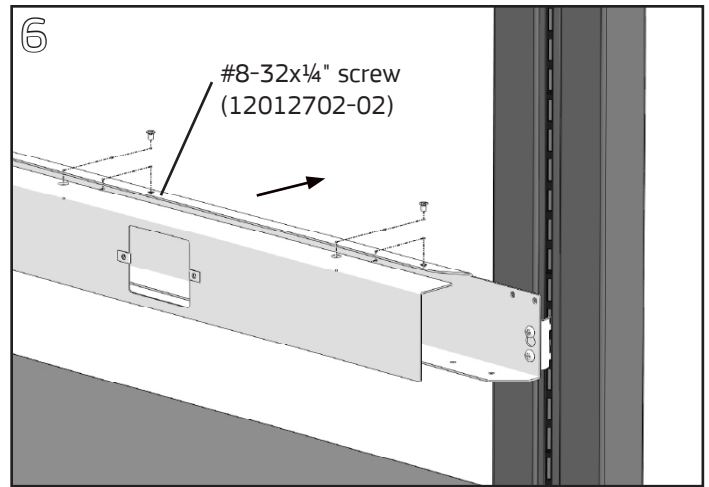


Install an additional #10-24x $\frac{3}{8}$ " Phillips pan head screw in the hole below the keyslot in each hanger clip and install two screws in the center on a 72" wide distributor. Fully tighten all hanger clip screws with a #2 Phillips screwdriver.

## Data Distributor, Face-mount



Install clip-on nuts in the holes on either side of the faceplate cutouts in both the Data Distributor base and cover. The flat leg of the spring nut should be on the faceplate side of the distributor. Install faceplates, jacks and data cables (not provided) in Data Distributor base cover.



Place the cover on the base, aligning all countersunk holes in the top flange of the cover with the holes in the base. Install a #8-32x1/4" Phillips flathead screw in each countersunk hole and fully tighten with a #2 Phillips screwdriver.