

12 PORT DATA CHASE

Horizontal Hanger Clip Mounting of Base

1. At designated mounting height, install hanger clips on the left and right hand sides of the frame. Make sure clips are firmly seated in the hanger frame. (Figure 1)

2. Align the set of holes closest to the end of the base with the center holes on the hanger clip on each side of the frame. (Figure 1)

3. Insert a #10-24x3/8" Phillips screw into each of the four holes and tighten securely. (Figure 1)

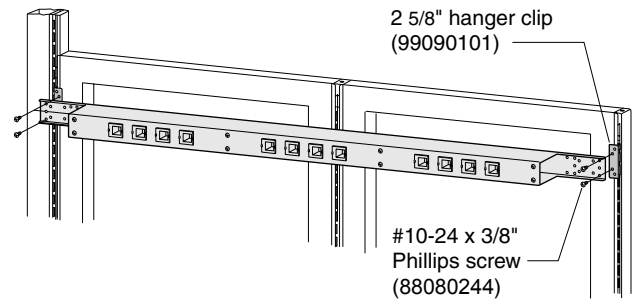


Figure 1

Vertical Hanger Clip Mounting of Base

Note: Two vertical Data Chases can mount adjacently at the juncture of two frames if both are mounted inboard of the frame.

1. Install two hanger clips on one side of a frame vertically spaced 45" from the top of one clip to the next. Make sure clips are firmly seated in the hanger frame. (Figure 2)

2. Align the top and bottom most tapped holes of the clip with either of the three vertical sets of holes on one end of the base. An inboard mounting is shown in Figure 2, but the base could also be center mounted or mounted outboard of the frame.

3. Insert a #10-24x3/8" Phillips screw into each of the two holes and tighten loosely. (Figure 2)

4. Repeat steps 2 and 3 at the second hanger clip. Tighten all screws securely.

5. For offset mounted Data Chases, at each end of the chase, insert a #10-24x5/8" set screw into the tapped hole located on the opposite side of the base as the hanger clip screws. Tighten until the data chase no longer rotates in the hanger frame. (Figure 2)

6. For center mounted Data Chases, at each end of the chase, install two #10-24x5/8" set screws, one to the left and one to the right of the hanger clips screws, in the tapped holes of the base. Tighten until the data chase no longer rotates in the hanger frame.

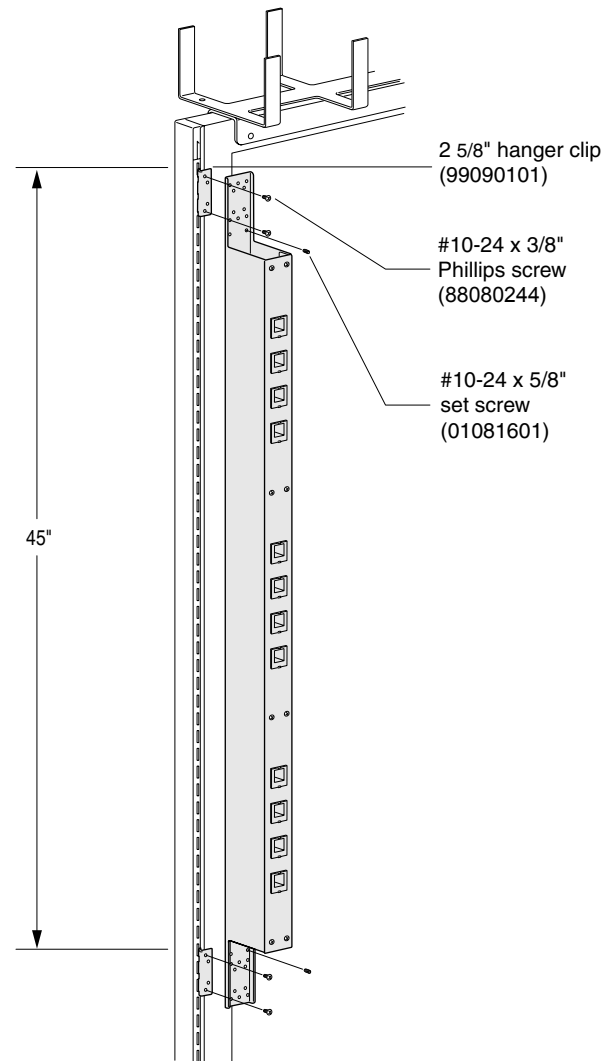


Figure 2

Vertical Captivator Inside Mounting of Base

Note: Vertical inside frame mounting of the Data Chase is only possible on 80" and 96" high Ultra Frames.

1. Align the top center hole in the base with the top captivator on the inside of the Ultra Frame tube and loosely install a 1/4-20x3/4" Phillips screw. (Figure 3)

12 PORT DATA CHASE, continued

2. Align the bottom center hole in the base with the lower captivator on the inside of the Ultra Frame tube and install a 1/4-20x3/4" Phillips screw. Tighten screw completely. (Figure 3)

3. Tighten screw at the top of the base.

Horizontal & Vertical Overlap Mounting of Base

Note: Horizontal hanger clip mounted Data Chases can be overlapped on top of vertical hanger clip mounted Data Chases or Cable Ring Ducts if the vertical component is mounted inboard of each end of the frame.

1. Install Data Chases or Cable Ring Ducts vertically inboard of a frame per the instructions above.

2. Align the upper and lower holes closest to one end of the Data Chase to be horizontally mounted with the two holes in the vertical component that are between the already installed screws. (Figure 4)

3. Install two #10-24x3/8" screws through the holes in the horizontal Data Chase and vertical component and into the tapped holes of the clip used to support the vertical Data Chase or Cable Ring Duct. (Figure 4)

4. Repeat step 2 and 3 on the other end of the horizontal Data Chase.

Installation of Cover

1. Install necessary data ports in the Avaya M1000PMC-B mounting collars that are assembled in the Data Chase covers.

2. Place cover over base aligning the eight holes in the cover with the tapped tabs of the base. Insert a #8-32x3/8" Phillips screw into the top left-most hole of the cover and secure loosely. Alternate inserting top and bottom screws as you work towards the right end of the cover. Insert the remaining screws and tighten all securely. Horizontally mounted Data Chase shown. Use same screw alternating process for vertically mounted Data Chase beginning with the top right hole of the cover. (Figure 5)

12 Port Data Chase Hardware Pack – DCHP (#0022102-01)

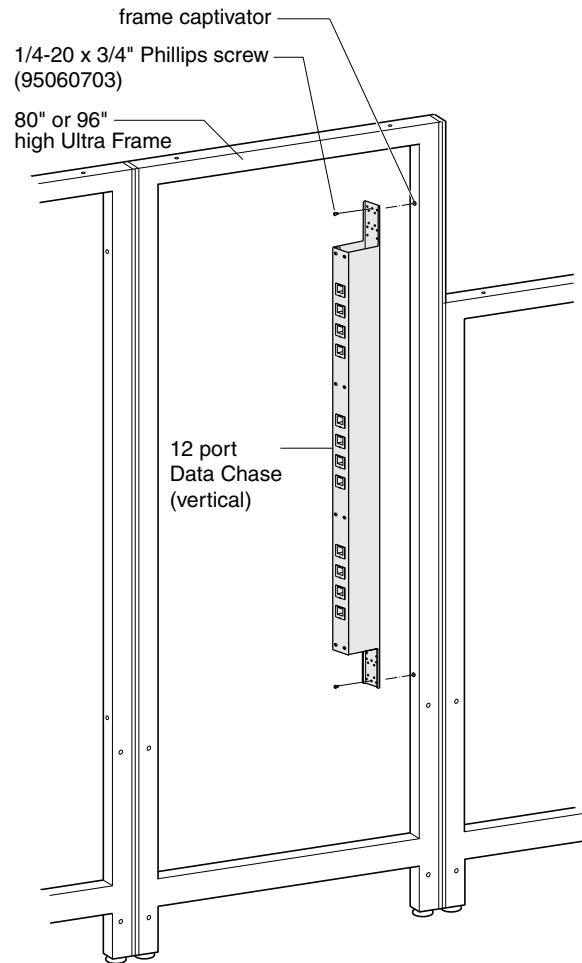


Figure 3

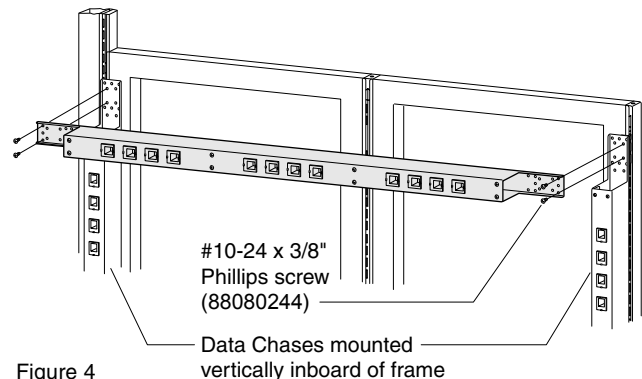


Figure 4

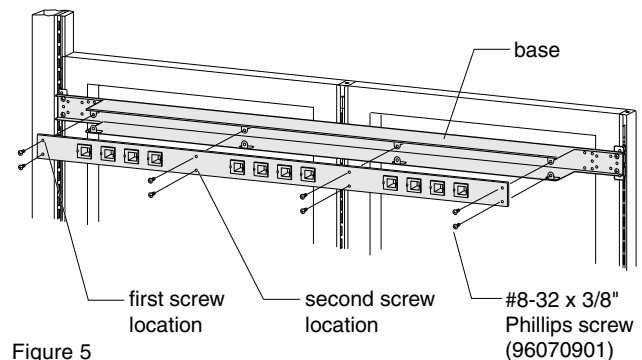


Figure 5

DATA CHASE CABLE ROUTER

Note: Cable Routers can only be used when the Data Chase is mounted vertically to captivators on the inside tube of a frame. Cable routers must be installed simultaneously with the Data Chase.

1. Align the large hole in the back of the Cable Router base with the top captivator on the inside tube of the Ultra Frame. The notched top of the Cable Router should fit snugly against the top tube of the frame. (Figure 6)
2. Insert the end of the Data Chase base up through the bottom of the Cable Router base and align the top center hole at the end of the Data Chase base with the same captivator on the Ultra Frame tube. Loosely install a 1/4-20x3/4" Phillips screw into the captivator. (Figure 6)
3. Finish installing the Data Chase as described on previous page.
4. Place the Cable Router cover on the base, aligning the four holes in the cover with the weldnuts on the Cable Router base. Insert a #8-32x3/8" Phillips screw into each hole and tighten securely. (Figure 6)

Data Chase Cable Router Hardware Pack – DCCRHP (#00022101-01)

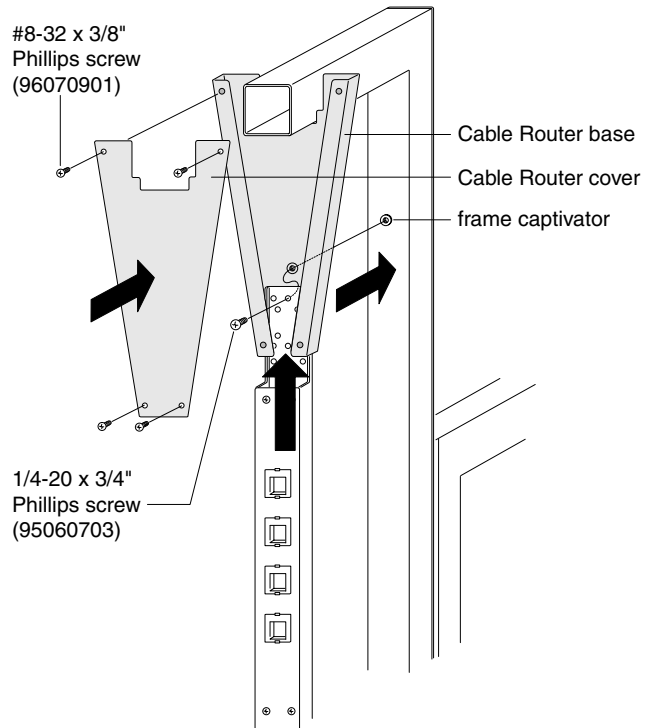


Figure 6