

WIREMOLD® DATA CHASE

Hanger Clip Mounting of Base

1. At designated mounting height, install hanger clips on the left and right hand sides of the frame. Make sure clips are firmly seated in the hanger frame. (Figure 1)

2. Align the top and bottom slots on each side of the base with the weldnuts in the hanger clips and install one of the #10-24x3/8" Phillips pan head machine screws in each weldnut. Leave a 1/16" - 1/8" gap between the head of the screw and the back of the base. (Figure 1)

3. Insert the Data Chase End Cover into the base inboard from the hanger clip screws with the notches pointing out of the base on each side. Slide end cover under hanger clip screws and tighten screws. (Figure 1)

Power/Data Bracket Mounting of Base

1. Install Power/Data Bracket onto frame according to instructions.

2. Align the four slots in the base with the four tapped holes in the extended tab of the upper Power/Data Bracket. (Figure 2)

3. Install two of the #10-24x3/8" Phillips pan head machine screws in either the two outer or two inner tapped holes. Leave a 1/16" - 1/8" gap between the head of the screw and the back of the base. (Figure 2)

4. Insert the Data Chase End Cover into the base inboard from the screws with the notches pointing out of the base on each side. Slide end cover under screws and tighten screws. (Figure 2)

5. Repeat steps 2 through 4 for the lower Power/Data Bracket.

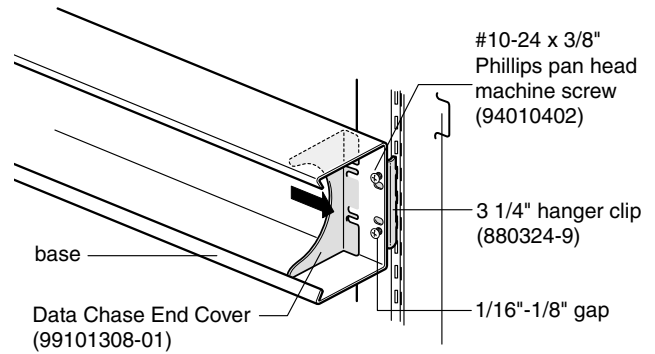


Figure 1

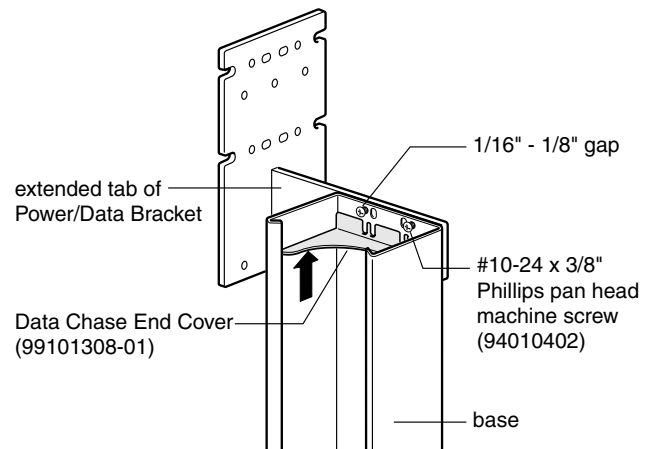


Figure 2

WIREMOLD® DATA CHASE, continued

Installation of Cover

1. Install necessary data ports and cabling in the Avaya M1000PMC-B mounting collars that are assembled in the Data Chase Covers.
2. Place covers on base, aligning the first cover with one end.
3. At each mounting clip location, loosen the pivoting #8-32x1/2" Phillips head screw that holds the mounting clip to the cover by at least 1/8". Do not remove screw completely. (Figure 3)
4. Loosen the stationary #8-32x1/2" Phillips head screw ensuring the mounting clip shifts to the unlatched position. (Figure 3)

5. With the cover in place on the base, tighten the stationary screw. As this screw is tightened, the pivoting screw should swing so that the two screws are parallel with the edge of the cover and the mounting clip should be latched to the base. Tighten both screws completely on all of the mounting clips in the cover. (Figure 3)

Wiremold® Data Chase End Cover Hardware Pack - WMDCHP-finish (#99101316-01-finish)

3 1/4" Hanger Clip Hardware Pack - HCP3 (#88081901)

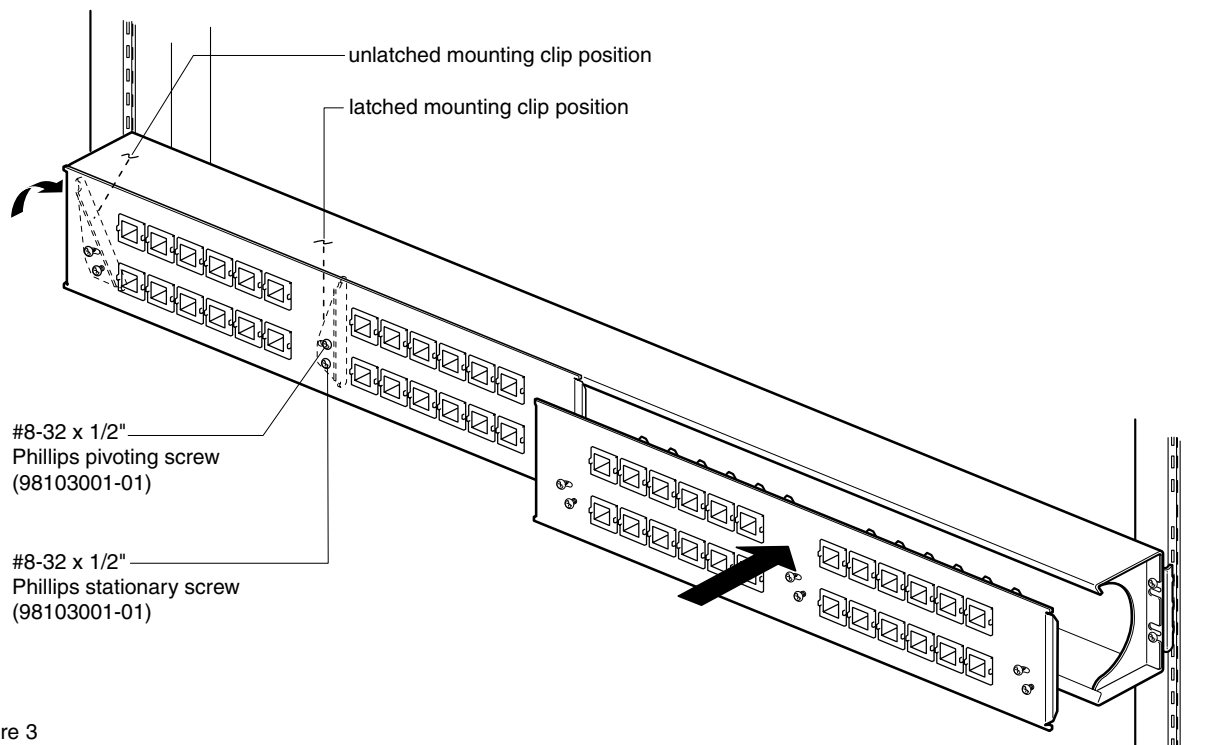


Figure 3