

Cable Ring Duct

Product Numbers

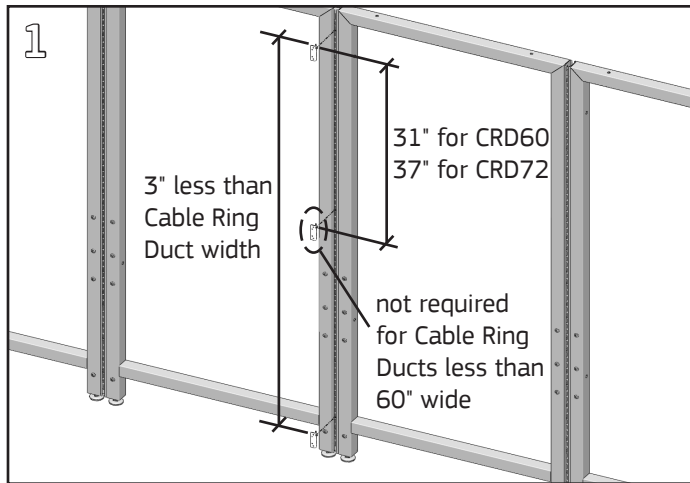
- CRDxx

Hardware Pack: CRD2HP (p/n 99090109) or CRD3HP (p/n 99090110)

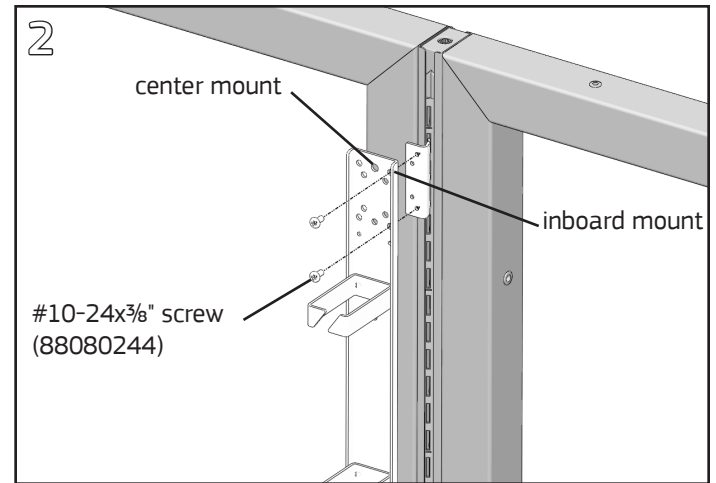
Required Tools

- #2 Phillips Screwdriver
- $\frac{3}{32}$ " Allen Wrench

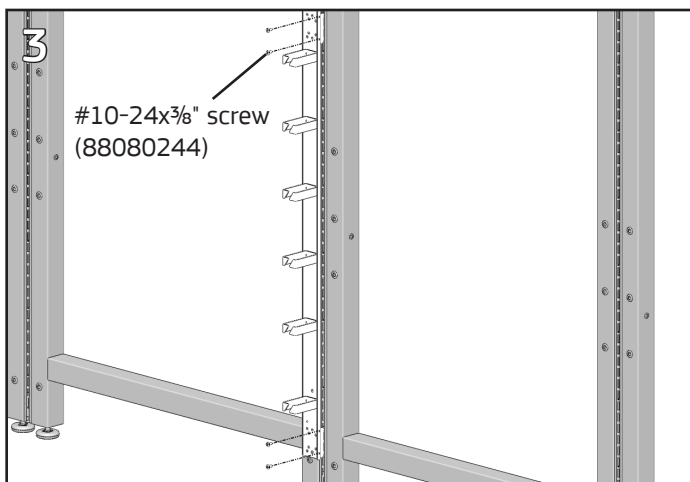
Vertical Clip Mounting Option



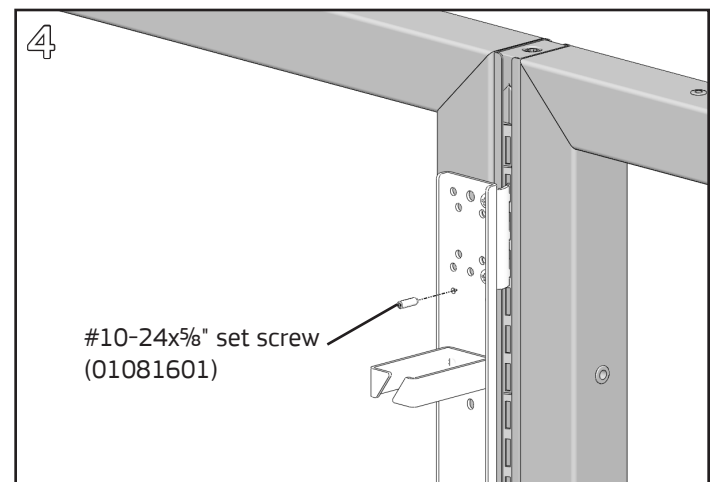
Install two or three hanger clips on one side of the frame depending on Cable Ring Duct width.



Align a set of 2" spaced holes in the top of the Cable Ring Duct with the top and bottom tapped holes in the hanger clip. The duct can be mounted inboard of the frame or center-mounted between frames. Fasten with (2) #10-24x $\frac{3}{8}$ " Phillips pan head screws using a #2 Phillips screwdriver.



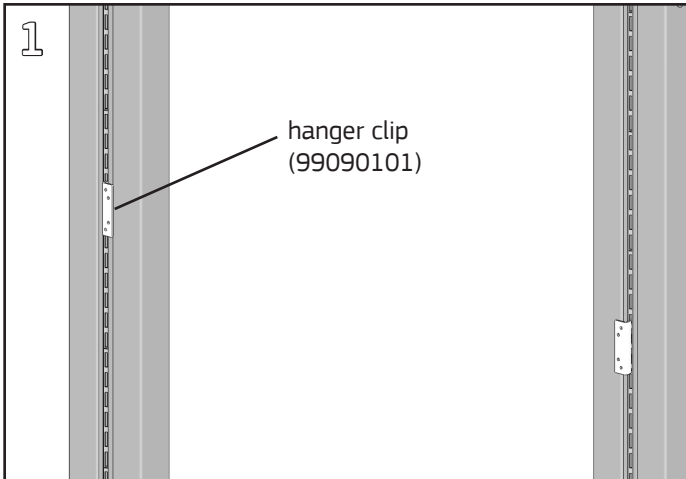
Repeat step two at the bottom of the Cable Ring Duct, and in the middle for 60" and 72" ducts.



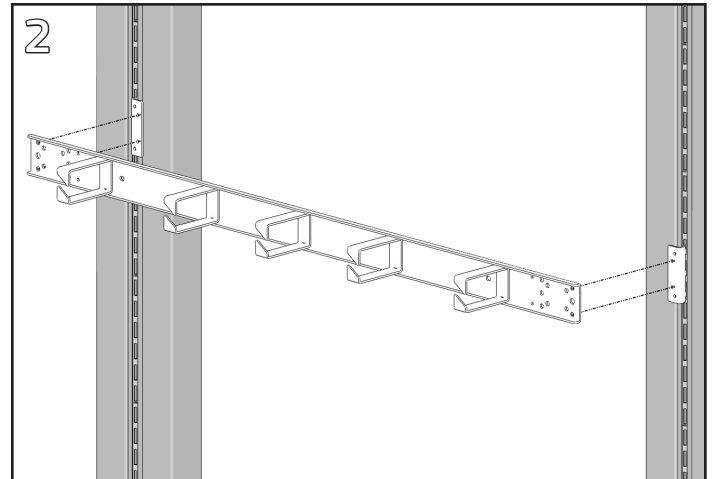
Install a #10-24x $\frac{5}{8}$ " set screw into a tapped hole near the top clip and tighten with a $\frac{3}{32}$ " Allen wrench until the set screw tip pushes against the UltraFrame. Repeat at bottom clip location.

Cable Ring Duct

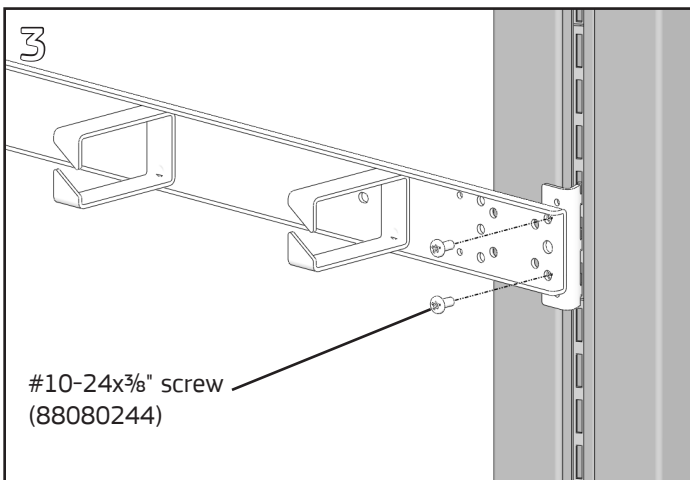
Horizontal Clip Mounting Option



1
Install a hanger clip on the left and right side of the frame at the designated mounting height.



2
Align the set of holes closest to the ends of the Cable Ring Duct base with the center holes of the hanger clips.

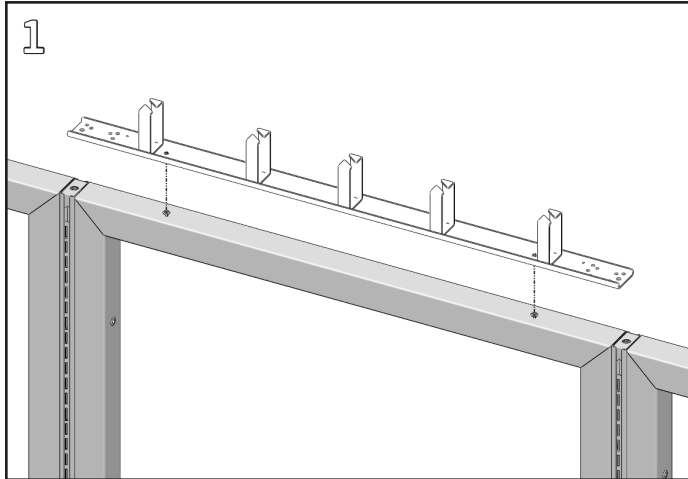


3
Fasten the Cable Ring Duct to the hanger clips with (2) #10-24x $\frac{3}{8}$ " Phillips pan head screws at each end using a #2 Phillips screwdriver.

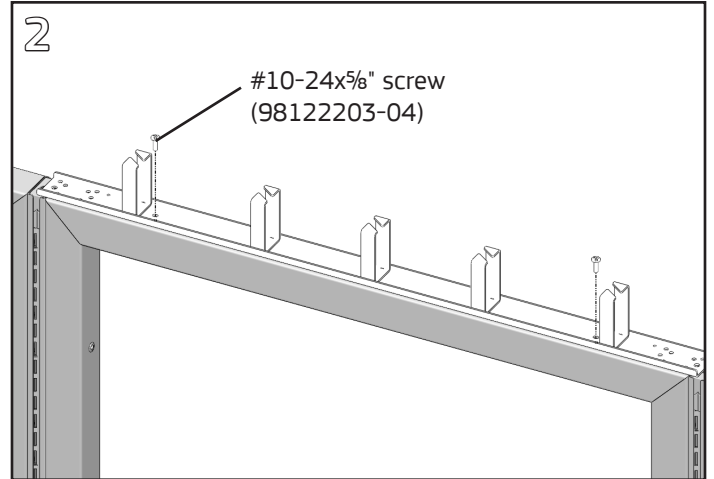
Note: Cable Ring Ducts may also be mounted horizontally by overlapping two Cable Ring Ducts mounted vertically inboard on the same frame. Align the same end holes as step two but use (2) #10-24x $\frac{5}{8}$ " Phillips pan head screws at each end to fasten.

Cable Ring Duct

Horizontal Top Mounting Option

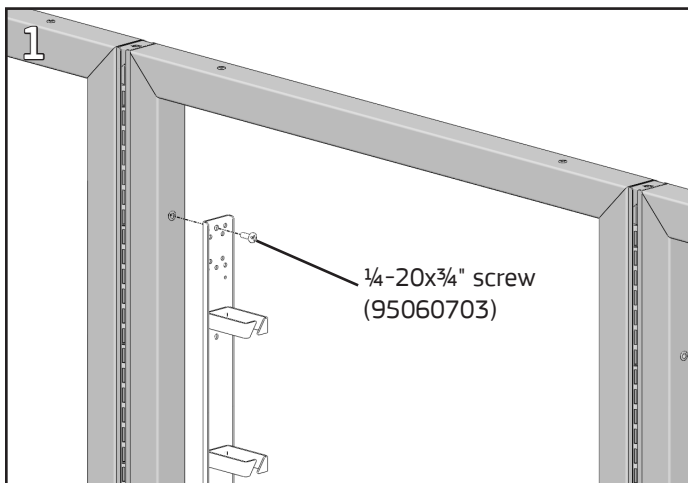


Center the Cable Ring Duct over the frame/frame run. Align the single centered slots near each end of the ring duct with the threaded inserts or knockouts in the top of the frame(s).

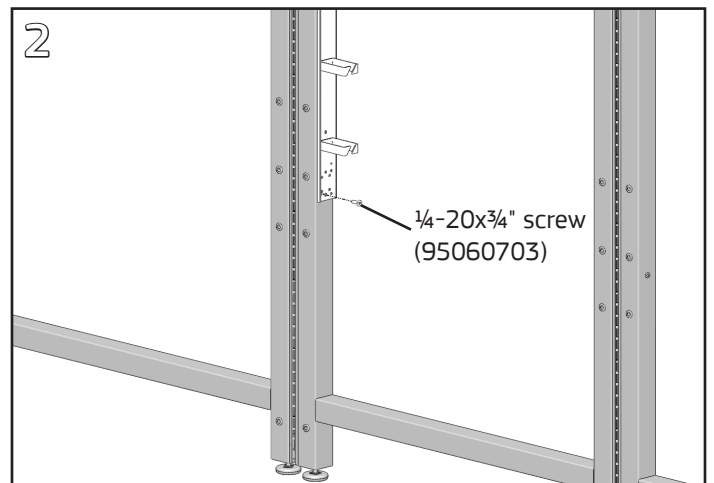


Fasten duct to the frame with a #10-24x $\frac{5}{8}$ " Phillips pan head screw at each end using a #2 Phillips screwdriver.

Vertical Inside Mounting Option



Align the center end hole in the Cable Duct with the top threaded insert on the inside of the UltraFrame tube. Loosely fasten with a $\frac{1}{4}$ -20x $\frac{3}{4}$ " Phillips pan head screw.



Align the bottom center end hole with the lower threaded insert on the inside of the UltraFrame tube. Fasten with (2) $\frac{1}{4}$ -20 screws. Tighten both screws fully with a #2 Phillips screwdriver.