

INSTALLATION INSTRUCTIONS

ERGOSTATS AND TABLES

ErgoStat Footrest, Glide Base Mount

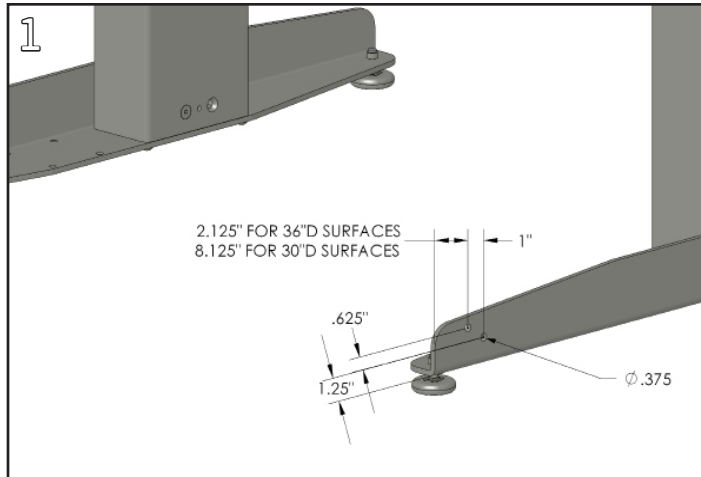
Product Numbers

- FRE36 thru FRE96

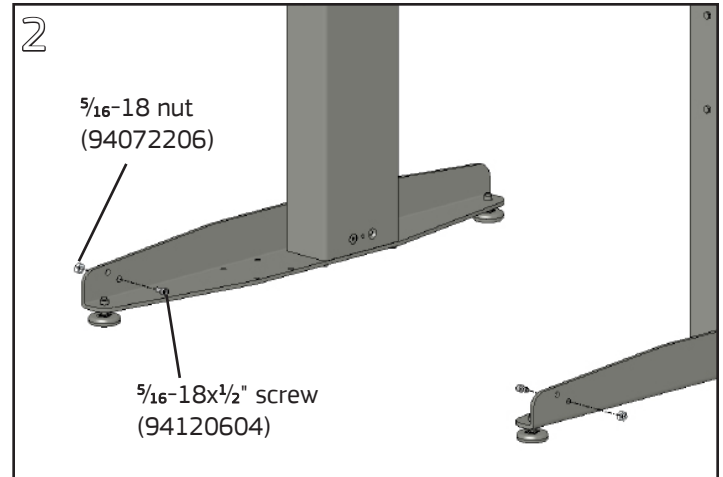
Hardware Pack: FREHP (96100801)

Required Tools

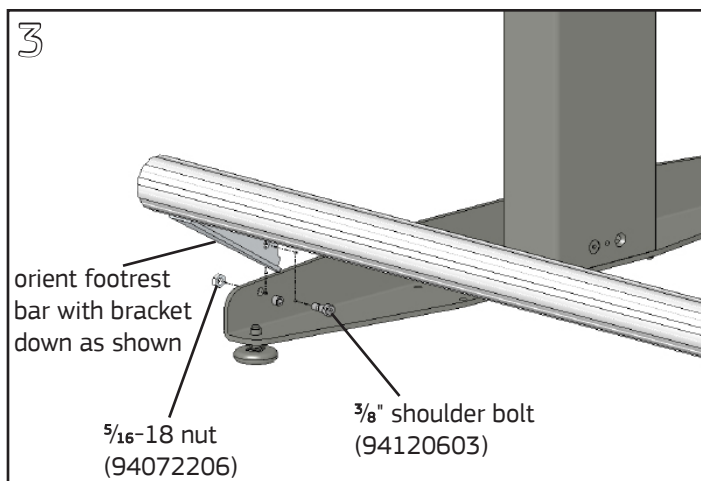
- $\frac{3}{8}$ " Drill Bit
- Drill
- $\frac{1}{2}$ " Wrench or Nutdriver
- $\frac{1}{4}$ " Allen Wrench
- $\frac{3}{16}$ " Allen Wrench



Drill two $\frac{3}{8}$ " diameter holes through the side of each glide base at the location shown.



Install a $\frac{5}{16}$ -18x $\frac{1}{2}$ " cap screw through the back hole of each glide base and fasten with a $\frac{5}{16}$ -18 nylock nut on the outward side of the base. Tighten fully with a $\frac{1}{4}$ " Allen wrench and $\frac{1}{2}$ " wrench or nutdriver.



Align holes in end of footrest bar with the front hole in each glide base. Fasten each end with a shoulder bolt and $\frac{5}{16}$ -18 nylock nut. Tighten fully with a $\frac{3}{16}$ " Allen wrench and $\frac{1}{2}$ " wrench or nutdriver. Footrest can be rotated forward (shown) or back.