

Ground Ball

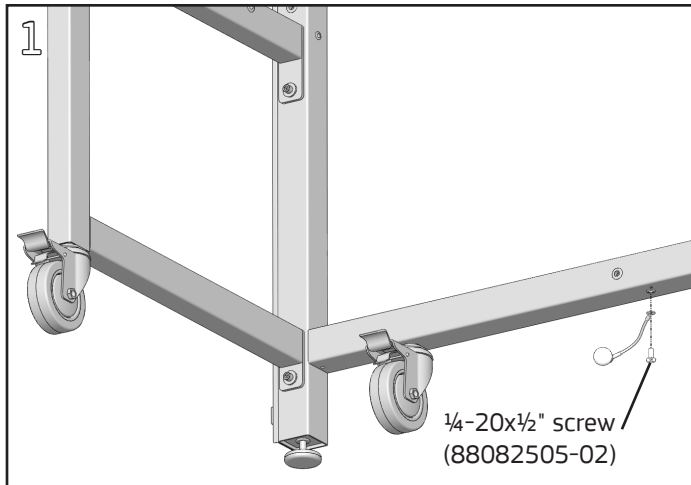
Product Numbers

- GBAL6

Hardware Pack: none

Required Tools

- #2 Phillips Screwdriver



Locate the threaded insert or hole at the center underside of the bottom tube of the UltraFrame. Fasten ring terminal of Ground Ball to frame with a $\frac{1}{4}$ -20x $\frac{1}{2}$ " Phillips pan head screw using a **#2 Phillips screwdriver**.