

## Cable Duct, Vertical-Mount

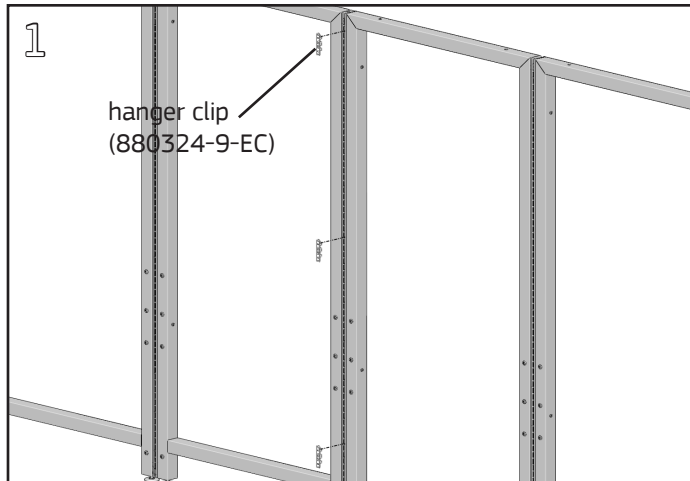
### Product Numbers

- CDFV72

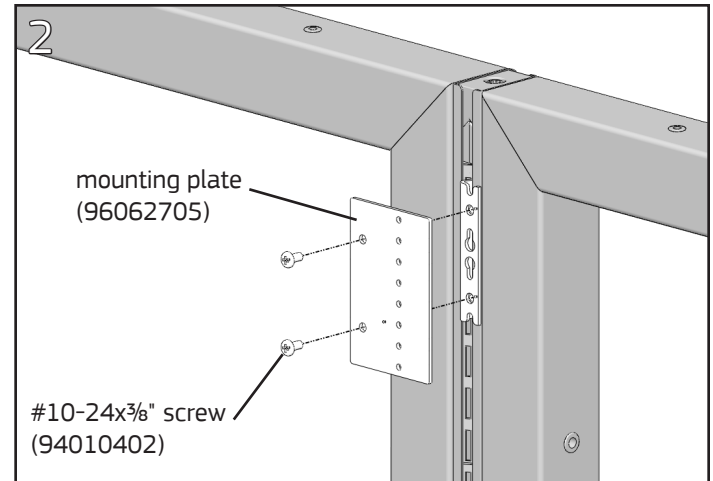
Hardware Pack: FMDVHP (p/n 96101804)

### Required Tools

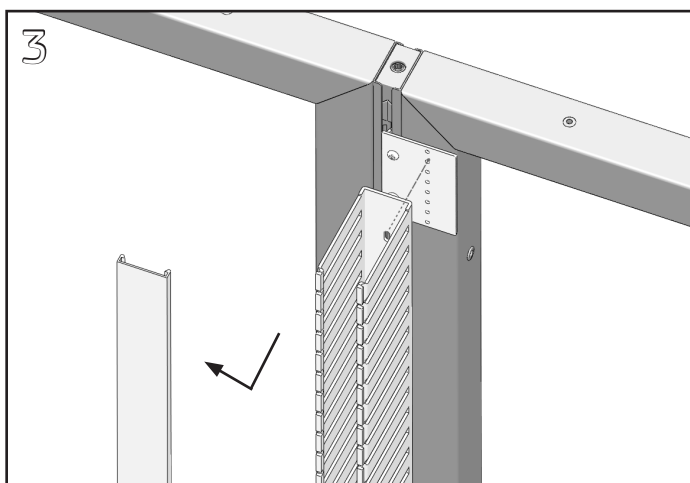
- #2 Phillips Screwdriver



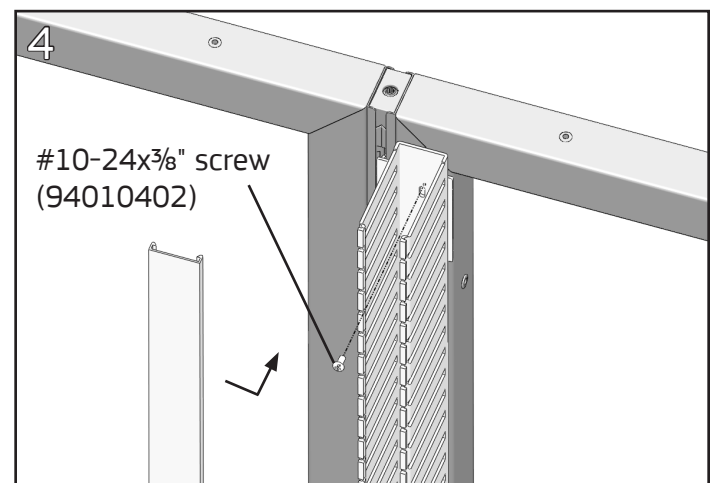
1 Install a hanger clip in one side of the frame at the top, near the middle, and at the bottom where the Cable Duct will be located.



2 Attach a mounting plate to each hanger clip using (2) #10-24x<sup>3</sup>/<sub>8</sub>" Phillips pan head screws using a #2 Phillips screwdriver.



3 Remove the duct cover to access the slots in the back of the duct base. Align a slot at each mounting plate location with one of the tapped holes in the plate.



4 Fasten duct to each plate with a #10-24 screw using a #2 Phillips screwdriver. Replace cover after cable lay-in is complete.