

## Mobile Cart Handles

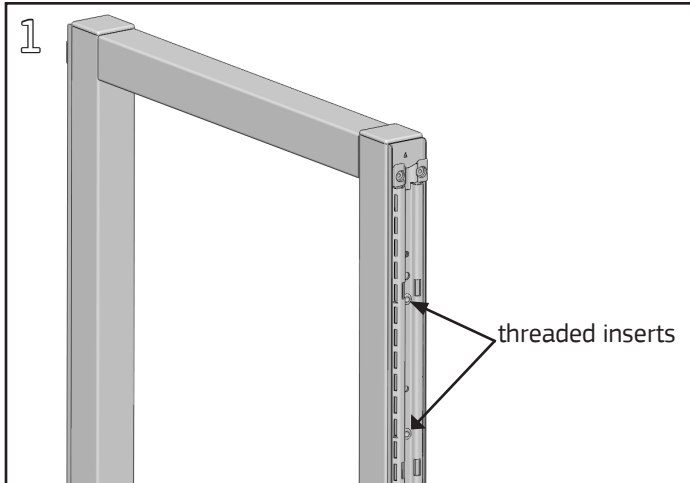
### Product Numbers

- MCHS

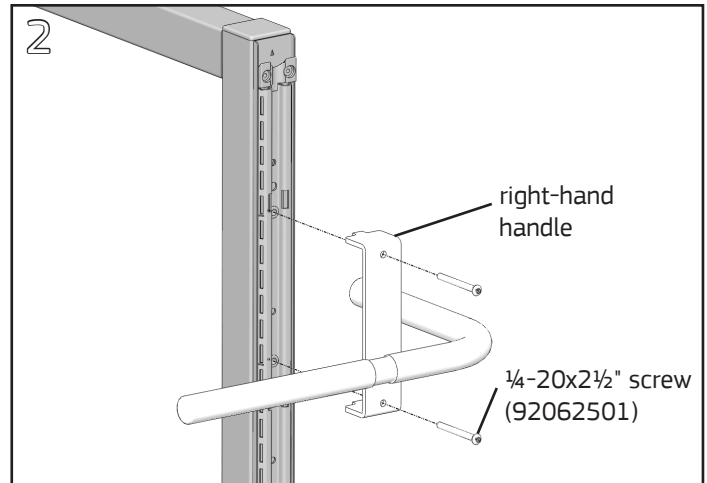
Hardware Pack: MCHSHP (p/n 92061001)

### Required Tools

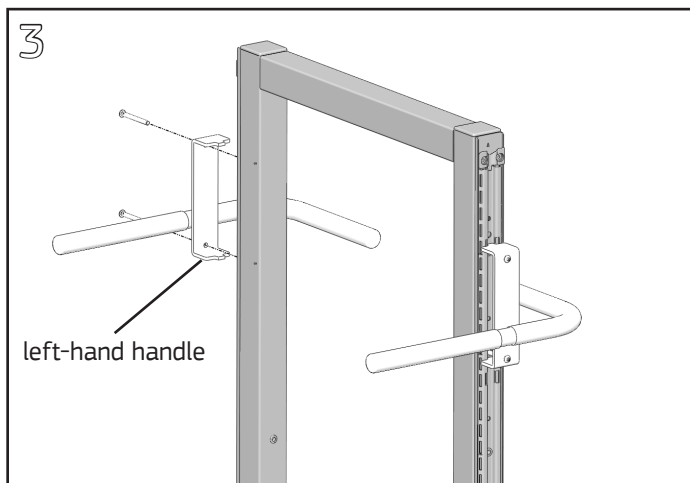
- $\frac{5}{32}$ " Allen Wrench



Handles will mount in the 6" spaced threaded inserts on the end of the Mobile Cart; determine mounting height of handles.



Align holes in right-handed handle with the threaded inserts and fasten with (2)  $\frac{1}{4}$ -20x2 $\frac{1}{2}$ " socket button head cap screws using a  $\frac{5}{32}$ " Allen wrench.



Repeat on opposite side of the Mobile Cart with left-handed Mobile Cart Handle.