

Variable Height End Cover

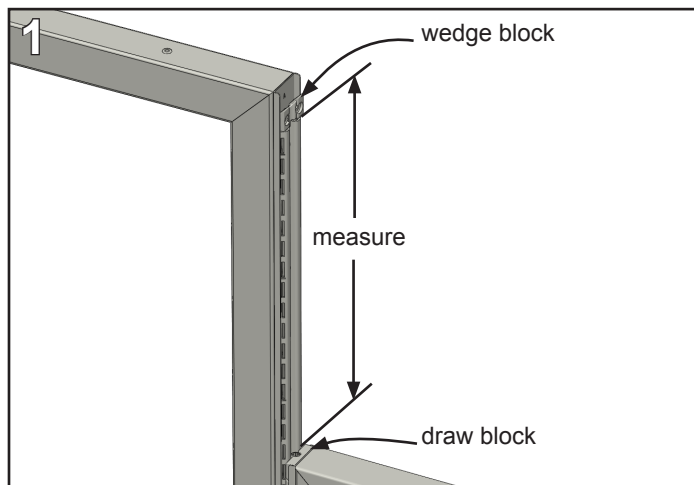
Product Numbers

- VEC

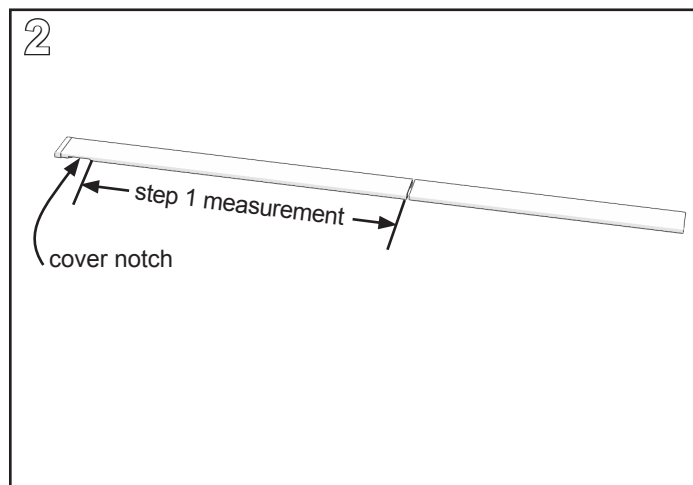
Hardware Pack: none

Required Tools

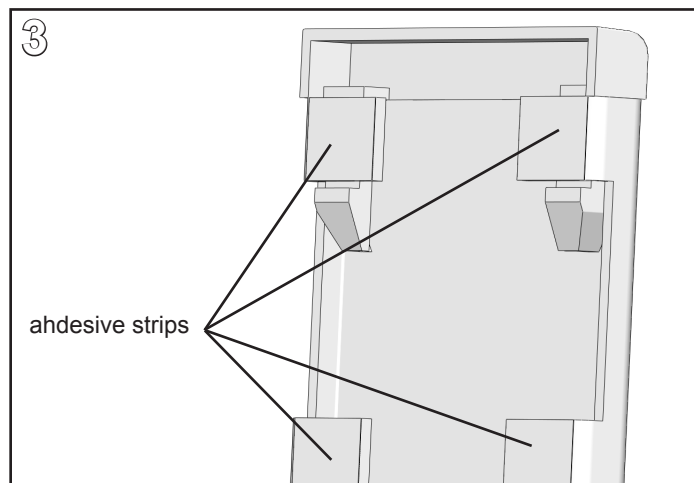
- Hacksaw



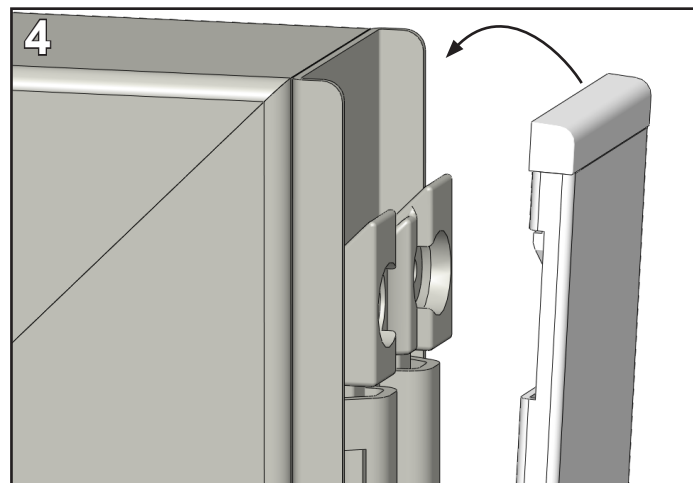
Measure from top panel connector draw block to the bottom of wedge block.



Using measurement taken in Step 1, measure from the bottom of cover notch and mark for cut. Cut at mark using **Hacksaw**.

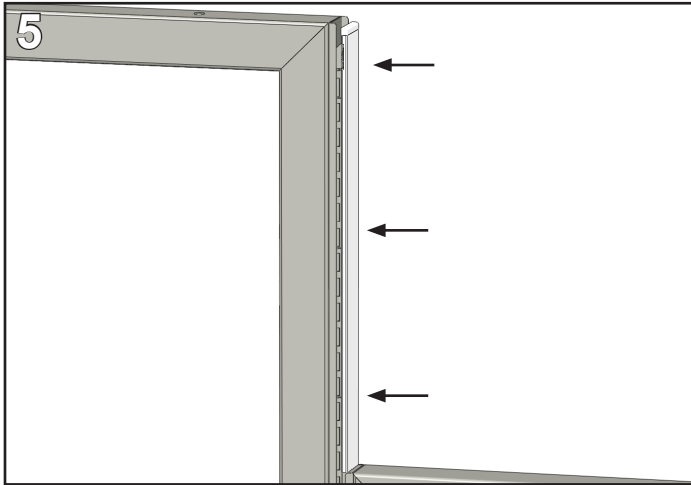


Remove protective backing from adhesive strips.



Align bottom of cover with lower draw block and rock into place.

Variable Height End Cover



Apply light pressure along the length of the cover to ensure even adhesion.