

Mid End Cover

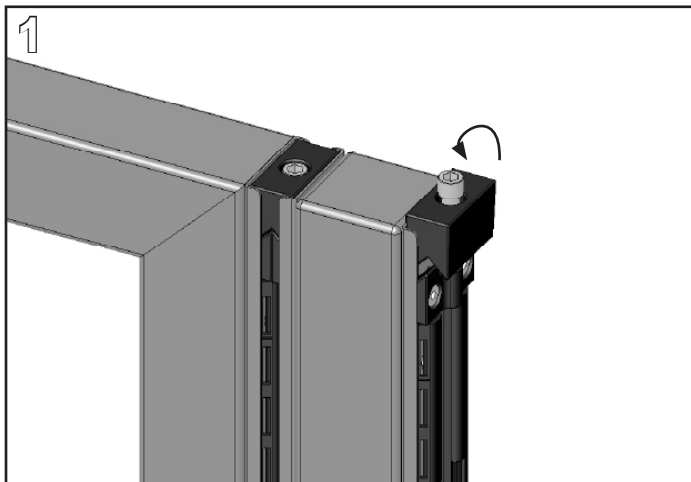
Product Numbers

- MECxx

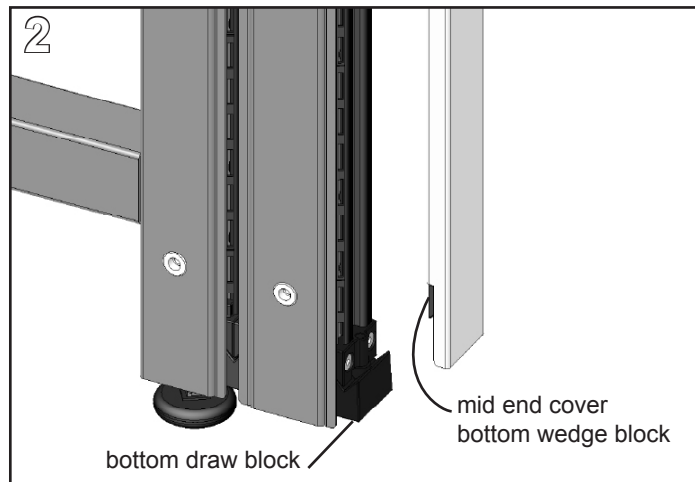
Hardware Pack: none

Required Tools

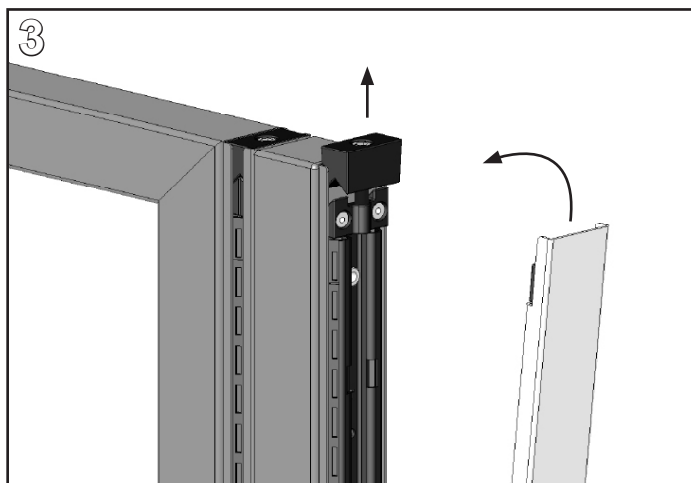
- 1/4" Allen Wrench or 1/4" Hex Bit with driver



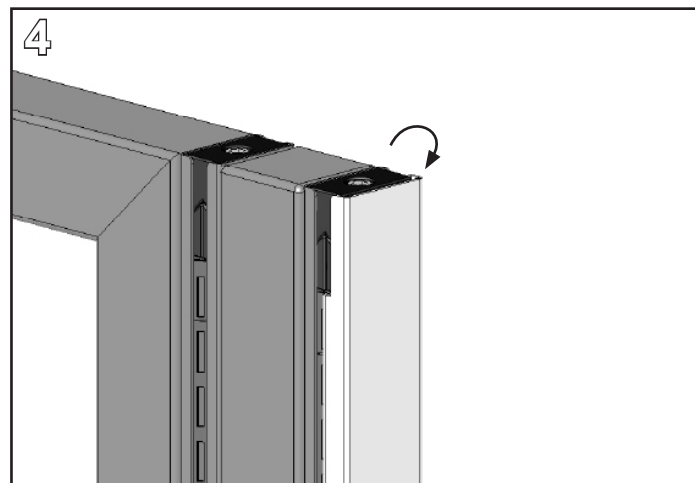
On the end of the connector, loosen the allen screw at the top of the with a 1/4" **Allen wrench**, pulling up on the draw block until it clears the top wedge block of the connector.



Place the bottom wedge block of the Mid End Cover over the bottom draw block of the connector.



Pull up on the top draw block of the connector and rotate the Mid End Cover toward the connector so the wedge blocks are aligned.



Drop the top draw block over both wedge blocks and tighten with a 1/4" **Allen wrench**. *Note: Overtightening the top Allen screw may cause the end cover to bow.*