

Joiner Plates

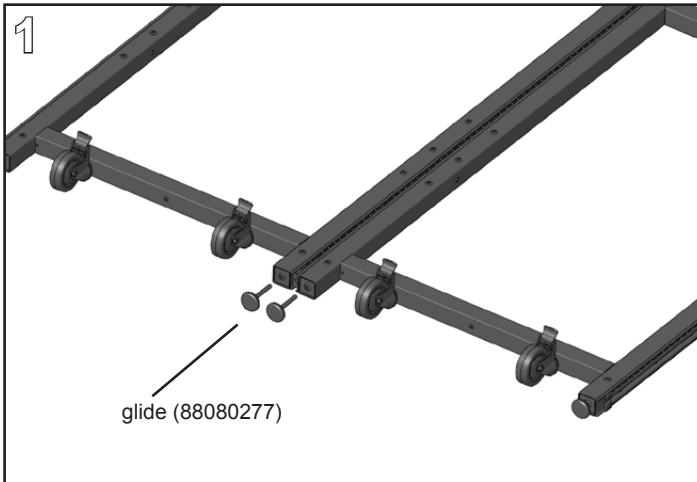
Product Numbers

- JPL2BK
- JPL390BK
- JPL3BK
- JPL90BK

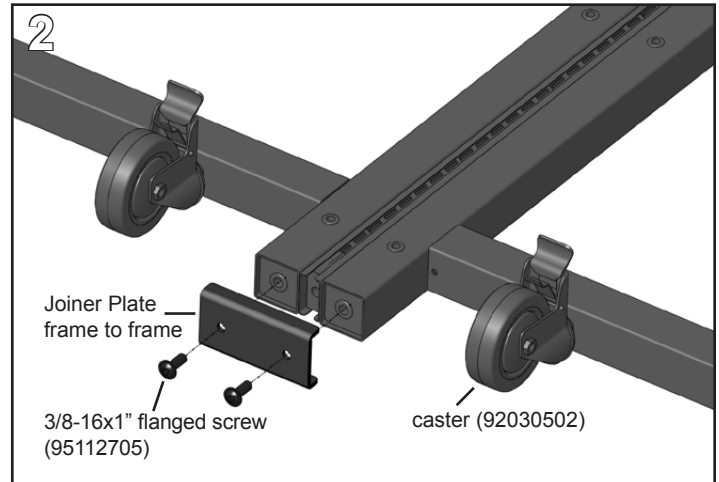
Required Tools

- 7/32" Allen Wrench or 7/32" Hex Bit with driver

Hardware Pack: none



Connect UltraFrame with Panel Connector, Connector Post, or Corner Connector per connection product instructions. Lay frames down on a clean surface and remove glides at frame joint (save glides for future use).



Bolt Joiner Plate into the threaded inserts on the bottom of each UltraFrame with a 3/8-16x1" flanged button head screw at each hole location in the Joiner Plate. Tighten securely using a 7/32" Allen Wrench/bit.