

### Height Change Panel Connectors

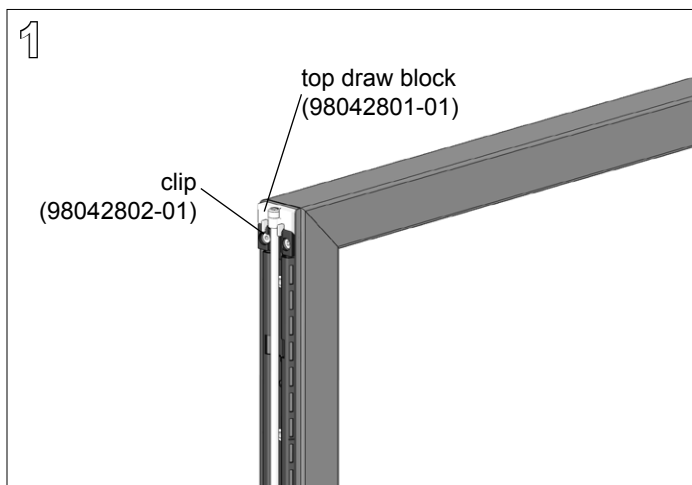
**Product Numbers**

- PCHxx

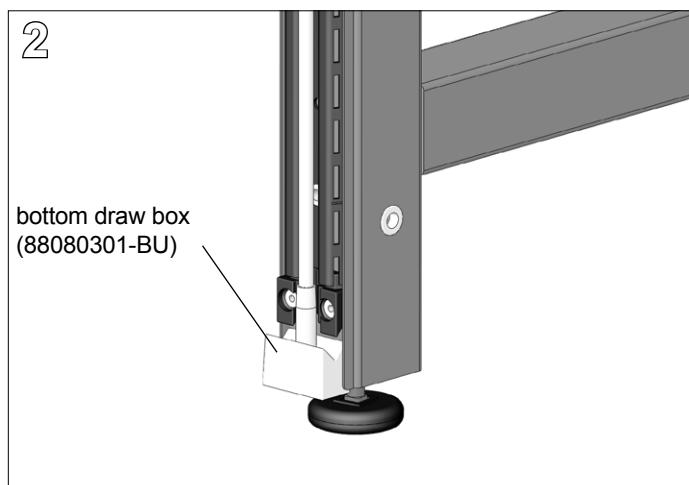
**Hardware Pack:** none

**Required Tools**

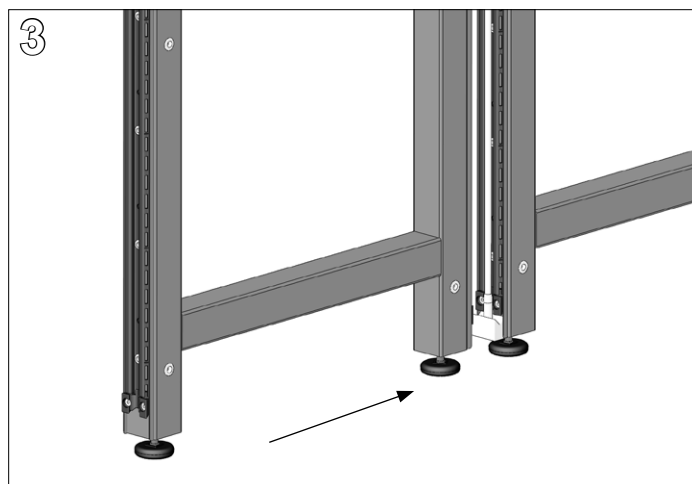
- 1/4" Allen Wrench or 1/4" Hex Bit with driver



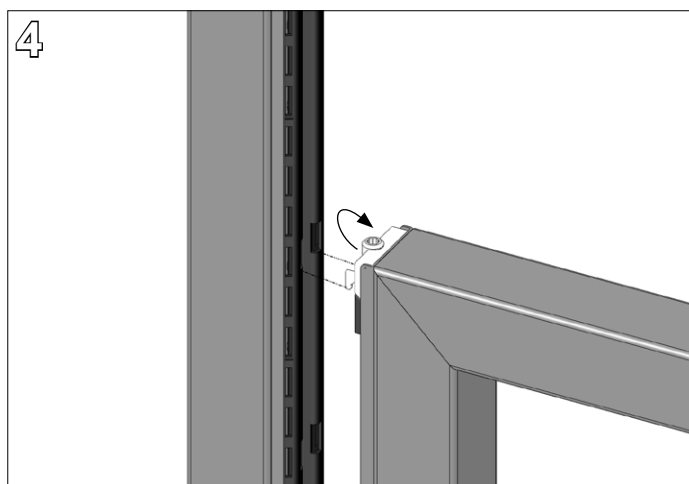
Place the change of height block connector on the top wedge block of the shorter frame.



Loosen the Allen screw in the top of the connector using a 1/4" Allen wrench until the bottom draw block of the connector clears the bottom wedge block of the frame.



Align the taller frame with the shorter frame so the bottom draw block of the connector is below the bottom wedge block of both frames.



Lift the change of height block slightly off of the top wedge block of the shorter frame and insert the hooks into the slots in the hanger frame of the taller frame. Tighten the Allen screw in the top of the connector to 6-14 ft-lbs., ensuring the bottom draw block captures both bottom frame wedge blocks.