

Tote Bearers

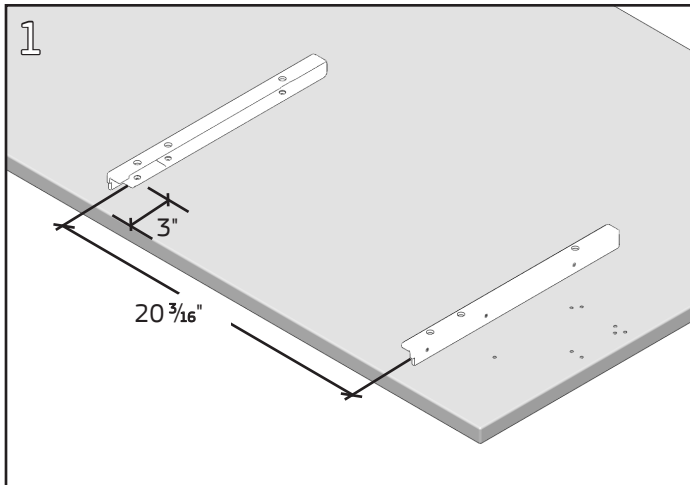
Product Numbers

- TBDT

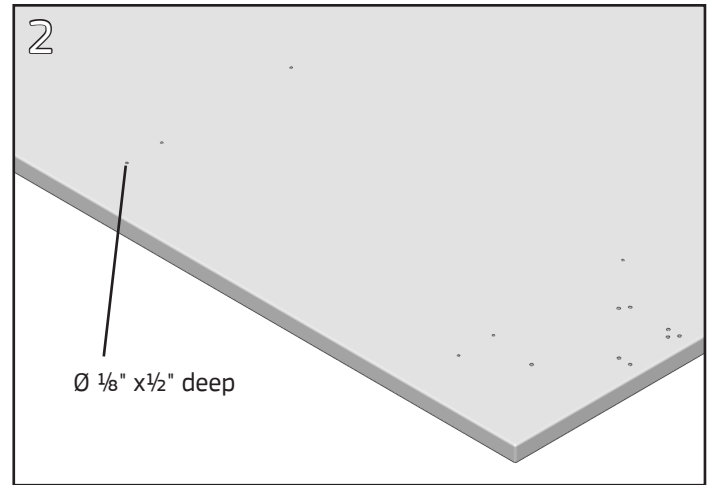
Hardware Pack: TOTEBHP (p/n 93122302)

Required Tools

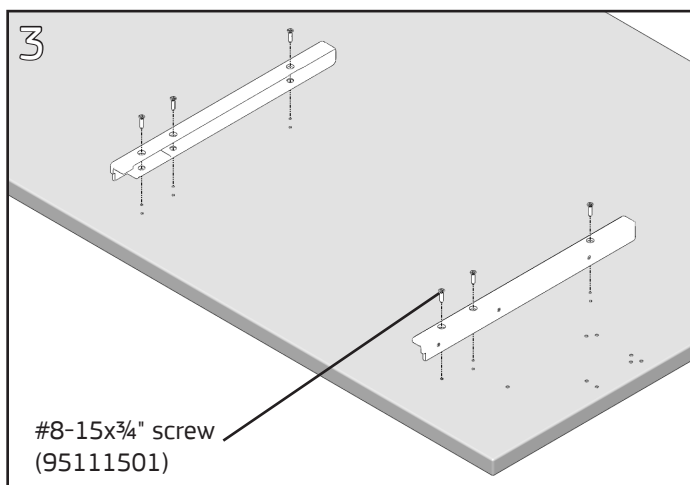
- 1/8" Drill Bit
- #2 Phillips Bit
- Cordless Drill/Driver



Determine position for Tote Bearer on underside of surface. The front holes of the drawer bearers should be positioned 3" from the front edge of the surface and spaced 20 3/16" apart. Mark hole locations using drawer bearers.



Using a 1/8" drill bit and cordless drill, drill 1/2" deep holes at the marked locations.



With open end of Tote Bearers facing the front of the surface, attach each bearer with (3) #8-15x3/4" Phillips flathead screws using a #2 Phillips bit and cordless drill.