

## Panel End Cover

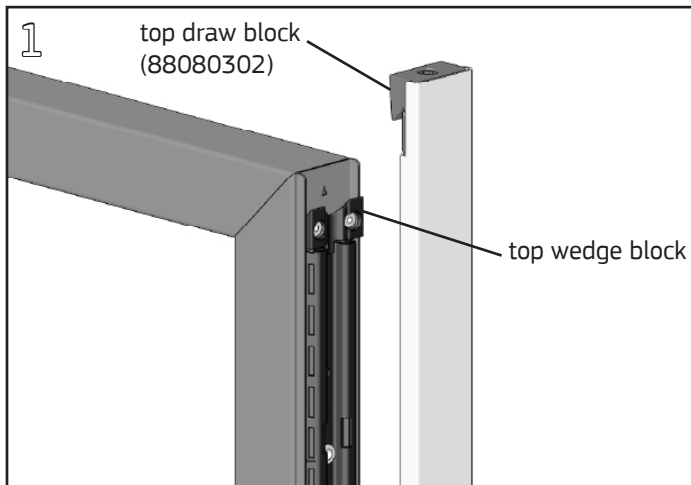
### Product Numbers

- ECxx

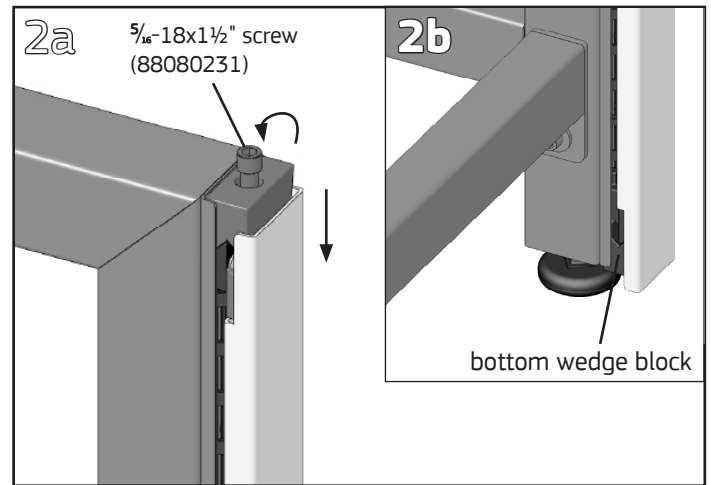
Hardware Pack: none

### Required Tools

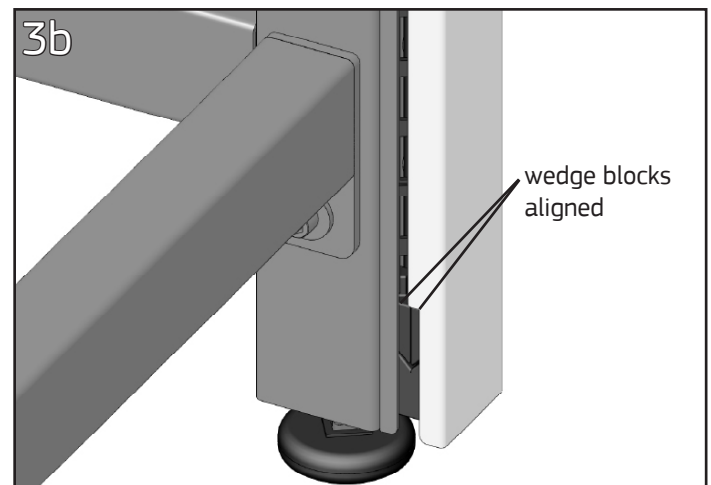
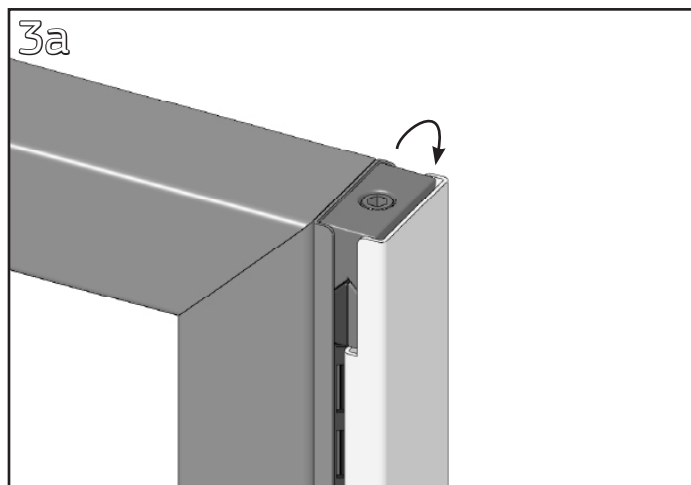
- ¼" Allen Wrench or ¼" Hex Bit with driver



On the end of the frame, place the Panel End Cover top draw block over the top wedge block of the UltraFrame.



Loosen the Allen screw at the top of the End Cover with a ¼" **Allen wrench** (2a) until the bottom draw block of the end cover clears the bottom wedge block of the UltraFrame (2b).



Tighten the Allen screw in the top of the Panel End Cover (3a), ensuring that the end cover bottom draw block captures the UltraFrame bottom wedge block (3b). *Note: Overtightening the top allen screw may cause the end cover to bow.*