

Panel Connectors

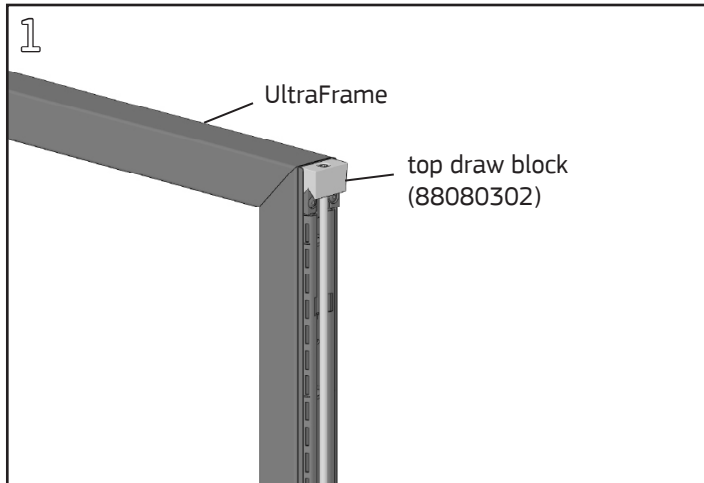
Product Numbers

- PCxx

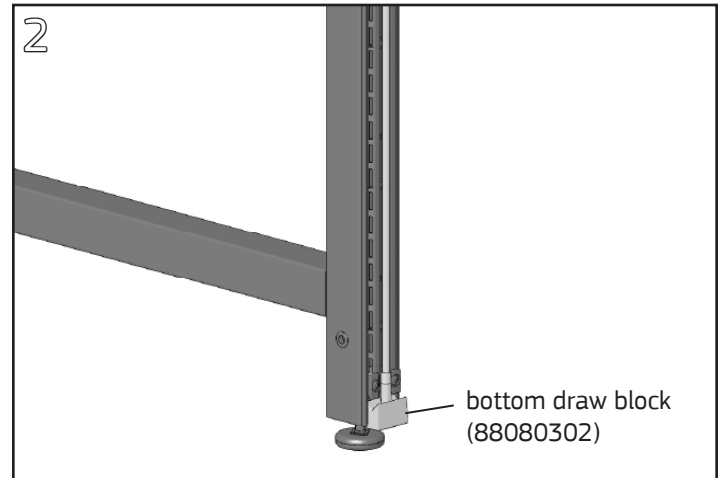
Hardware Pack: none

Required Tools

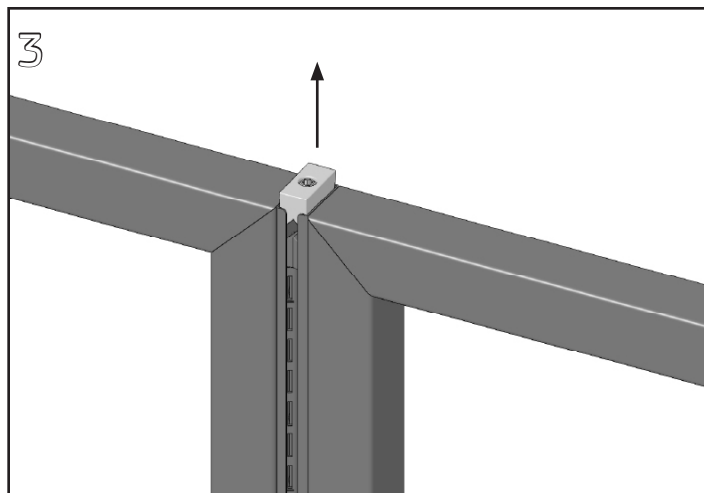
- ¼" Allen Wrench or ¼" Hex Bit with driver



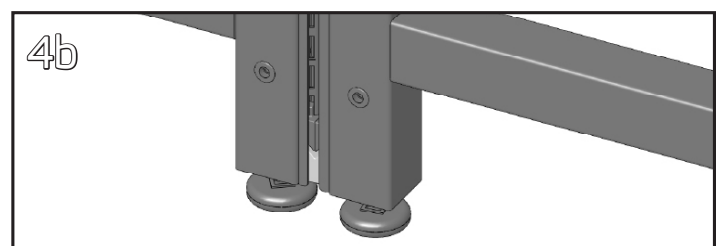
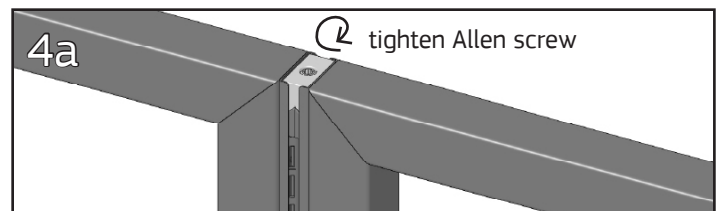
Place the top draw block of the Panel Connector on the top wedge block of the first frame.



Loosen the Allen screw in the top of the Panel Connector using a ¼" Allen Wrench bit until the bottom draw block clears the bottom wedge block of the frame.



Align the second frame with the first frame so the top and bottom wedge blocks are aligned and in contact. Lift the top draw block of the panel connector so it rests on both top frame wedge blocks.



Tighten the Allen screw in the top of the Panel Connector ensuring the Panel Connector top and bottom draw blocks capture both top and bottom frame wedge blocks.