

Corner Laminate Shelf

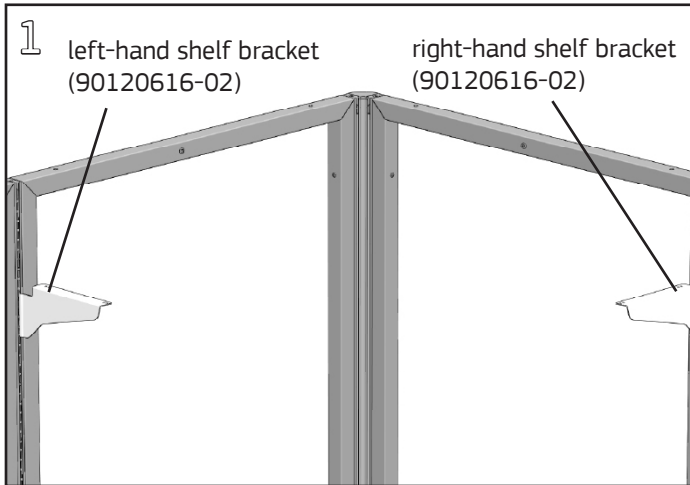
Product Numbers

- CSL
- CSD

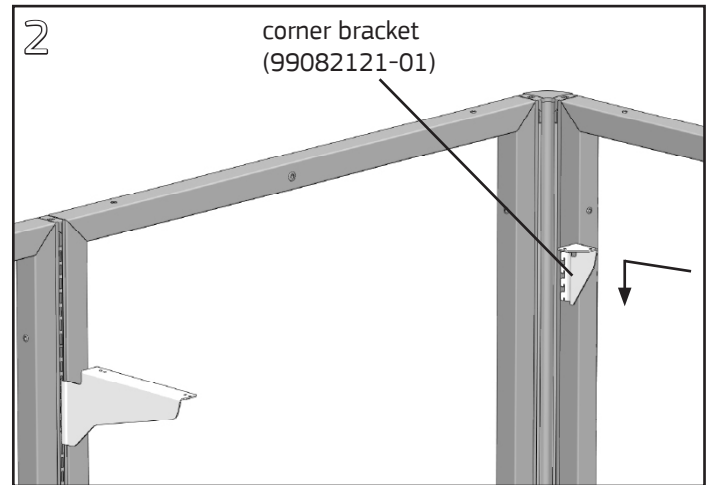
Hardware Pack: SFAHP (p/n 96011201) and SPTB12.3xx (p/n 99010502-xx)

Required Tools

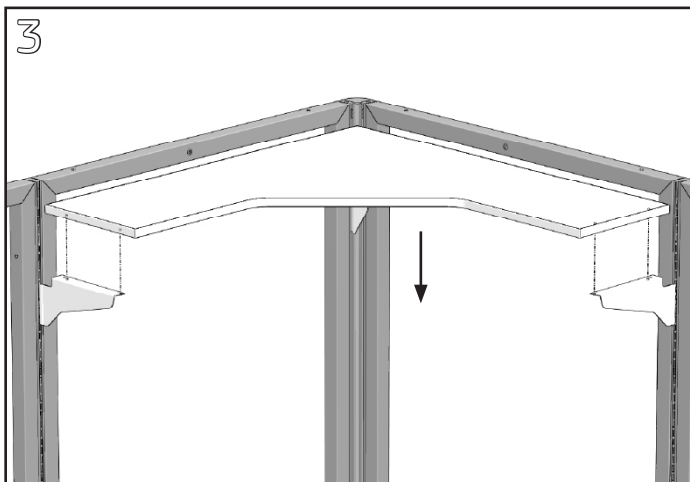
- #2 Phillips Screwdriver and/or #2 Phillips Bit
- Cordless Drill/Driver



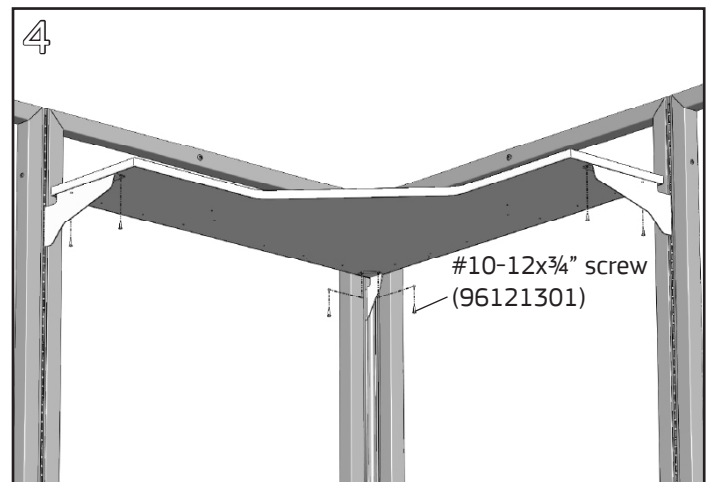
Engage right-hand shelf bracket in right corner frame at designated height. Push the support down to ensure the brackets are firmly seated in the hanger frame slots. Repeat with left-hand shelf bracket on left side of corner.



Insert the corner bracket into the hanger frame nearest the corner connector on the left hand frame. Verify the height of the corner bracket is the same as the bracket in step 1.



Place the shelf over all three brackets. Align the pre-drilled holes in the underside of the laminate shelf with the front set of holes in the left and right-hand supports and the two holes in the corner bracket.



Secure the shelf to supports with two #10-12x3/4" Phillips pan head screws per bracket.