

Center Shelf Adjustable Angle

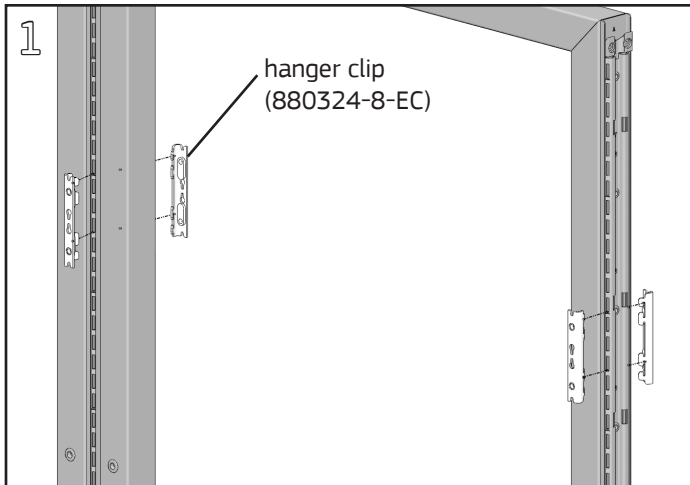
Product Numbers

- CSAxx

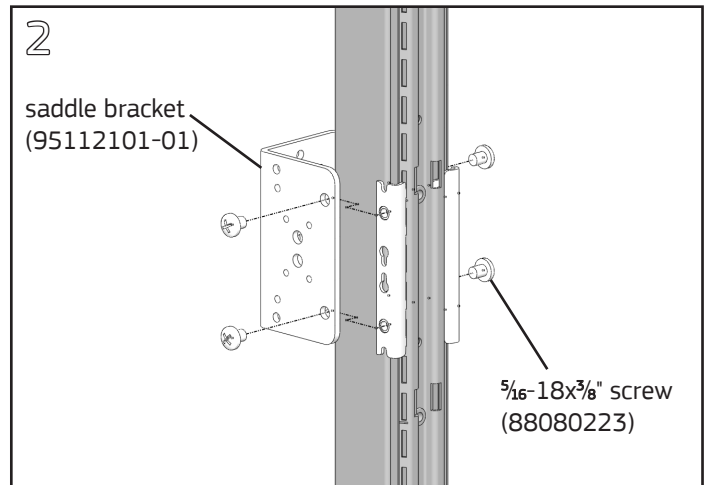
Hardware Pack: CSAHP (p/n 96032602)

Required Tools

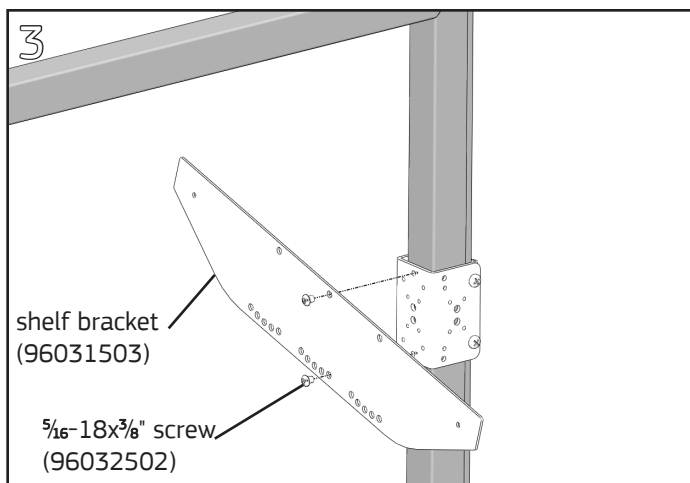
- $\frac{5}{32}$ " Allen Wrench
- $\frac{3}{16}$ " Allen Wrench
- #2 Phillips Screwdriver
- #3 Phillips Screwdriver



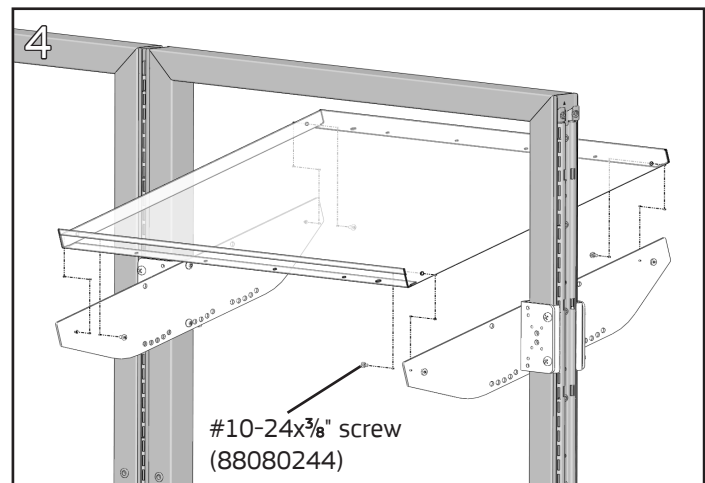
Install two hanger clips at the same height, one on the front and the other on the back of the hanger frame, on both the left and right sides of the frame. Ensure the clips are firmly seated in the slots.



Place a saddle bracket over each pair of clips. Fasten the bracket to the clips with (4) $\frac{5}{16}$ -18x $\frac{3}{8}$ " Phillips pan head screws using a #3 Phillips screwdriver.

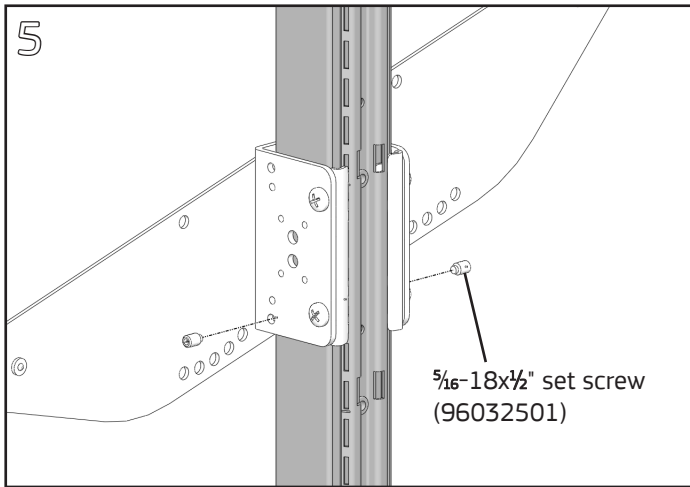


Determine the shelf position and angle. With shelf bracket weldnuts facing outward, fasten each shelf bracket to a saddle bracket with (2) $\frac{5}{16}$ -18x $\frac{3}{8}$ " button head cap screws using a $\frac{3}{16}$ " Allen wrench.



Position shelf between the shelf brackets, aligning the holes in the sides of the shelf with the weldnut holes in the shelf brackets. From beneath the shelf, fasten to each bracket with (2) #10-24x $\frac{3}{8}$ " Phillips pan head screws using a #2 Phillips screwdriver.

Center Shelf Adjustable Angle



Secure each saddle bracket to the vertical tube of the frame by installing (2) 5/16-18x1/2" nylon tip set screws, one on the front and one on the back of the saddle bracket, using a 5/32" Allen wrench.