

Cable Tray - Universal

Product Numbers

- CTUx

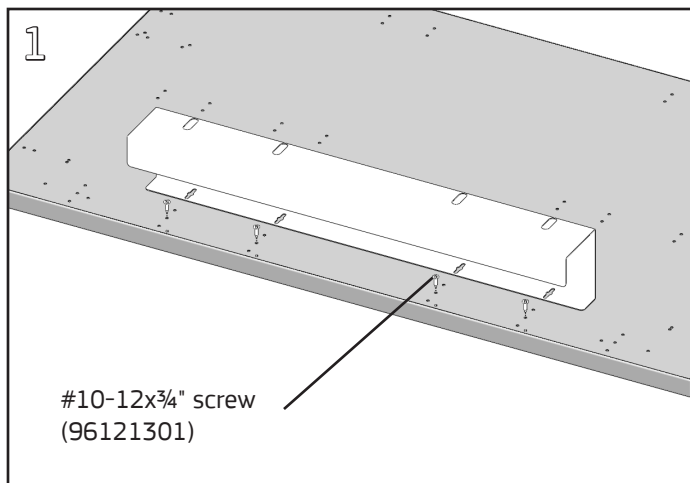
Hardware Pack: SFAHP (p/n 96011201)

WARNING: Do not tighten #10-12 surface screws more than 25 in-lbs. in laminated surfaces or 40 in-lbs. in phenolic surfaces.

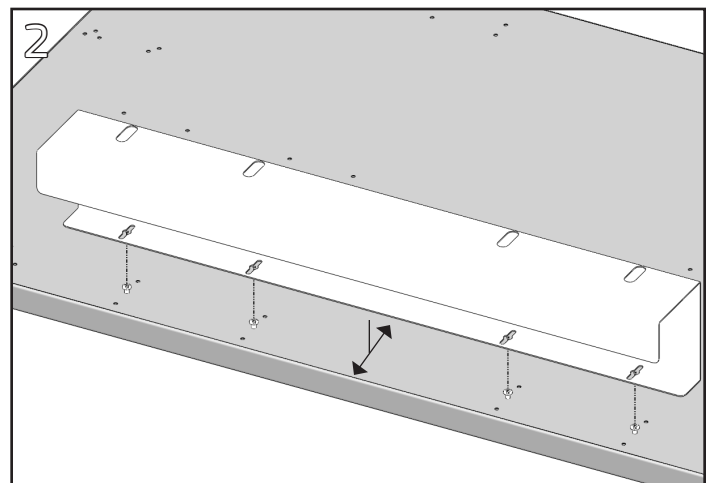
Note: If assembling a Cable Tray and a Back Stop on the same surface, position the Back Stop on the surface before proceeding with step one below.

Required Tools

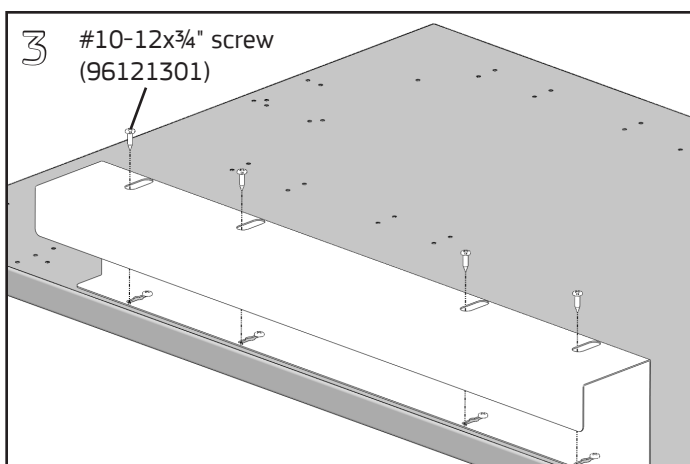
- #2 Phillips Bit
- Cordless Drill/Driver



Center the Cable Tray over the width of the surface on the underside near the back edge and identify the holes that line up with the tray slots. Install #10-12x $\frac{3}{4}$ " Phillips pan head screws in the middle location of each three-hole pattern, leaving a $\frac{3}{16}$ " gap between the surface and screw head.



Align the middle hole of the Cable Tray keyslot with the installed screws. Slide the tray forward for Ergo-Stat positioning, or towards the back of the surface for UltraFrame positioning.



Install an additional #10-12 screw at each slot location. Fully tighten all screws securely with a **cordless drill** and **#2 Phillips bit**.