

Pegboard

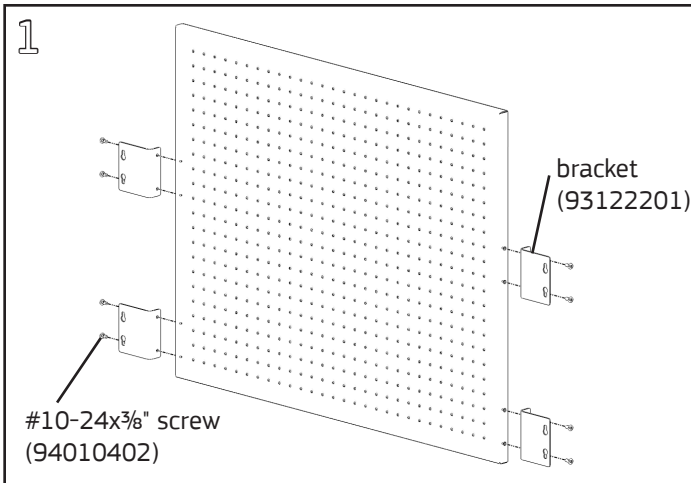
Product Numbers

- PB24xx

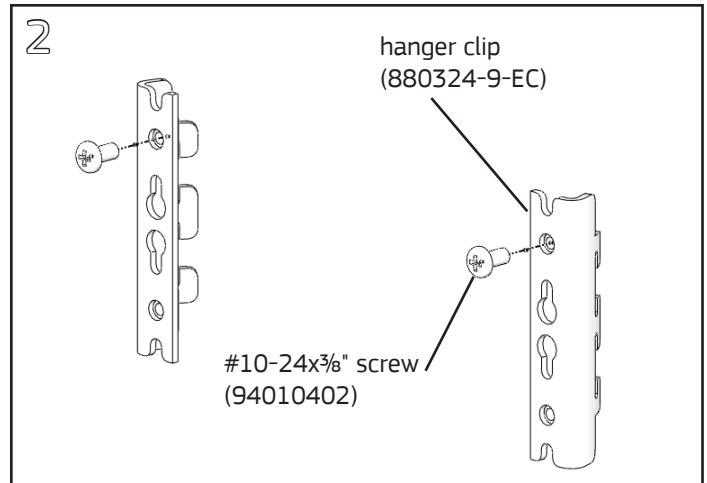
Hardware Pack: PBHP (p/n 99010504-xx and 93122202)

Required Tools

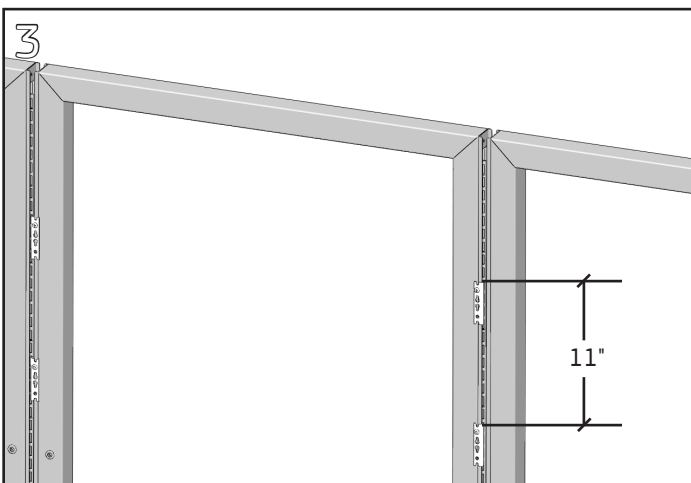
- #2 Phillips Screwdriver



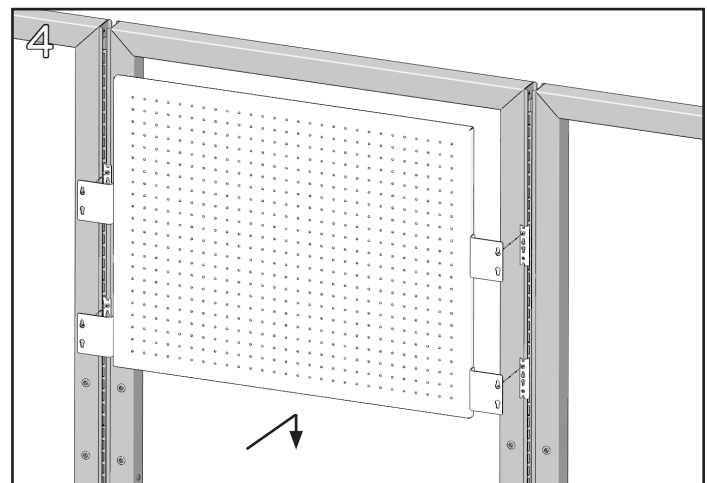
Attach each mounting bracket to the sides of the Pegboards with #10-24x3/8" Phillips pan head screws using a #2 Phillips screwdriver. The bracket faces with the keyslot holes should be oriented towards the front of the Pegboard.



Install a #10-24 screw into the top of each hanger clip, leaving a 1/8" gap between the screw and clip.

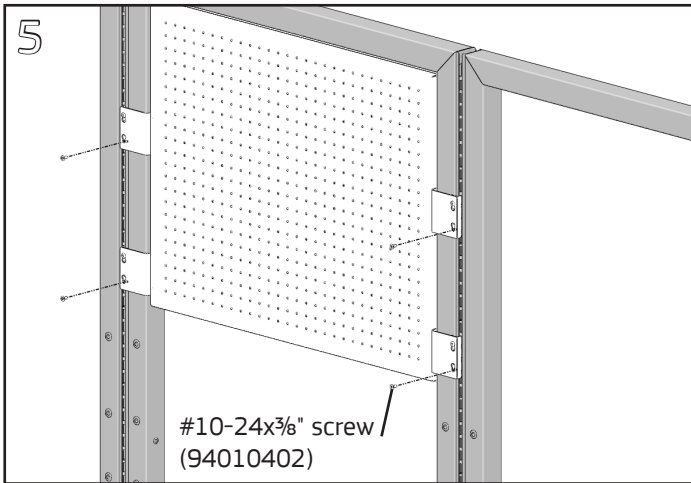


Install two hanger clips with the screws at the top of each clip on the right side of the frame with a spacing of 11" between the tops of the clips. Repeat on the left side at the same heights.



Align the top large keyslot holes in the pegboard brackets with the heads of the hanger clip screws. Slide the Pegboard down over the screws to engage.

Pegboard



Install an additional #10-24 screw into the bottom hole of each hanger clip. Fully tighten all eight hanger clip screws with a **#2 Phillips screwdriver**.