

Tackboard, Double-Sided

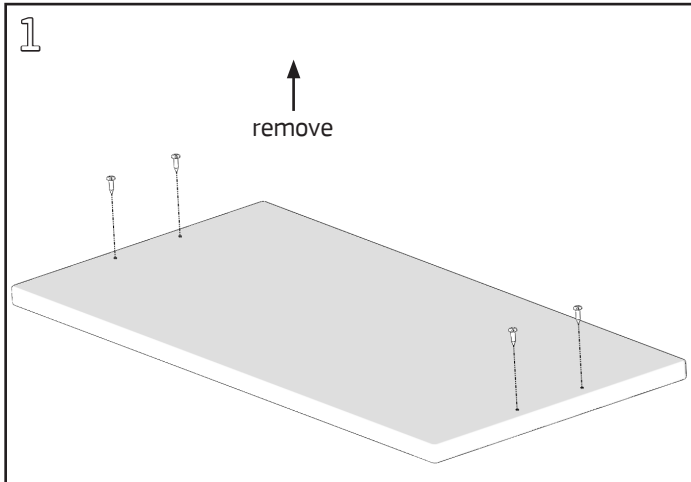
Product Numbers

- TB15xx

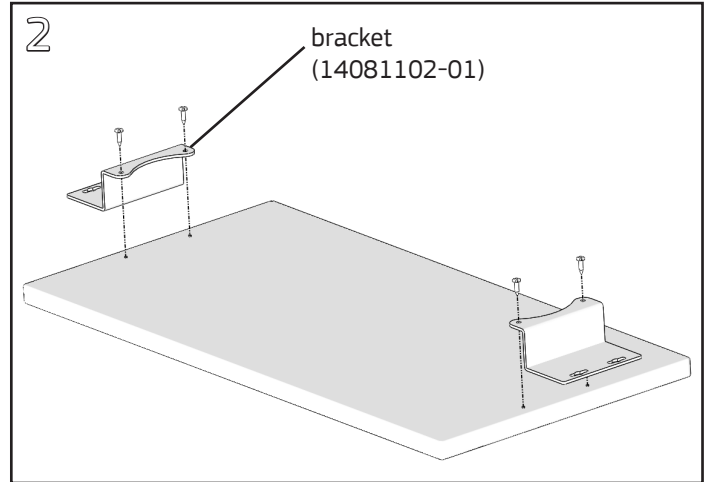
Hardware Pack: TBHP (p/n 14091601-xx)

Required Tools

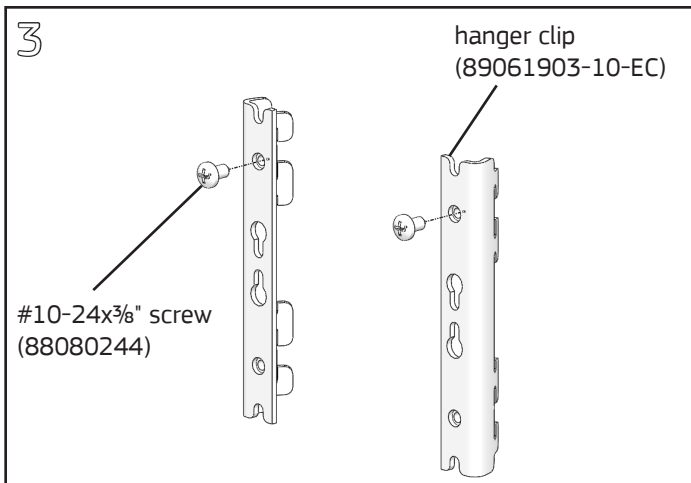
- #2 Phillips Screwdriver



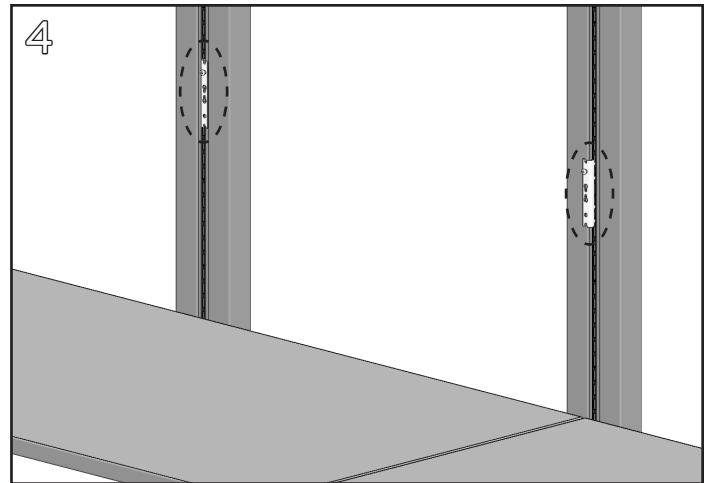
Remove both of the screws from each bracket location on the back of tackboard using a #2 Phillips screwdriver.



Align the brackets with the holes in the board and reinstall the screws from step one. Tighten all four screws.

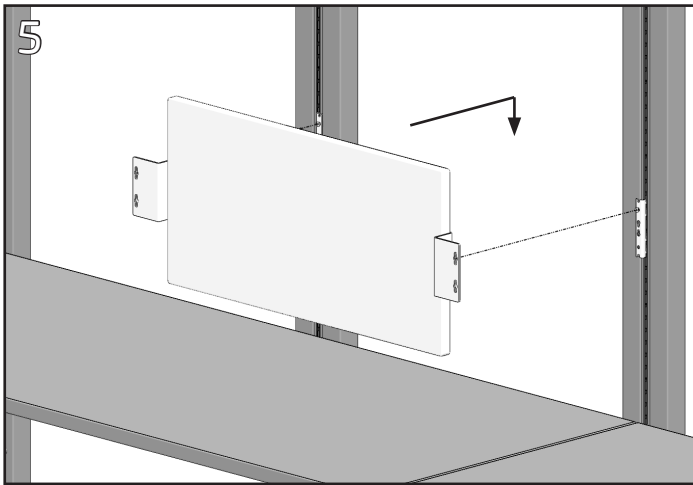


Install a #10-24x3/8" Phillips pan head screw into the top of each hanger clip. Leave a 1/8" gap between the screw and clip.

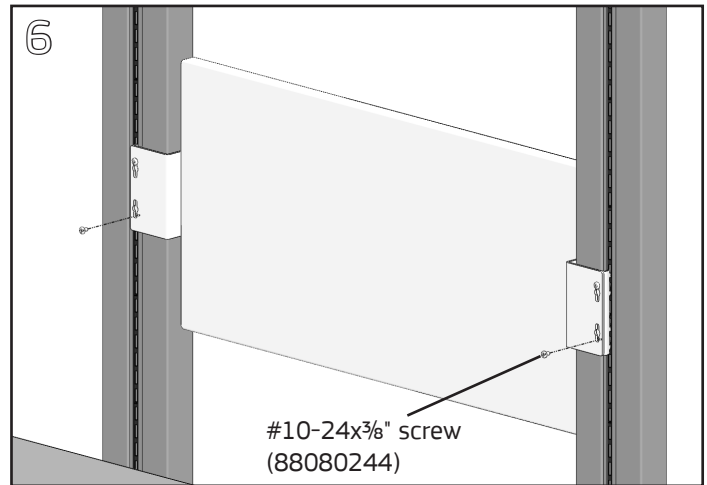


Install the hanger clip with the screw at the top on the right side of the frame. Repeat on the left side at the same height.

Tackboard, Double-Sided



Align the large keyhole holes in the tackboard brackets with the head of the #10-24 screw in the hanger clips. Slide tackboard assembly down over the screws to engage.



Install an additional #10-24x $\frac{3}{8}$ " Phillips pan head screw into the bottom hole of each hanger clip. Fully tighten all four hanger clip screws with a #2 **Phillips screwdriver**.