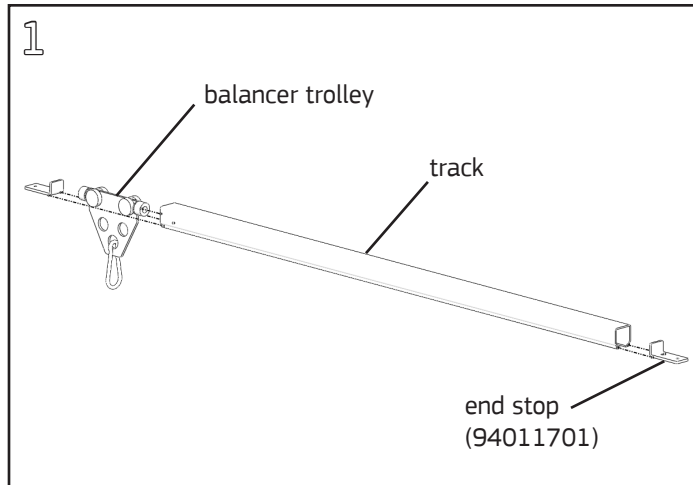


## Tool Traveler with Air

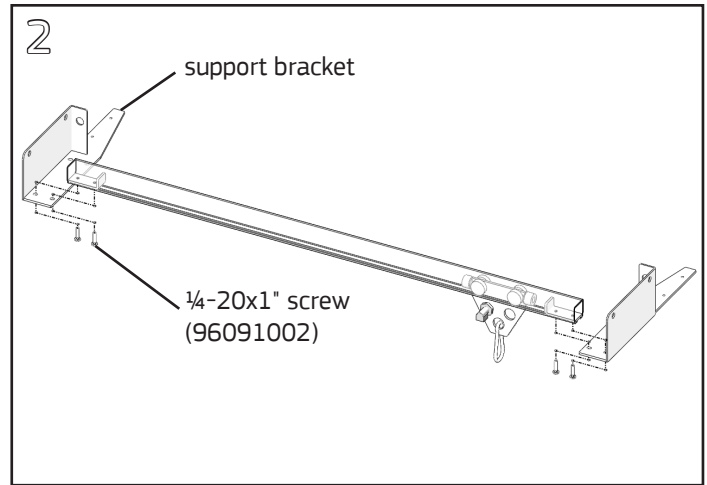
### Product Numbers

- TTGA

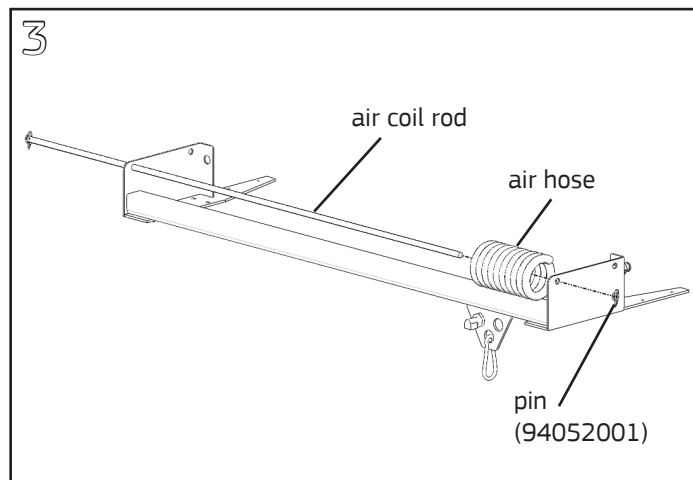
Hardware Pack: TTGHP (p/n 90071001-02)



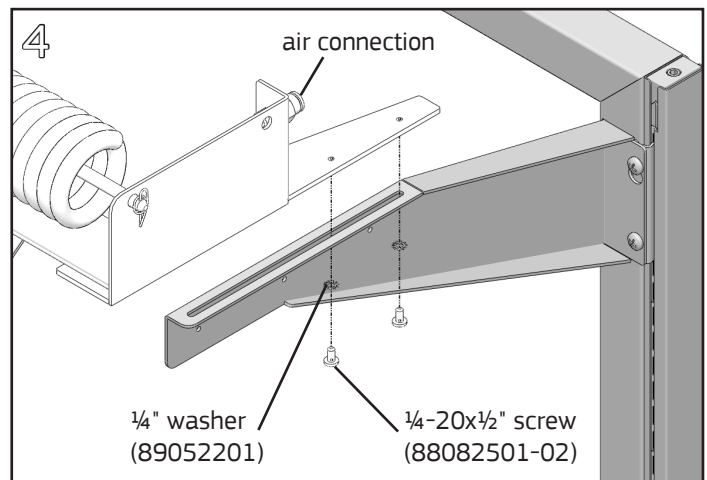
Install Cantilever Light Brackets with or without Task Light per installation instructions. Slide balancer trolley into track. Insert an end stop, flange first, into each end of the track.



Center track between support brackets. Align the holes in the end stops with the two holes in the bottom of the support brackets, in either the front or rear position. Fasten each end with (2) 1/4-20x1" Phillips pan head SEMS screws using a #2 Phillips screwdriver.



Remove the pin from one of the ends of the air coil rod. Align rod with the hole in the support bracket above the track and insert unpinned end. Place the coiled air hose on the rod and then insert through the hole in the other support bracket. Reinsert pin and connect air hose to tool travel car and air fitting in support bracket.



Fasten each Tool Traveler support bracket to the slots in the top of the Cantilever Light Brackets with (2) 1/4-20x1/2" Phillips pan head screws and (2) 1/4" external tooth lock washers using a #2 Phillips screwdriver. Connect to building air supply via straight adapter on the back of the support bracket.