

Frame-mount Surface Support

Product Numbers

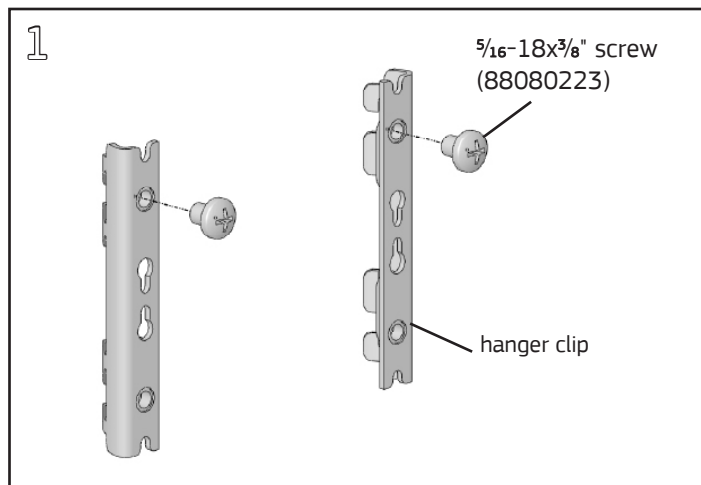
- WSBxx

Hardware Pack: WSBHP (p/n 09073002-01)

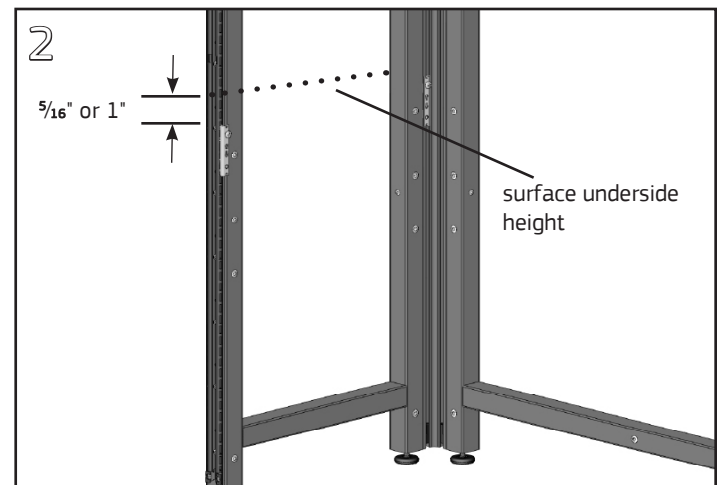
Required Tools

- #2 Phillips Bit
- Cordless Drill/Driver
- #4 Phillips Screwdriver

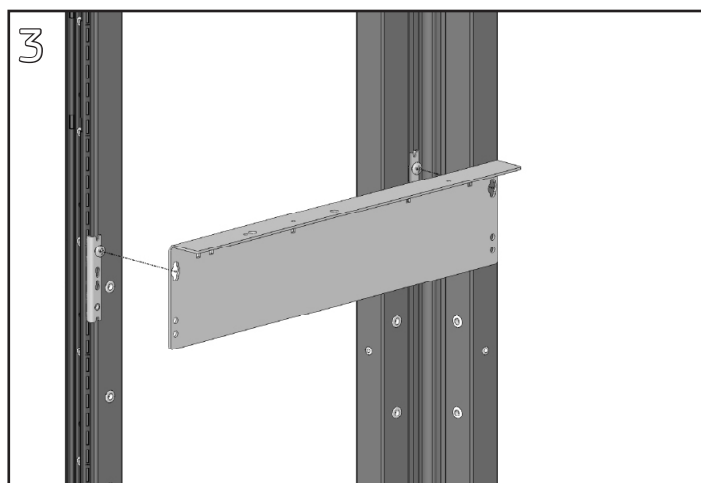
WARNING: Do not tighten #10-12 surface screws more than 25 in-lbs. in laminated surfaces or 40 in-lbs. in phenolic surfaces.



Install a $\frac{5}{16}$ -18x $\frac{3}{8}$ Phillips pan head screw into each hanger clip at opposite ends, leaving a $\frac{3}{16}$ " gap between the screw and clip, using a #4 Phillips screwdriver.



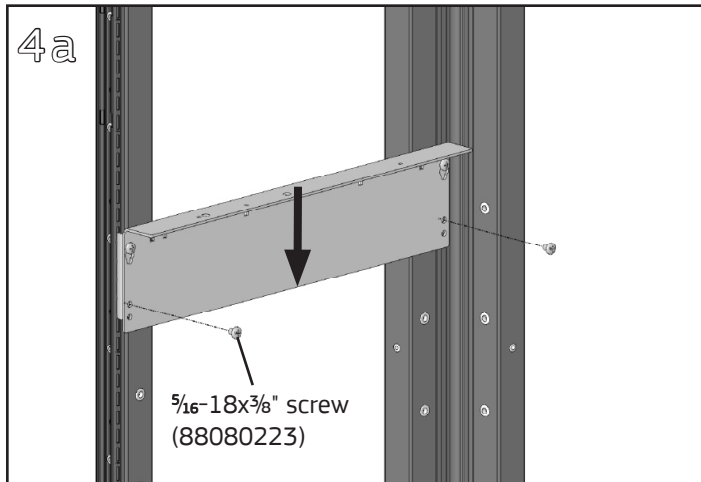
Install a hanger clip on the left and right sides of the frame with the screws at the top of each clip. The top of the clip should be mounted $\frac{5}{16}$ " below the desired surface underside height when used with Lab height module products (LULL, LUSA, LUSC, LUSB), and 1" below when used with B Support/C Leg height module products (WBL/R, WBEL/R, WSL/R). Ensure that the clips are firmly seated in the slots.



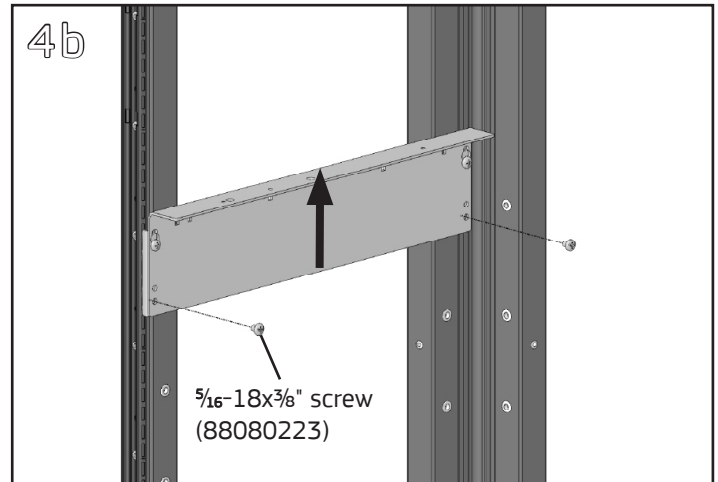
Align the large hole in the center of the keyslots in the Frame-mount Surface Support bracket with the heads of the $\frac{5}{16}$ -18 screws in the hanger clips.

Frame-mount Surface Support

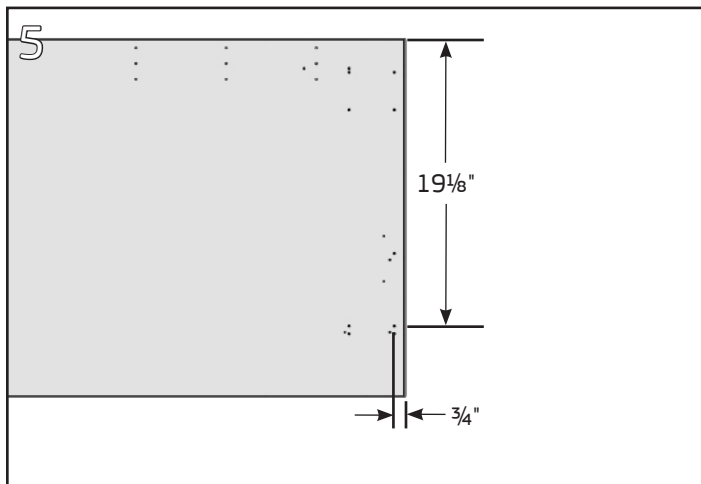
WARNING: Do not tighten #10-12 surface screws more than 25 in-lbs. in laminated surfaces or 40 in-lbs. in phenolic surfaces.



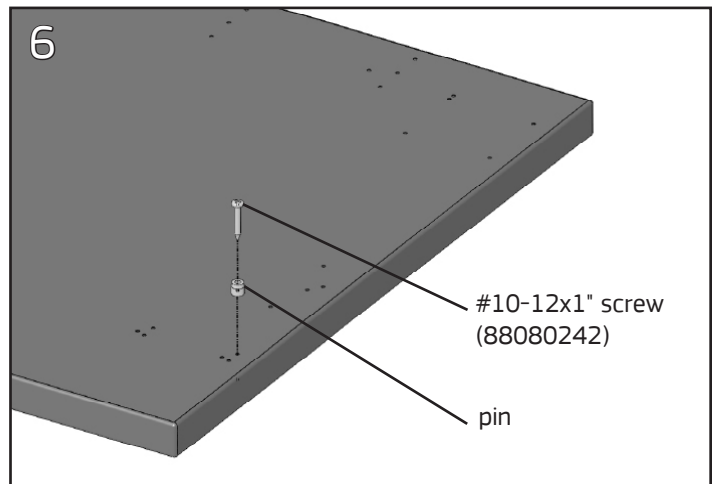
Lab Height Module – Slide the support down and install a $\frac{5}{16}$ -18x $\frac{3}{8}$ " Phillips pan head screw in the upper clearance hole near the bottom of the support on each end. Fully tighten all four hanger clips screws with a #4 Phillips screwdriver.



B/C Height Module – Slide the support up and install a $\frac{5}{16}$ -18x $\frac{3}{8}$ " Phillips pan head screw in the lower clearance hole near the bottom of the support on each end. Fully tighten all four hanger clips screws with a #4 Phillips screwdriver.



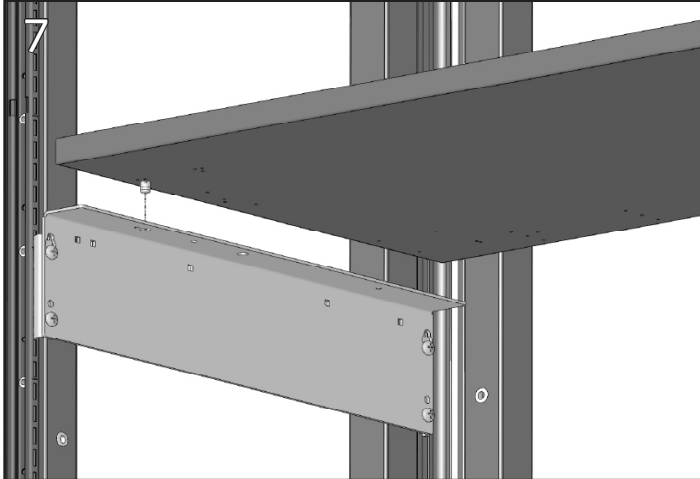
Flip the surface to be mounted to the bracket upside down. Locate the hole as indicated above for the pin.



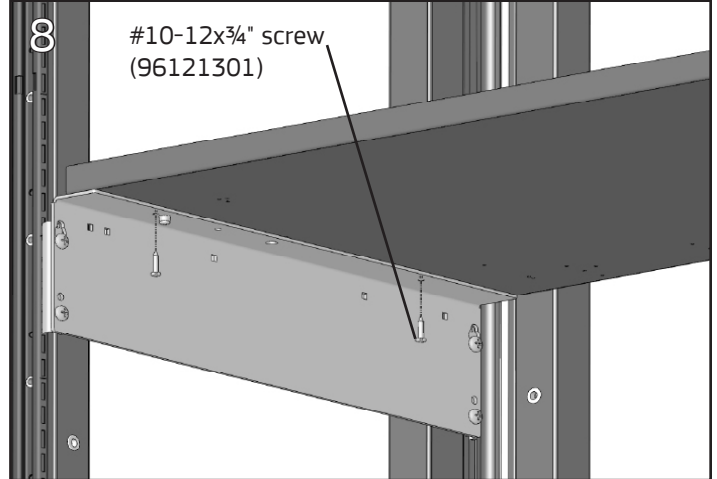
Install a pin at the required location with a #10-12x1" screw using a **cordless drill and #2 Phillips bit**. Install additional surface supports and surface mounting hardware as needed on the other end of the surface.

Frame-mount Surface Support

WARNING: Do not tighten #10-12 surface screws more than 25 in-lbs. in laminated surfaces or 40 in-lbs. in phenolic surfaces.



Flip the surface over and align the pin with the large diameter hole near the front of the Frame-mount Surface Support Bracket.



Install a #10-12x $\frac{3}{4}$ " screw into the hole near the back of the support, and also near the front of the support in front of the pin using a **cordless drill** and a **#2 Phillips bit**.