

Task Light Cantilever Brackets

Product Numbers

- CBH, CBH30, CBL, CBL30

Hardware Pack:

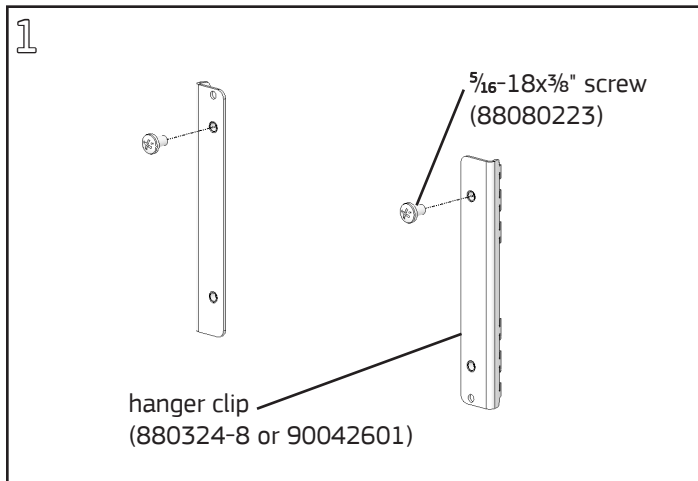
HCP8 (p/n 90060101) for CBH products

HCP4 (p/n 88081504) for CBL products

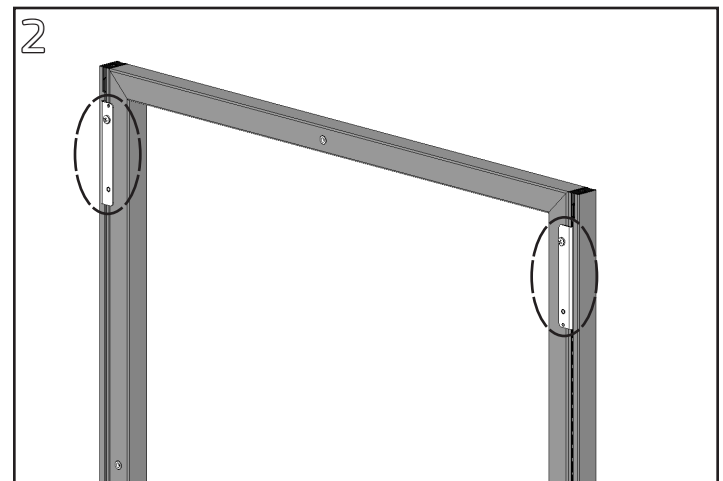
TLPHP (p/n 92050402) or TLBHP (p/n 88081606) depending on light

Required Tools

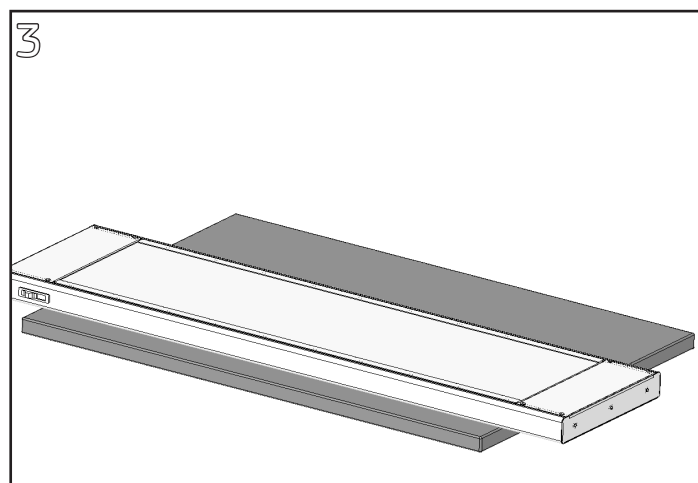
- #2 Phillips screwdriver
- #4 Phillips screwdriver



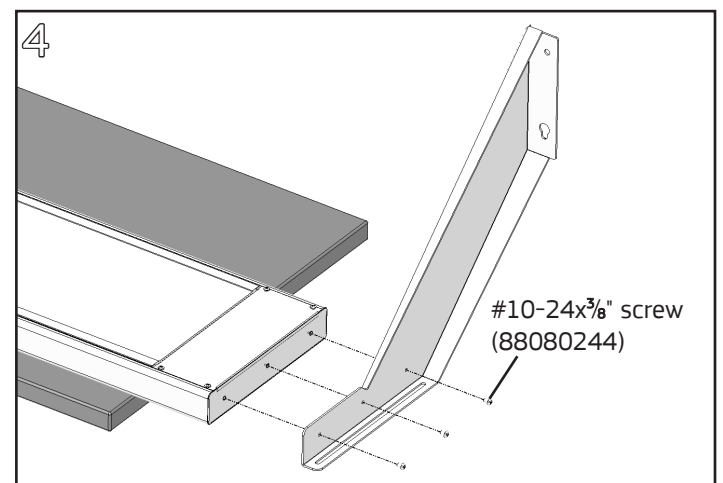
Install a $\frac{5}{16}$ -18x $\frac{3}{8}$ " Phillips pan head screw into each hanger clip at opposite ends leaving a $\frac{3}{16}$ " gap between the screw and clip using a **#4 Phillips screwdriver**.



At the top slot locations of the frame, install a hanger clip on the left and right sides with the screws at the top of each clip. Ensure that the clips are firmly seated in the slots.

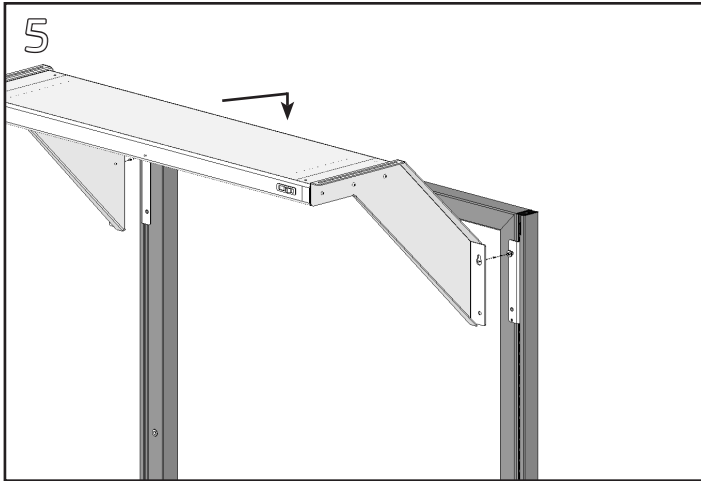


Lay the Task Light upside down on a clean, smooth surface (lamps facing upward). With the sides overhanging the surface, install lens as required per Task Light instructions.

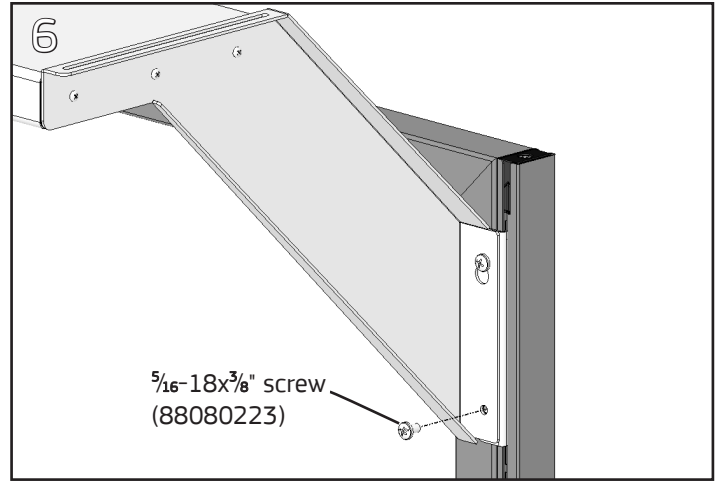


Align the holes in the left side of the light with the three holes in the left-hand Cantilever Light Bracket. Install (3) #10-24x $\frac{3}{8}$ " Phillips pan head screws with a #2 Phillips screwdriver. Repeat for the right-hand Cantilever Light Bracket.

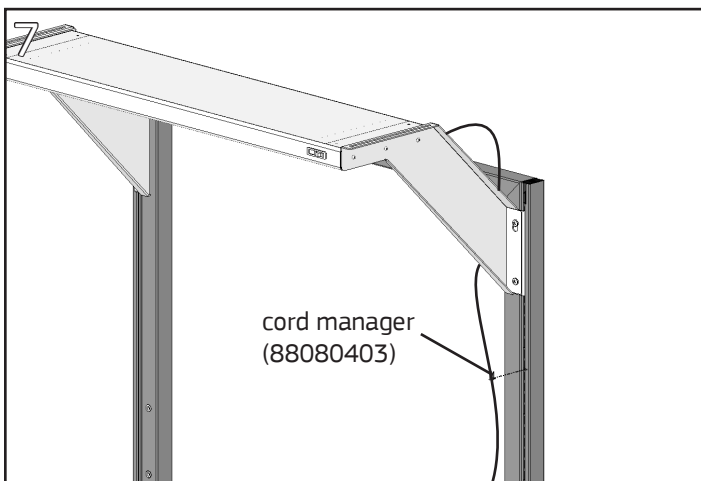
Task Light Cantilever Brackets



Flip light/bracket assembly over and align the bottom of the keyslots in the Cantilever Light Brackets with the heads of the $\frac{5}{16}$ -18 screws in the hanger clips. Slide the light/bracket assembly down over the screws to engage.



Install an additional $\frac{5}{16}$ -18x $\frac{3}{8}$ " Phillips pan head screw in the hole below the keyslot on each Cantilever Light Bracket. Fully tighten all four hanger clips screws with a #4 Phillips screwdriver.



Place cord manager around Task Light cord and push into hanger frame slots to manage cord.