

## Task Light Lens, Parabolic Lens

### Product Numbers

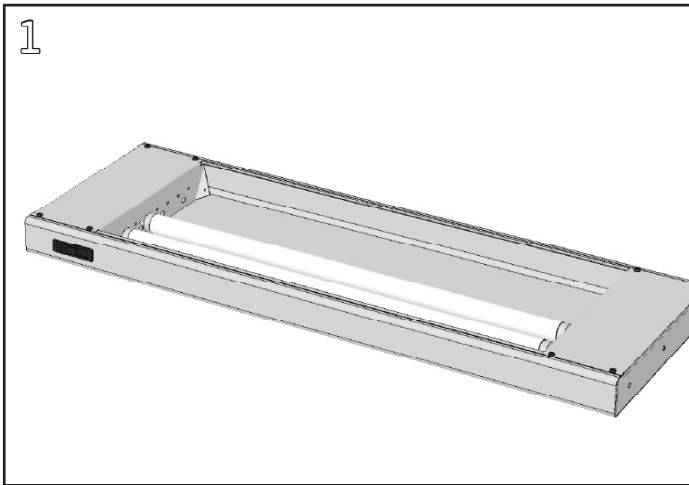
- L2xxPE
- L4xxPE3

### Required Tools

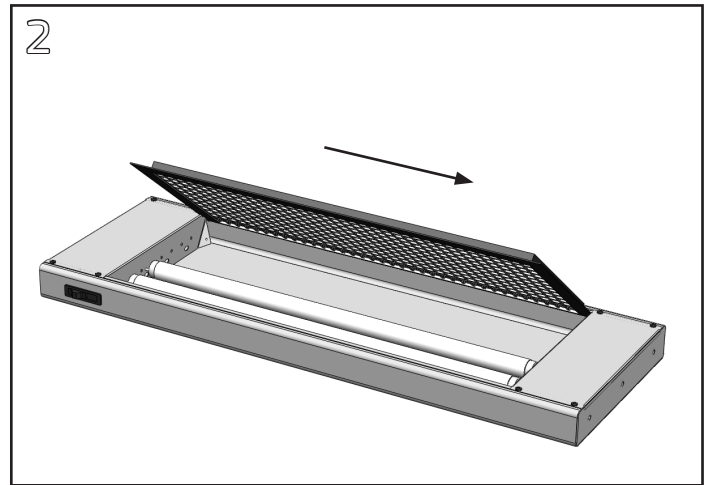
- None

Hardware Pack: TLPHP (p/n 92050402)

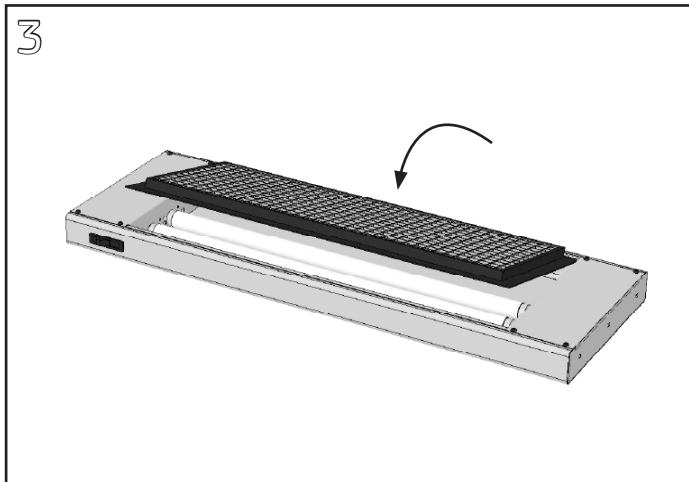
**CAUTION:** DO NOT TOUCH the silver eggcrate area of the lens with unprotected hands. Wear gloves when handling and installing the parabolic lens.



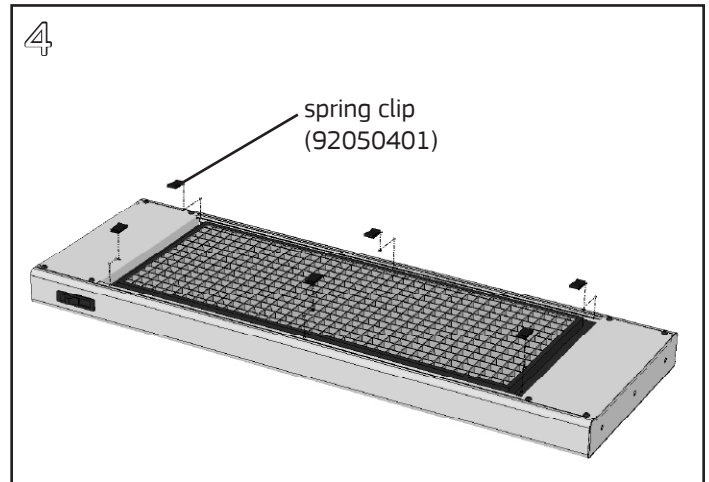
1 Lay the Task Light upside down on a clean, smooth surface.



2 With the lens perimeter flanges facing down and the eggcrate area facing up, insert the rear lens flange under the back lip of the Task Light.



3 Push the lens to the rear within the lamp housing area of the Task Light. Gently insert the front flange of the lens under the front lip of the light.



4 Secure the lens in place by engaging six spring clips. Place one in each corner and two in the middle on the front and rear flanges of the Task Light. Install Task Light as required with brackets, ordered separately.