

## Wrist Strap Grounding Kit

### Product Numbers

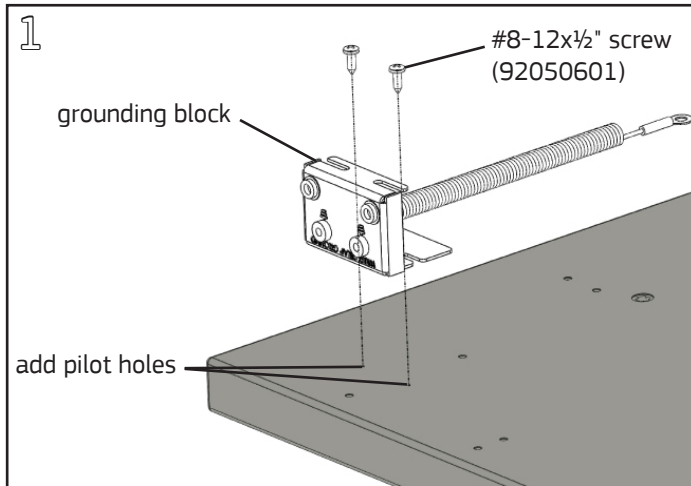
- WGK

Hardware Pack: none

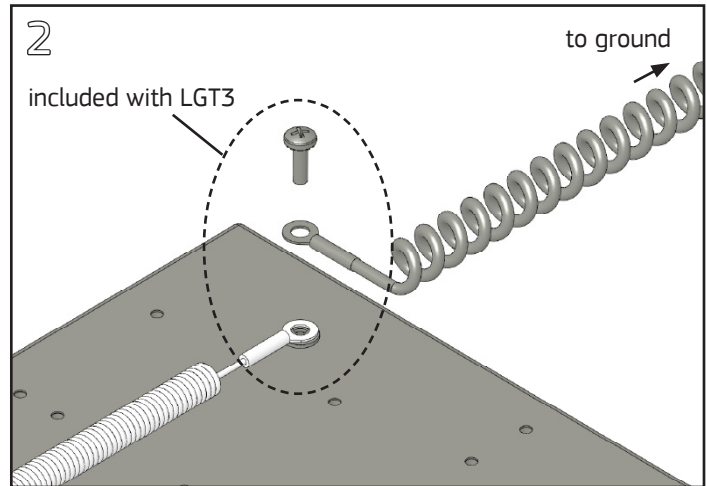
### Required Tools

- 1/8" or 11/64" Drill Bit
- #2 Phillips Bit and/or Screwdriver
- Cordless Drill/Driver

**WARNING:** Do not tighten the #10-12 surface screws more than 25 in-lbs. in laminated surfaces or 40 in-lbs. in phenolic surfaces. Drill 1/8" diameter pilot holes for laminated surfaces or 11/64" diameter pilot holes for phenolic surfaces.



Flip the surface upside down. Place Wrist Strap Grounding Block in desired mounting position and mark the mounting hole locations. Using a **drill bit and cordless drill**, drill two pilot holes approximately 1/2" deep. With the coiled cord facing the rear of the surface, mount Grounding Block in the pilot holes using two #8-12x1/2" Phillips pan head screws.



Attach the other end of the coiled ground cord to the ESD Laminate Grounding Terminal (installed per LGT3 instructions) using the screw and washers included with the terminal. Ensure the terminal is attached to an appropriate ESD ground path.