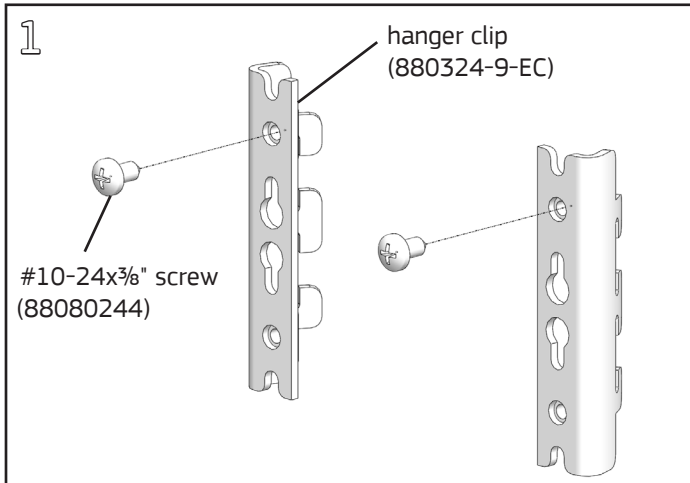


Power Distribution Rail

Product Numbers

- PDRxx

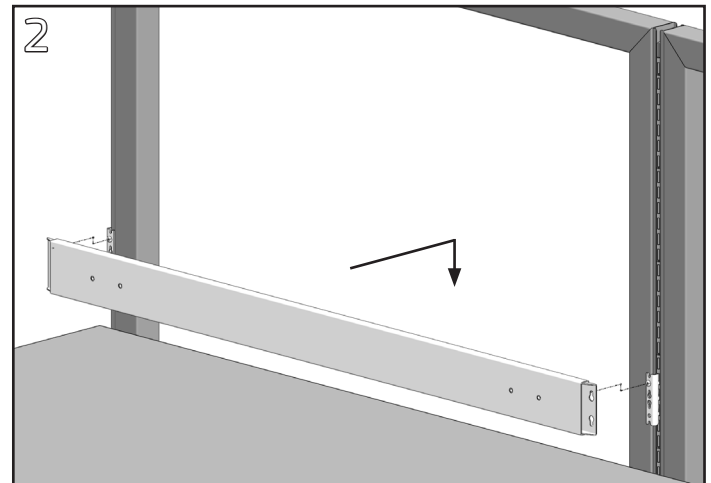
Hardware Pack: PDRHP (p/n 16082210-01)



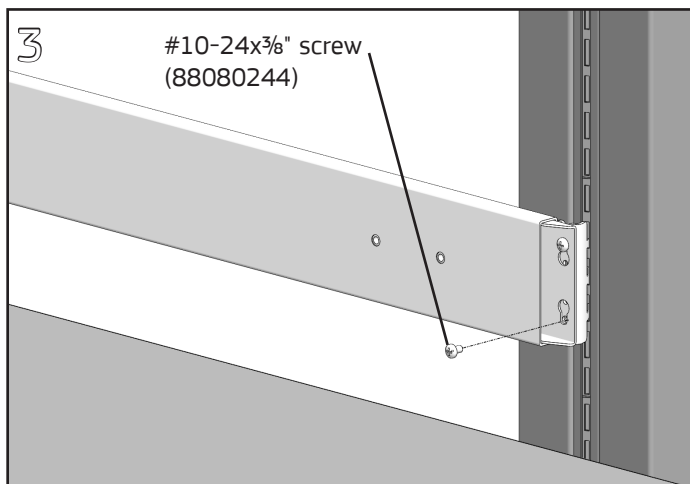
Install a #10-24x $\frac{3}{8}$ " Phillips pan head screw into the top of each hanger clip. Leave a $\frac{1}{8}$ " gap between the screw and clip.

Required Tools

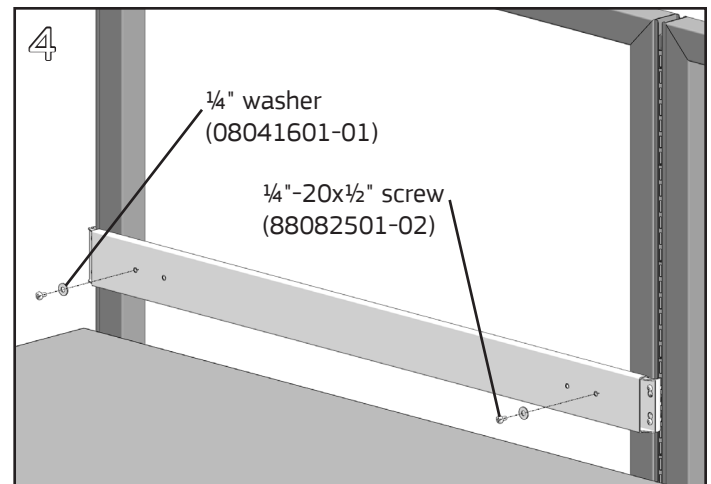
- #2 Phillips Screwdriver



Install a hanger clip on the left and right side of the frame or panel with the screws at the top of each clip. Align the bottom of the keyslots in the rail with the heads of the #10-24 screws in the hanger clips. Slide the rail down over the screws to engage.



Install an additional #10-24x $\frac{3}{8}$ " Phillips pan head screw into the bottom keyslot hole of each hanger clip. Fully tighten all four hanger clip screws with a #2 Phillips screwdriver.



Attach power distribution unit (not provided) with two $\frac{1}{4}$ "-20x $\frac{1}{2}$ " Phillips pan head screws and $\frac{1}{4}$ " flat washers.