

**Tote Rail**

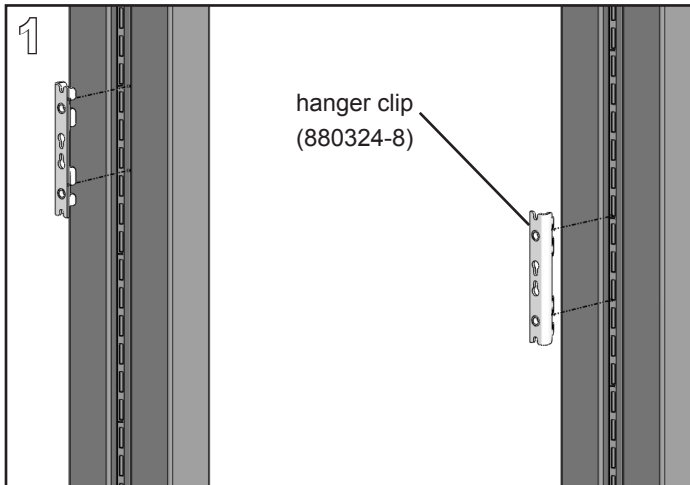
**Product Numbers**

- TRxx

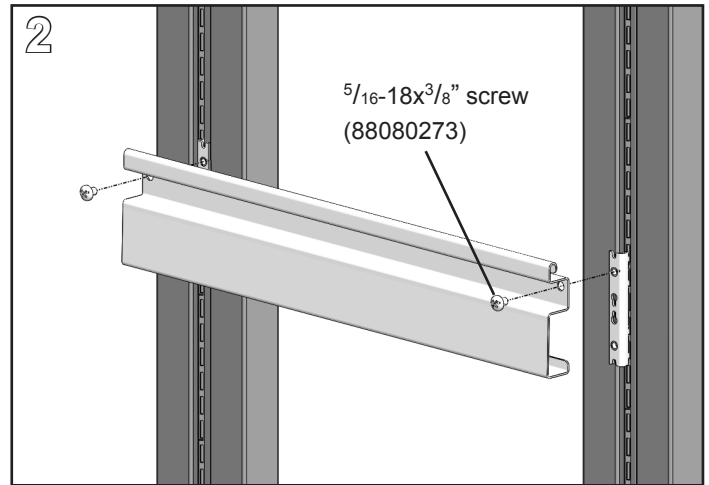
**Hardware Pack:** HCP4 (p/n 88081504)

**Required Tools**

- #4 Phillips Screwdriver



At designated mounting height, install hanger clips on left and right sides of the frame. Ensure the clips are at the same height and firmly seated in the hanger frame slots.



Align top hole in Tote Rail with the top threaded hole in the hanger clip. Fasten rail to clips with one  $\frac{5}{16}$ -18x $\frac{3}{8}$ " Phillips pan head screw per side using a **#4 Phillips screwdriver**.