

INSTALLATION INSTRUCTIONS

Symple Height Adjustable Base

Product Numbers

- SWEG28J

Hardware Pack: SWEHP (p/n 20103111-01)

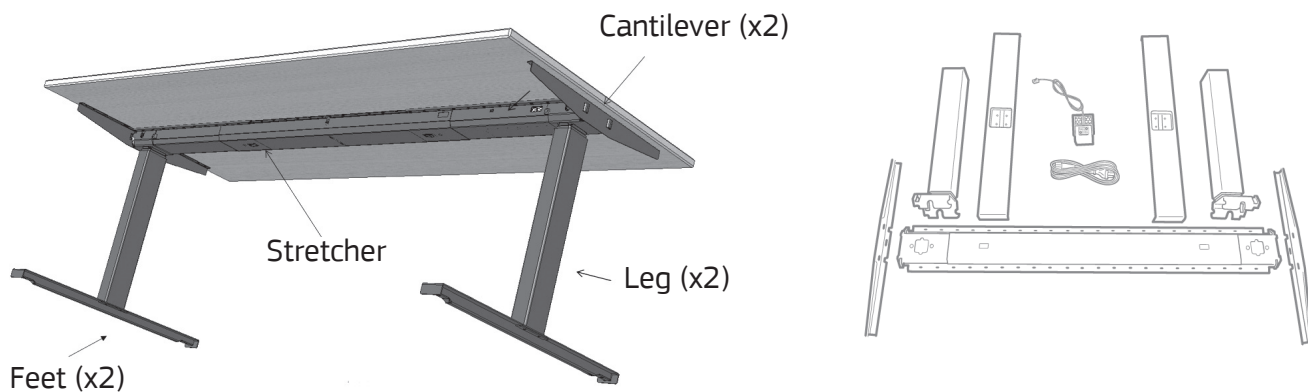
Required Tools

- $\frac{3}{16}$ " Allen Wrench
- #2 Phillips Bit
- Cordless Drill/Driver
- Tape Measure

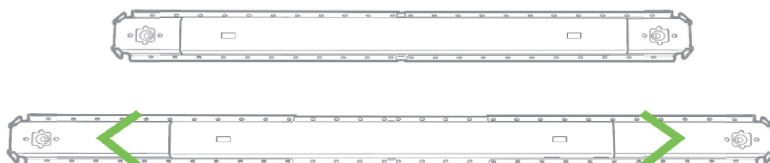
Notes:

- This product is shipped in separate boxes. Check packaging and items for visible damage and ensure the drive shaft is mounted correctly and not pulled apart.
- Read this manual, completely, before using this product. Failure to follow instructions and safety precautions in this manual can result in property damage, serious injury, or death.
- Use with 24", 30" and 36" D surfaces to construct a height adjustable table.
- Telescoping expandable base fits surface widths from 48" to 96".
- This product contains an automatically-reset thermal limiter which protects the unit from damage due to heat generation. Continuous use may result in a temporary shutdown of the electric height adjustment feature of the table base. If this occurs, please allow a cooling period of two hours before resuming normal use. The electric height adjustment feature of this product is not intended for continuous operation. The duty cycle is 5 % \approx 1-minute continuous use at full load, followed by a 19-minute pause.
- Electrical rating: 120V, 60 Hz, 3 Amps

WARNING: Do not tighten the #10-12 surface screws more than 25 in-lbs. in laminated surfaces or 40 in-lbs. in phenolic surfaces. Silicone adhesive recommended to attach epoxy surfaces.

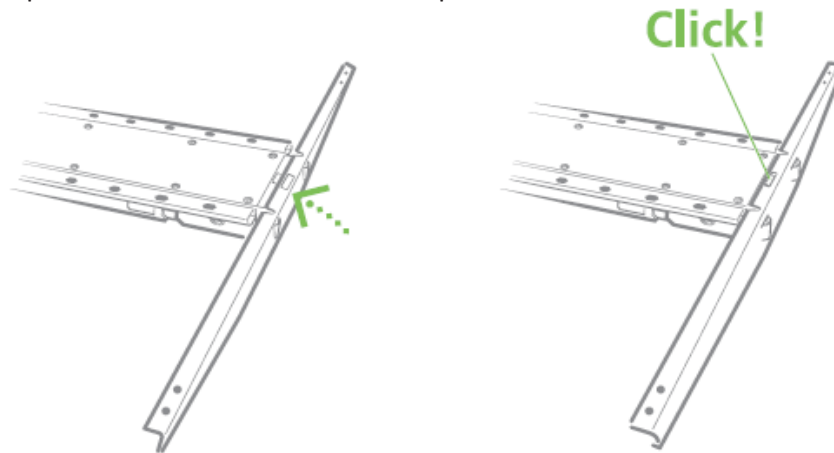


1. Turn tabletop upside down. Extend stretcher to desired length, 45" to 68", adjustable in 2" steps. The stretcher must not be pulled completely apart in order not to pull the drive shaft apart. Minimum adjustment in the connection end is 4" (to keep power and RJ45 connector ports accessible); otherwise adjustable in 2" steps.

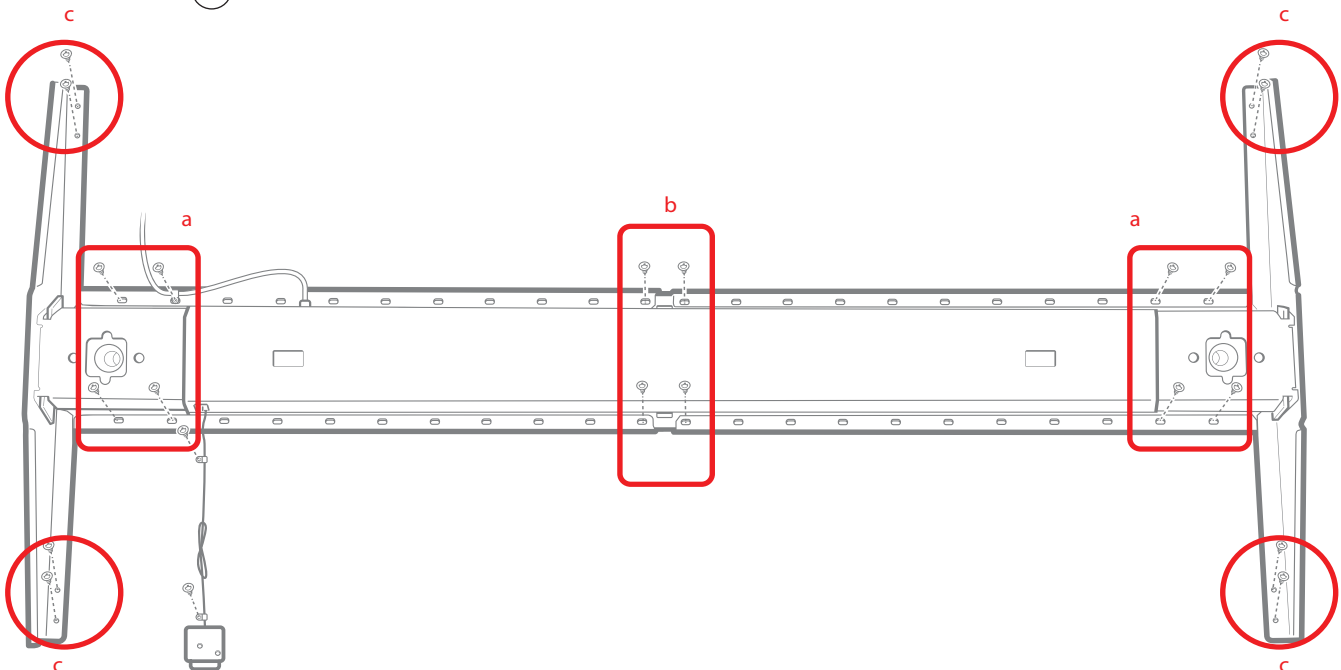


INSTALLATION INSTRUCTIONS

2. Mount cantilevers. Place a cantilever slightly tilted at end of stretcher. Press cantilever into place until a click is heard and pawls lock cantilever in correct position.

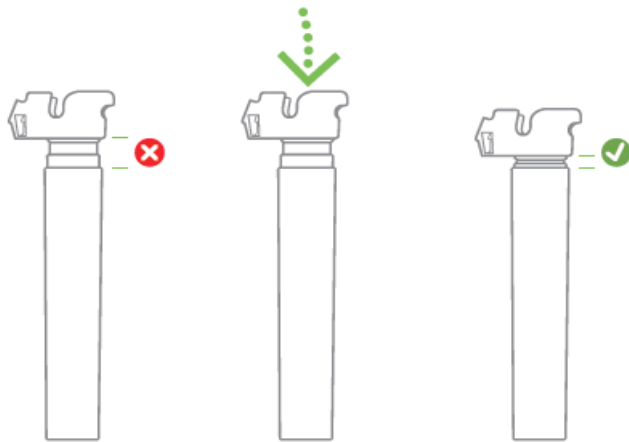


3. Mount cantilever at opposite end of stretcher. Check that the cantilever is placed correctly and cannot be twisted off the stretcher. Do not extend the stretcher using the cantilevers as handles.
4. Place assembled table base in correct position on the underside of surface. Use tape measure to ensure correct placement.
5. Fasten table base to surface using 20 mounting screws according to the diagram's reference letters.
 - (a) 8 screws at ends of stretcher. Secure power supply cord to stretcher with cord creating a strain relief. Connect main power cord.
 - (b) 4 screws at extension points.
 - (c) 8 screws in cantilevers.

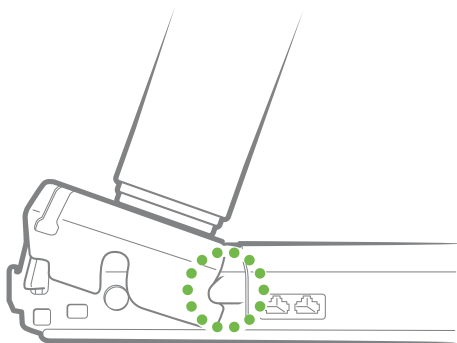


INSTALLATION INSTRUCTIONS

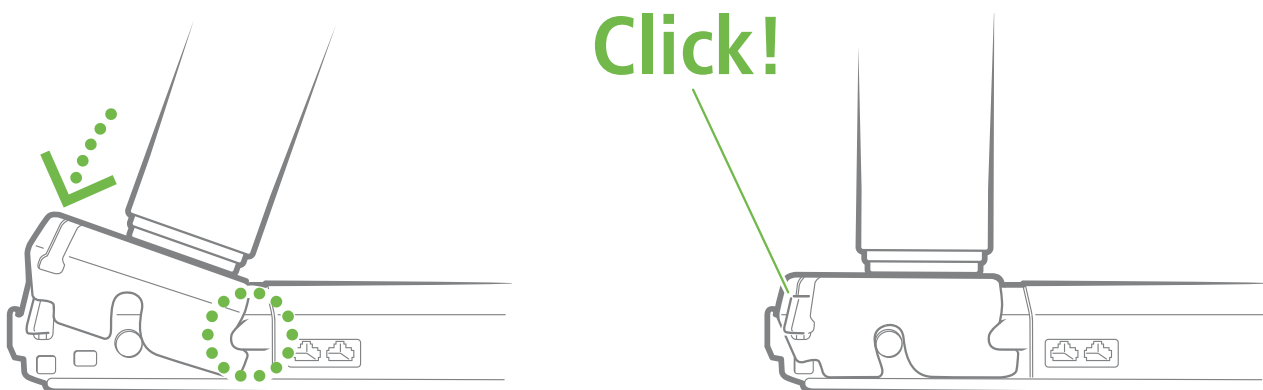
6. Mount legs. Ensure legs are completely retracted.



7. Tilt legs and place correctly on stretcher using guiding notches.

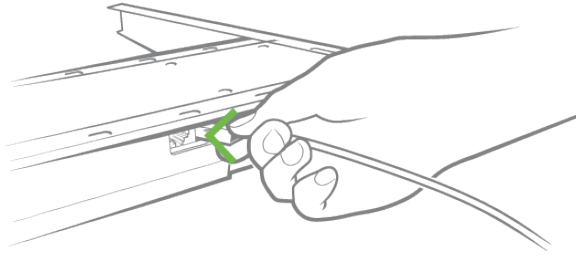


8. Attach leg to stretcher by pressing down until a “click” is heard and both pawls lock leg in correct position. Check both pawls are visible after mounting of legs. Otherwise, remove leg and repeat procedure (see disassembly steps).



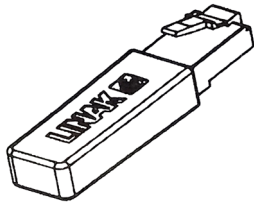
INSTALLATION INSTRUCTIONS

9a. Mount hand control switch. Connect hand control switch in RJ45 connector port. Fasten hand control switch to surface using mounting screws. Fasten cord to surface using two screws and cord clamps.

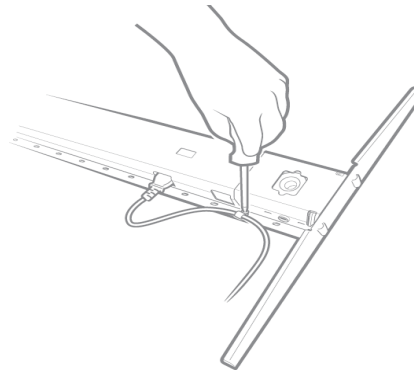
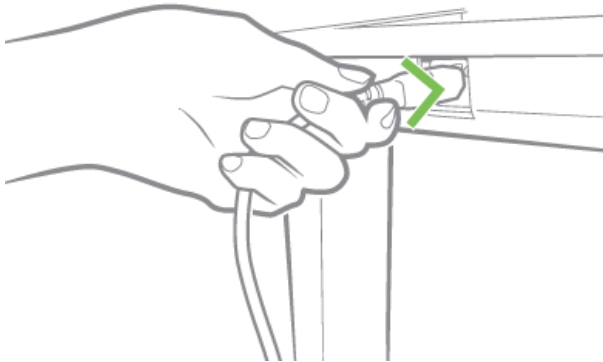


Ensure only one hand control switch is connected to the base.

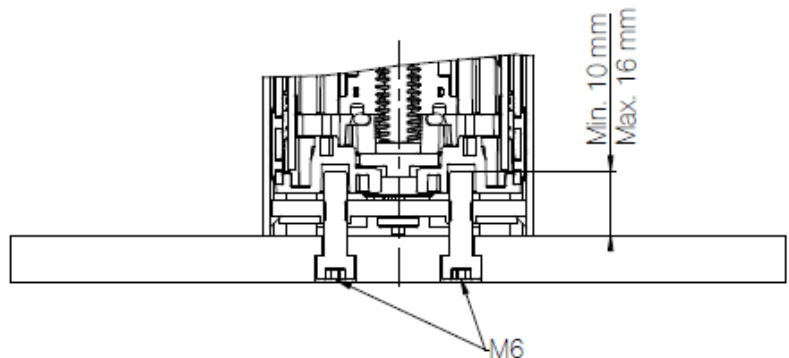
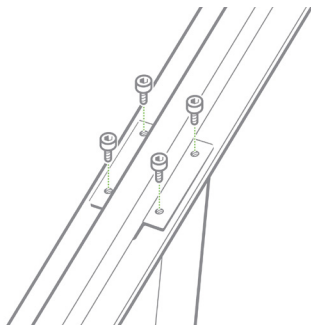
9b. If DS-1 collision sensor is included in package, insert into adjacent RJ45 connector port.



10. Connect main power cord. Create a cord relief using cord clamp when fastening cord to underside of the tabletop.

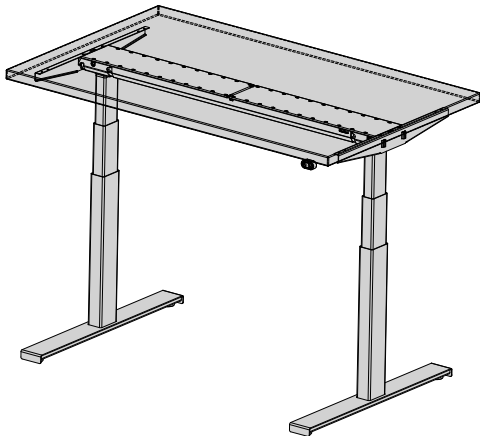


11. Mount feet on legs using four M6 x 16mm mounting screws (per leg) into the threaded holes. Tighten screws thoroughly (torque: max. 90 in-lbs).



INSTALLATION INSTRUCTIONS

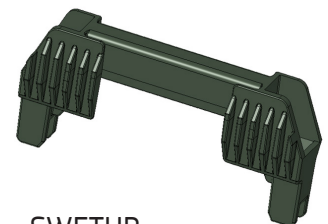
12. Turn table over and connect to power. The table can be leveled by adjusting the glides on each foot. Table is ready for use.



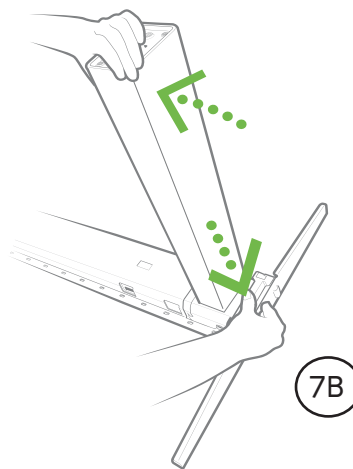
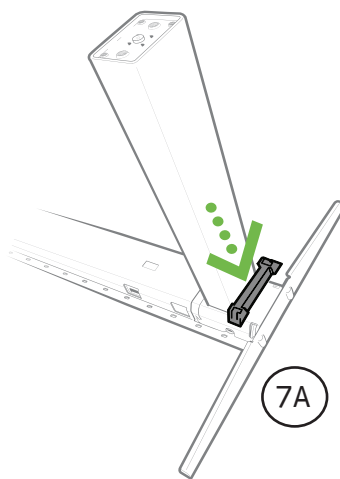
Disassembly Instructions

Use a disassembly tool. The disassembly tool has ridges on one side.

1. Lower desk to its minimum height so legs are completely retracted.
2. Disconnect from power supply.
3. Turn table upside down.
4. Disconnect, unscrew and remove hand control switch.
5. Unscrew and remove feet.
6. Place disassembly tool on stretcher with ridges facing toward the cantilever.
- 7A. Press straight down to loosen cantilever and make pawl release leg.
- 7B. At the same time press disassembly tool down and tilt leg to remove from stretcher.



SWETHP
(p/n 20103101-01)



8. Unscrew table base stretcher from tabletop. Twist cantilever slightly to release it from stretcher. Disassemble rest of system.

INSTALLATION INSTRUCTIONS



IMPORTANT SAFETY INSTRUCTIONS

Intended use:

This product is intended for use indoors in household and commercial usage areas.
Do not use outdoors or in wet environments.

Before installation, reinstallation, cleaning, or troubleshooting:

- Remove all materials from the table surface.
- Disconnect table from main power supply .
- Review assembly instructions to confirm appropriate critical components and accessories are being used with this product.

Before start-up:

- Confirm the system has been assembled per these instructions.
- Ensure main power supply voltage is correct before connecting to power.
- Use only the supplied power cord.
- All components must be properly assembled before connecting table to main power supply.

During operation:

- If the control box makes unusual noise or smells, immediately discontinue use and consult factory.
- The maximum total load on the frame is 350 pounds, equally distributed, including the surface.
- Duty Cycle: 5 %, Max. 1 min./19 min. pause.
- Take care the cords are not damaged.
- Unplug the main power supply cord on mobile equipment before moving it.

INSTALLATION INSTRUCTIONS



IMPORTANT SAFETY INSTRUCTIONS

When using an electrical furnishing, basic precautions should always be followed, including the following: Read all instructions before using this furnishing.

CAUTION – Risk of Fire or Electric Shock – Unplug power supply cords before moving or servicing furnishing.

DANGER – To reduce risk of electric shock always unplug furnishing from electrical outlet before cleaning.

WARNING – To reduce the risk of burns, fire, electric shock, or injury to persons:

1. Unplug from outlet before putting on or taking off parts.
2. Close supervision is necessary when this furnishing is used by or near children, invalids, or disabled persons.
3. Use this furnishing only for its intended use as described in these instructions. Do not use attachments not recommended by the manufacturer.
4. Never operate this furnishing if it has a damaged cord or plug, if it is not working properly, if it has been dropped or damaged, or dropped into water. Return the furnishing to a service center for examination and repair.
5. Keep the cord away from heated surfaces.
6. Never drop or insert objects into any opening.
7. Do not use outdoors.
8. Do not operate where aerosol (spray) products are being used or where oxygen is being administered.
9. To disconnect, turn all controls to the off position, then remove plug from outlet.

SAVE THESE INSTRUCTIONS

INSTALLATION INSTRUCTIONS

Servicing Double-Insulated Products

Troubleshooting Steps

In a double-insulated product, two systems of insulation are provided instead of grounding. No grounding means is provided on a double-insulated product, nor is a means for grounding to be added to this product.

- Servicing a double-insulated product requires extreme care and knowledge of the system, and is to be done only by qualified service personnel.
- Replacement parts for a double-insulated product must be identical to the parts they replace.
- A double-insulated product is marked with the words “DOUBLE INSULATION” or “DOUBLE INSULATED.”
- The symbol (square within a square) is also able to be marked on the product.

To reduce the risk of electric shock, this furnishing has a polarized plug (one blade is wider than the other). This plug will fit in a polarized outlet only one way.

- If the plug does not fit fully in the outlet, reverse the plug.
- If the plug still does not fit, contact a qualified electrician to install the proper outlet. Do not change the plug in any way.