

# ErgoStat® Pro

## BASES AND RISER FRAMES

### 4-Legged Table Riser Frame

#### PRODUCT NUMBERS

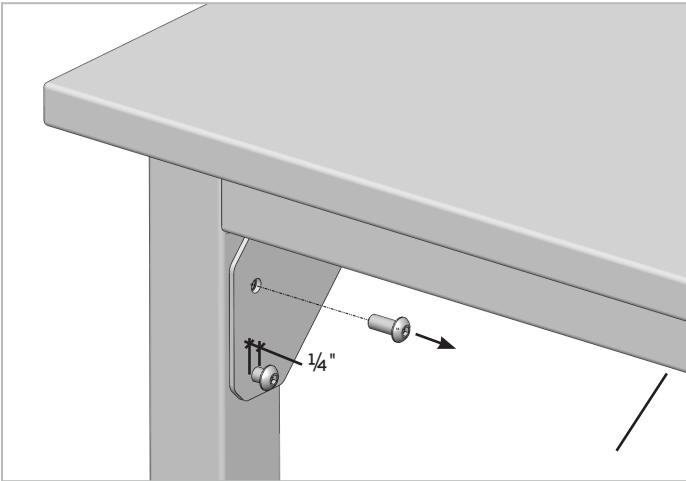
PRF4L29xx

#### HARDWARE PACK

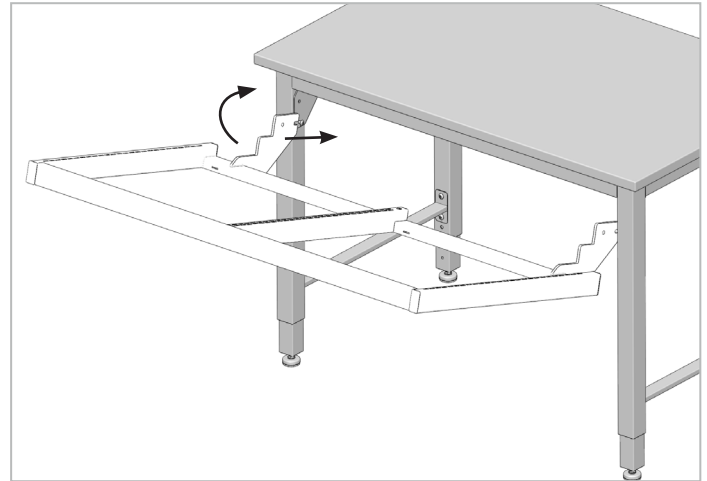
none

#### REQUIRED TOOLS

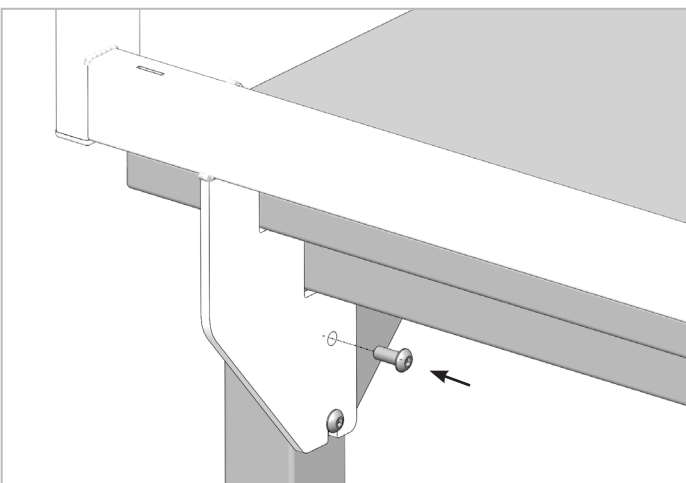
$\frac{3}{16}$ " Hex Bit and Driver or Allen Wrench



1. On the back side of the assembled 4-Legged Table, remove the upper screw only in the gusset plate attached to the vertical tube on the left and right sides of the table using a  $\frac{3}{16}$ " hex bit and driver or Allen wrench. Then loosen, but do not remove, the lower screw at these locations by  $\frac{1}{4}$ ".



2. Align the notches on the Riser Frame blades with the lower screws in the table gusset plates and rotate the frame up to vertical while resting on these screws.



3. Reinstall the upper screws and tighten all four gusset plate screws securely using a  $\frac{3}{16}$ " hex bit and driver or Allen wrench.