

## Riser Frame Vertical Utility Chase Housing

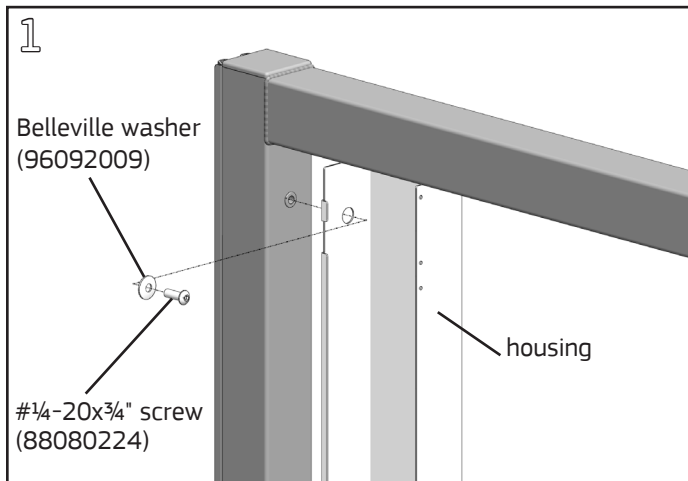
### Product Numbers

- VUCH43L
- VUCH43R

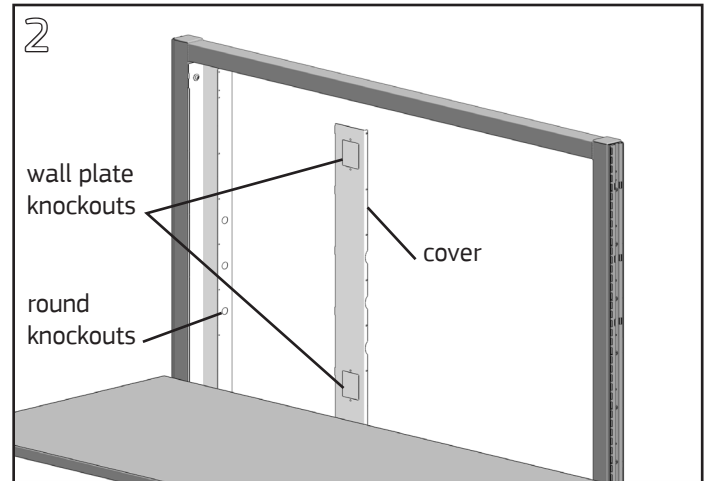
### Required Tools

- #2 Phillips Screwdriver
- $\frac{5}{32}$ " Allen Wrench

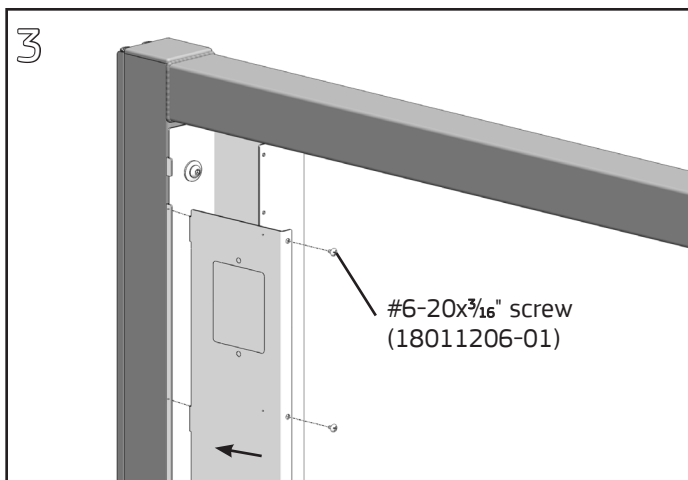
Hardware Pack: VUCHHP (p/n 18011210-01)



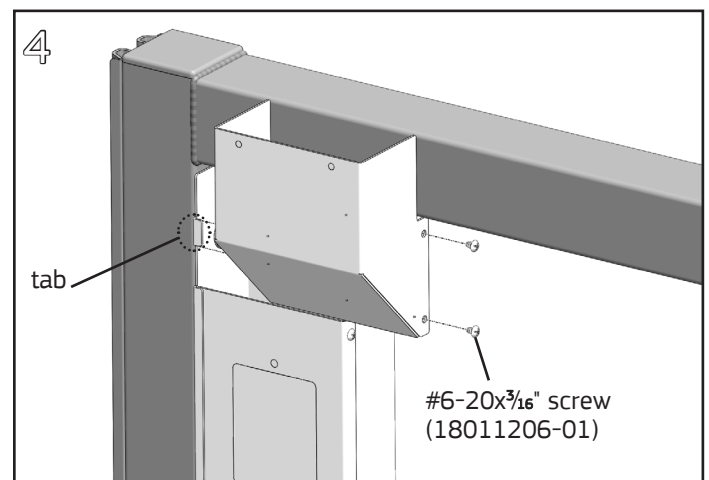
Align the large holes in the 2" side of the housing channel with the threaded inserts on the inside of the Riser Frame tube. Fasten housing to frame at the top and bottom with (2)  $\frac{1}{4}$ -20x $\frac{3}{4}$ " socket button head screws and (2) Belleville washers using a  $\frac{5}{32}$ " Allen wrench.



Remove knockouts as needed in housing channel and housing cover as necessary; install utilities.



Align tabs on cover with slots in the short flange of the housing. Slide cover into slots and align holes in the cover flange with the holes in the housing. Fasten cover to housing with (7) #6-20x $\frac{3}{16}$ " Phillips pan head screws using a #2 Phillips screwdriver.



Align slot in the side of the routing cover with the tab on the housing channel. Slide routing cover over tab and fasten with (2) #6-20x $\frac{3}{16}$ " Phillips pan head screws using a #2 Phillips screwdriver.