

## Vertical Utility Chase Housing

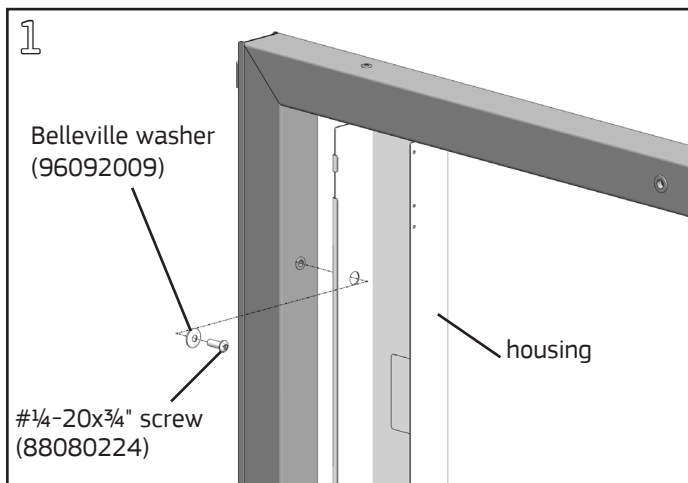
### Product Numbers

- VUCH80L
- VUCH80R

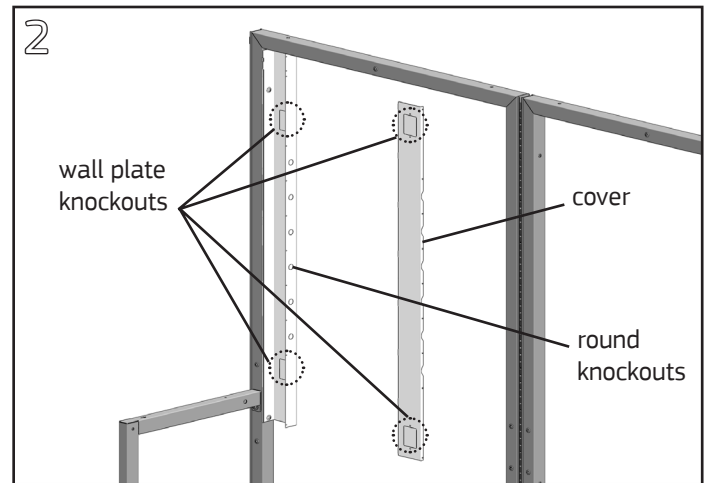
Hardware Pack: VUCHHP (p/n 18011210-01)

### Required Tools

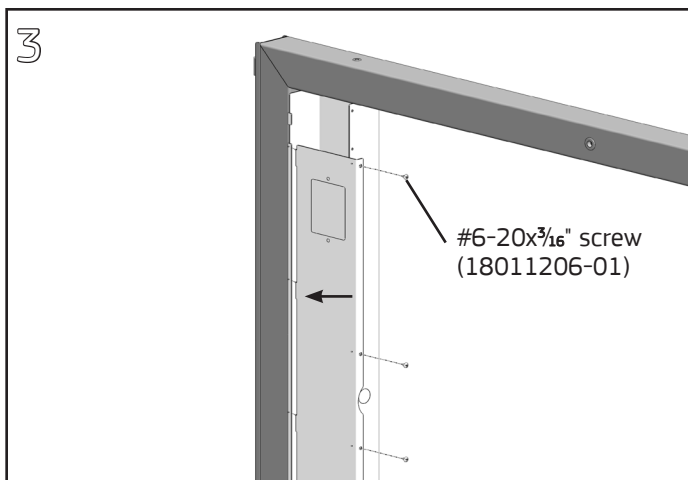
- #2 Phillips Screwdriver
- 5/32" Allen Wrench



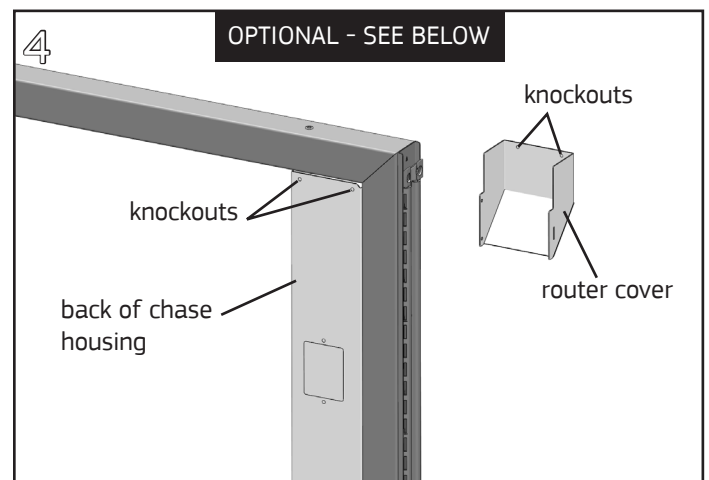
Align the large holes in the 2" side of the housing channel with the threaded inserts on the inside of the UltraFrame tube. Fasten housing to frame at the top and bottom with (2) 1/4-20x3/4" socket button head screws and (2) Belleville washers using a 5/32" Allen wrench.



Remove knockouts as needed in housing channel and housing cover as necessary; install utilities.

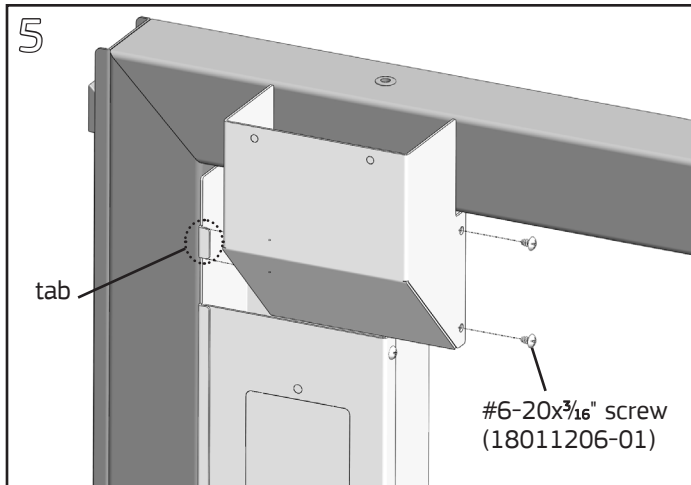


Align tabs on cover with slots in the short flange of the housing. Slide cover into slots and align holes in the cover flange with the holes in the housing. Fasten cover to housing with (9) #6-20x3/16" Phillips pan head screws using a #2 Phillips screwdriver.



*Optional:* If installing a Vertical Utility Chase Extender on this Vertical Utility Chase Housing, knock out holes on the front of the router cover and on the back of the housing. Do not proceed to step 5 until Vertical Utility Chase Extender is fully installed.

## Vertical Utility Chase Housing



Align slot in the side of the routing cover with the tab on the routing housing. Slide routing cover over tab and fasten with (2) #6-20x $\frac{3}{16}$ " Phillips pan head screws using a #2 Phillips screwdriver.