

Electrical Distributor, Single-sided Face-mount with Grounding Kit

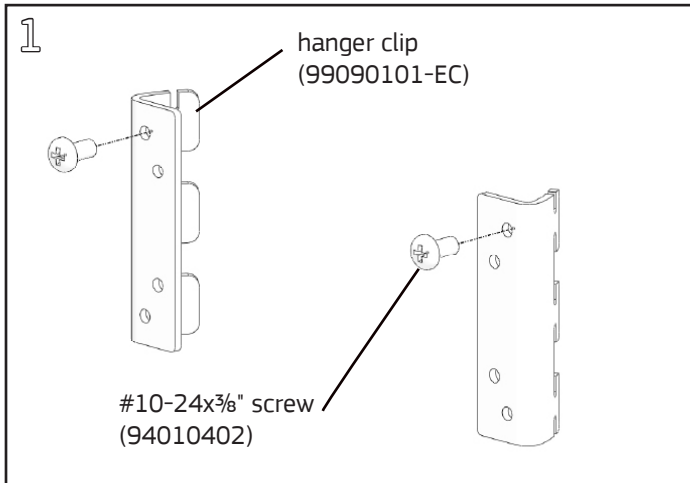
Product Numbers

- EDSFG48
- EDR20S

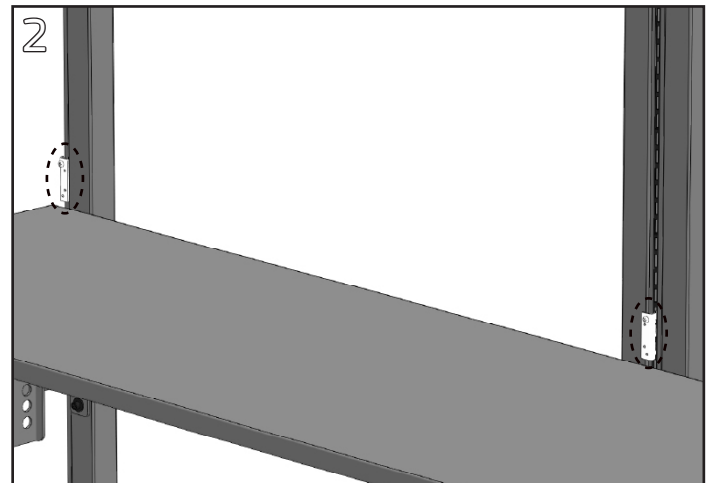
Hardware Pack: EDHP (p/n 11051511-01)

Required Tools:

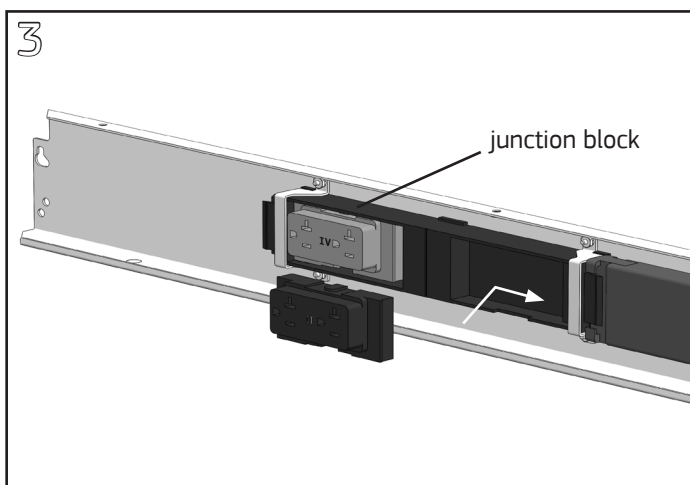
- #2 Phillips Screwdriver
- $\frac{7}{16}$ " Wrench or Nutdriver



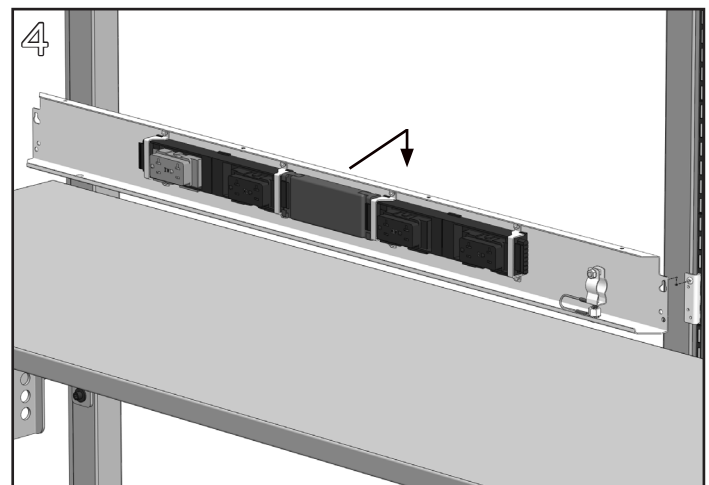
Install a #10-24x $\frac{3}{8}$ " Phillips pan head screw into the top tapped hole of two hanger clips. Leave a $\frac{1}{8}$ " gap between the head of the screw and the face of the clip.



Install a hanger clip on the left and right side of the frame at the same height with the screws at the top of each clip.

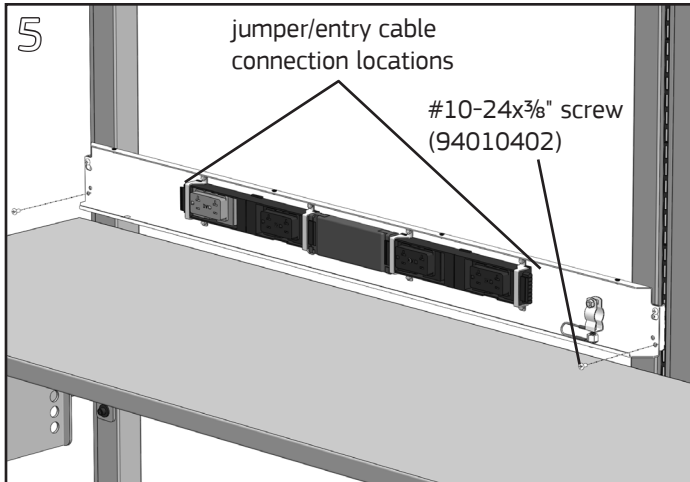


Install the Duplex Receptacles by inserting the receptacle into the junction block and sliding it to either the left or right until it clicks into place.

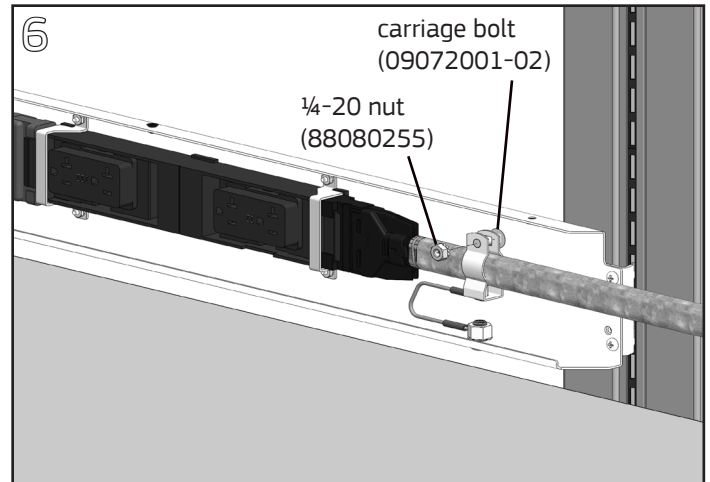


Align the bottom of the keyslots in the Electrical Distributor base with the heads of the #10-24 screws in the hanger clips from step 2. Slide the distributor down over the screws to engage.

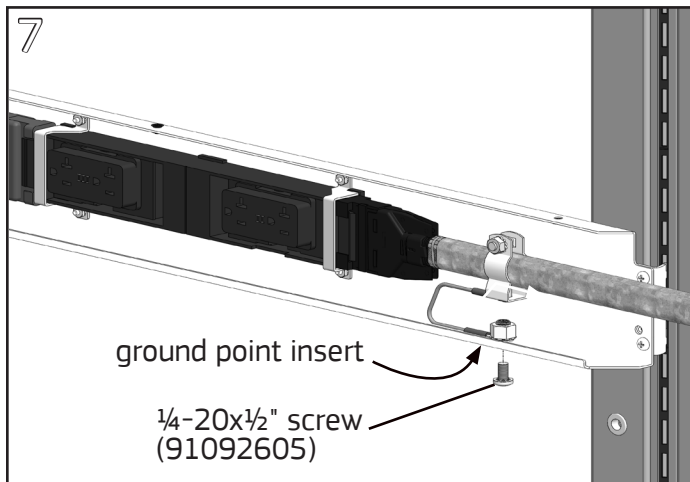
Electrical Distributor, Single-sided Face-mount with Grounding Kit



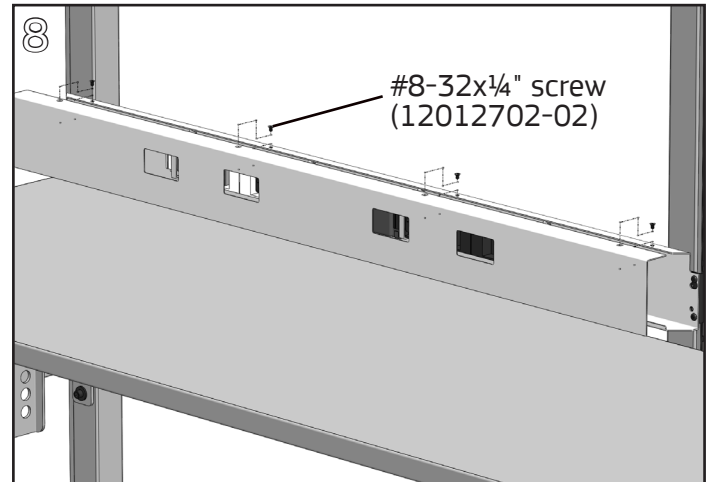
Install an additional #10-24x3/8" Phillips pan head screw in the hole below the keyslot in each hanger clip. Fully tighten all hanger clip screws with a #2 Phillips screwdriver. Install required jumper/entry cables at the connection locations per additional instructions before proceeding to step 6.



Remove the 1/4"-20x3/4" carriage bolt and 1/4"-20 hex nut to open the conduit clamp. Slide the conduit clamp over the Electrical Distributor Jumper Cable and refasten the clamp with carriage bolt and nut, tightening nut using a 7/16" wrench/nutdriver so the conduit clamp makes contact with, but does not crush, the jumper conduit.



Test ESD ground path. Remove the 1/4"-20x1/2" Phillips pan head sems ground point screw from ground point insert on the bottom right-hand side of the Electrical Distributor housing. Attach the ground cord for the component to be grounded to the ground point screw and refasten to ground point insert using a #2 Phillips screwdriver.



Align the openings in the Electrical Distributor cover with the duplex receptacles, placing the top flange of the cover on top of the base. Align all countersunk holes in the cover with the holes in the base. Install a #8-32x1/4" flathead Phillips screw in each countersunk hole and fully tighten with a #2 Phillips screwdriver.