

## Frame-Mount Drain Board

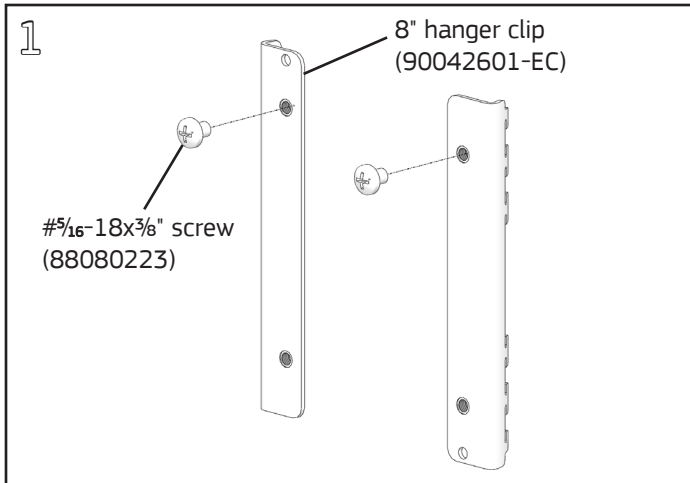
### Product Numbers

- DBF1824y
- DBF24xxy
- DBF30xxy
- DBF36xxy

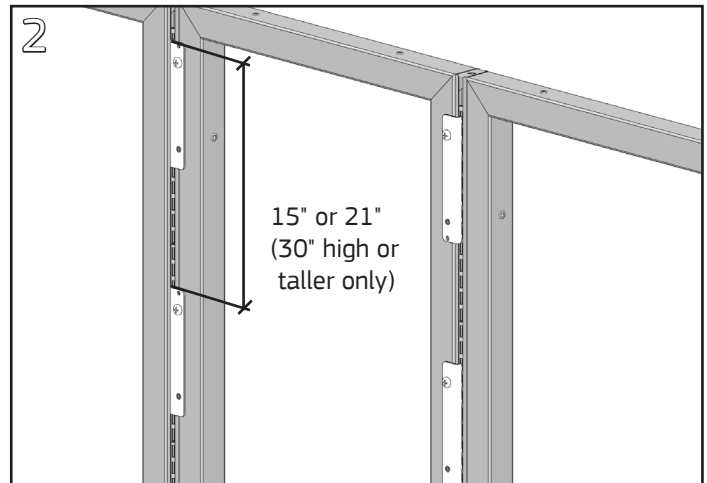
### Required Tools

- #2 Phillips Screwdriver

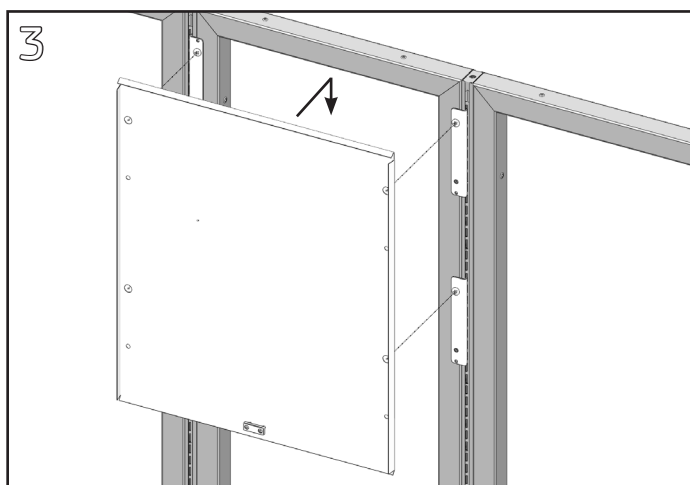
Hardware Pack: HCP8 (p/n 90060101)



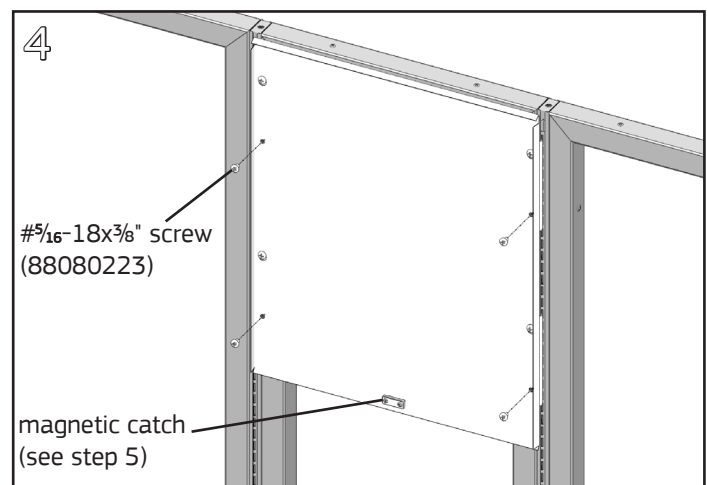
Install a  $\frac{5}{16}$ -18x $\frac{3}{8}$ " Phillips pan head screw into the top of each hanger clip. Leave a  $\frac{1}{8}$ " gap between the screw and clip. For Drain Boards 30" high and taller, two pairs of hanger clips are provided.



Install a hanger clip on the left and right side of the frame or panel with the screws at the top of each clip. The top of the Drain Board will be  $2\frac{3}{8}$ " above the top clip for 18", 30" and 36" high boards. The top of a 24" high Drain Board will be  $5\frac{3}{8}$ " above the top clip. For 30" high Drain Boards, install a second set of hanger clips 15" below the top set. 36" high Drain Boards will require a second set of clips 21" below the top set.

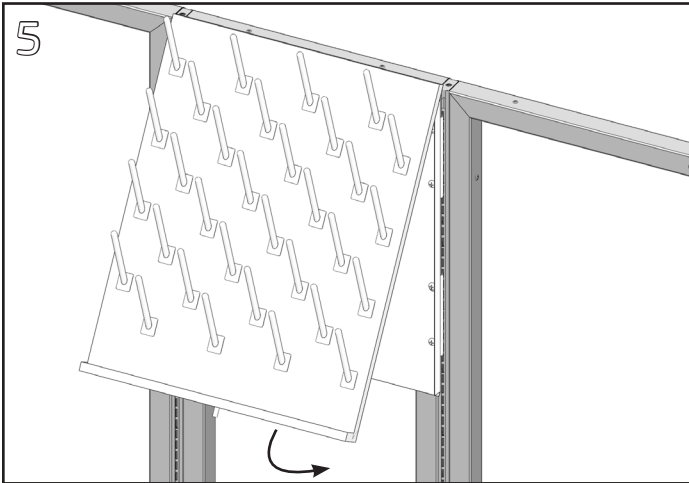


Align the large holes in the back panel of the Drain Board with the screws in the clips. Slide the panel down over the screws to engage.



Install an additional  $\frac{5}{16}$ -18x $\frac{3}{8}$ " Phillips pan head screw into the bottom of each hanger clip. Fully tighten all top and bottom clip screws with a #2 Phillips screwdriver.

## Frame-Mount Drain Board



Install pegs in the Drain Board front panel. Hook the top flange of the front panel over the top of the back panel and rotate the bottom of the front panel down until the magnet catches at the bottom.