

## MFS Corner Support Bracket, 18" Deep

### Product Numbers

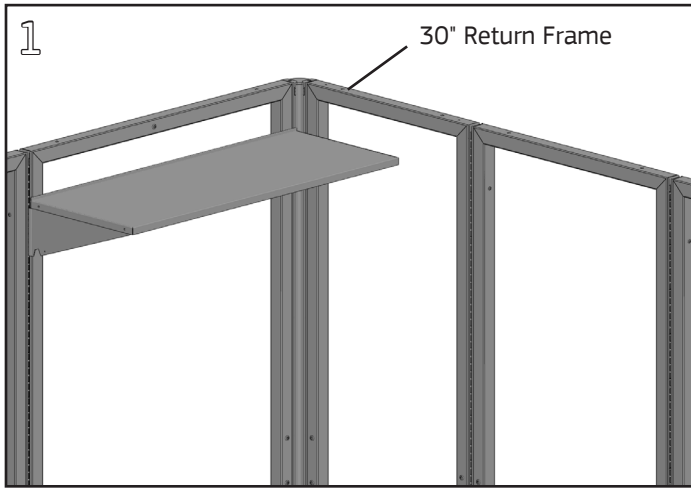
- MFCBL1812
- MFCBR1812

### Required Tools

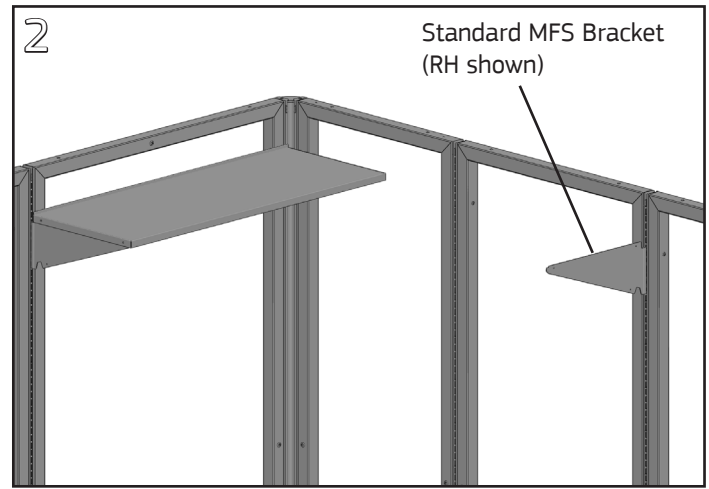
- #2 Phillips Screwdriver

**Hardware Pack:** MFCB18HPBK or ZN, (p/n 16101712-01-BK or -ZN)

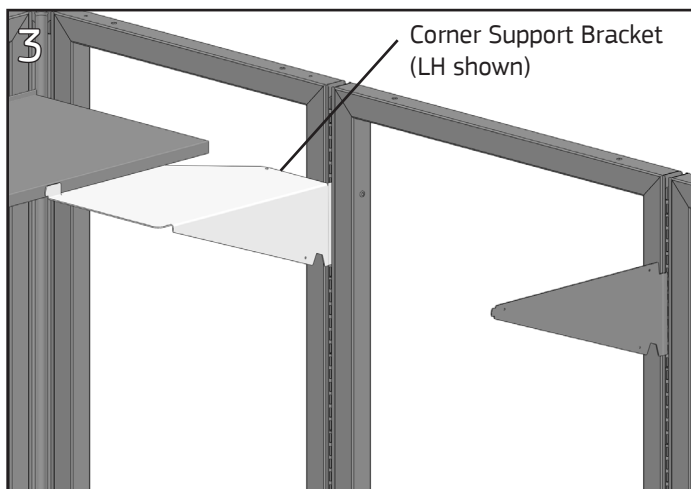
**Note:** This product is designed to be used with two standard 18" deep Multi-Function Shelves, to be ordered separately, and is intended for use in a corner with a 30" wide return frame.



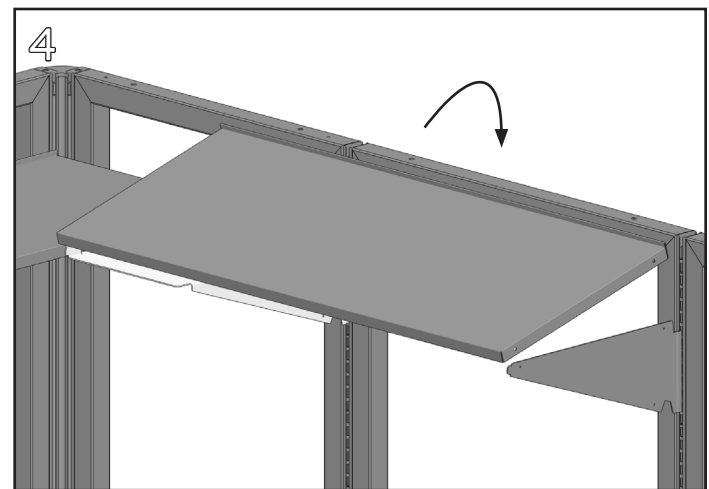
Install a Multi-Function Shelf per standard installation instructions on the frame perpendicular to the 30" return frame.



Install the standard Multi-Function Shelf Bracket (included with MFS18xx) at the same height as the first shelf on the frame connected to the 30" return frame. The opposite hand shelf bracket included with MFS18xx will not be needed.



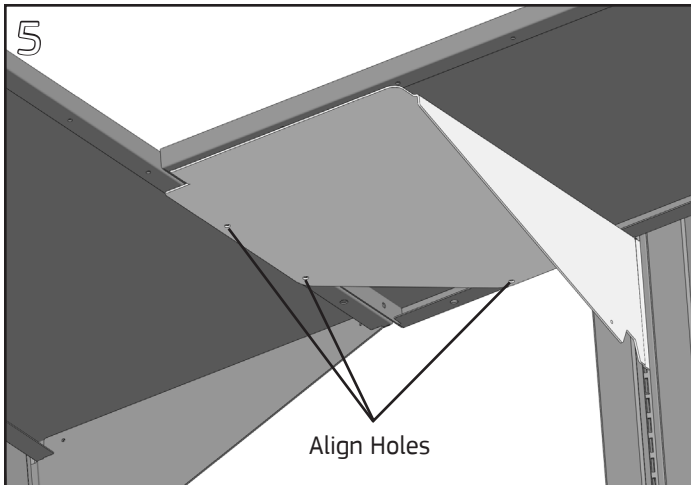
Install the corner support bracket on opposite side of the frame, aligning the bottom of this bracket with the bottom of the standard bracket. The top flange of the corner support bracket will slide under the front edge of the first shelf.



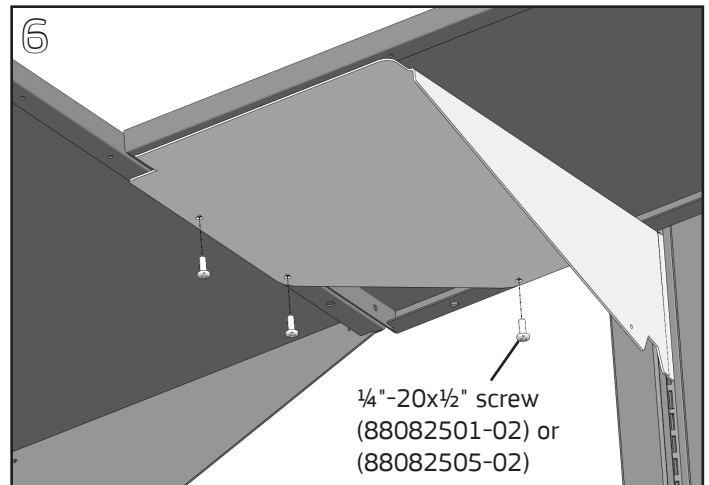
Align the front tips of the standard shelf bracket and corner support bracket with the inside faces of the shelf sides. Rotate the shelf back until it drops over the back of the brackets.

# INSTALLATION INSTRUCTIONS

## MFS Corner Support Bracket, 18" Deep



On the underside of the shelf, align the holes in the top flange of the corner support bracket with the holes in the front bottom flange of the first shelf and the rear hole on the second shelf.



Fasten corner support bracket to both shelves with (3) 1/4\"-20x1/2\" Phillips pan head screws using a #2 Phillips screwdriver or bit/cordless drill.