

COMPUTER ACCESSORIES

Modesty Panel

PRODUCT NUMBERS

PMPxx

HARDWARE PACK

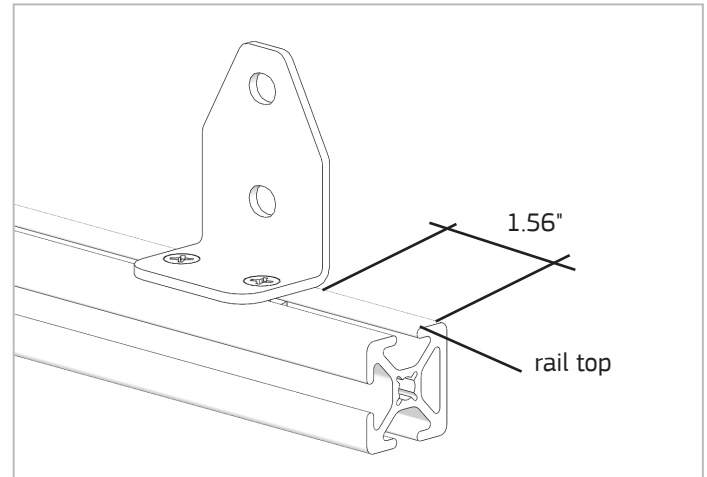
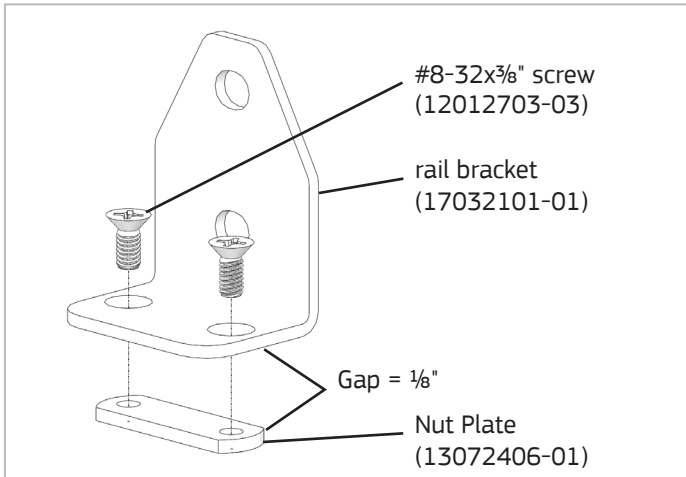
PMP2HP or PMP3HP (p/n 17091403-02 or -03)

REQUIRED TOOLS

#2 Phillips Screwdriver

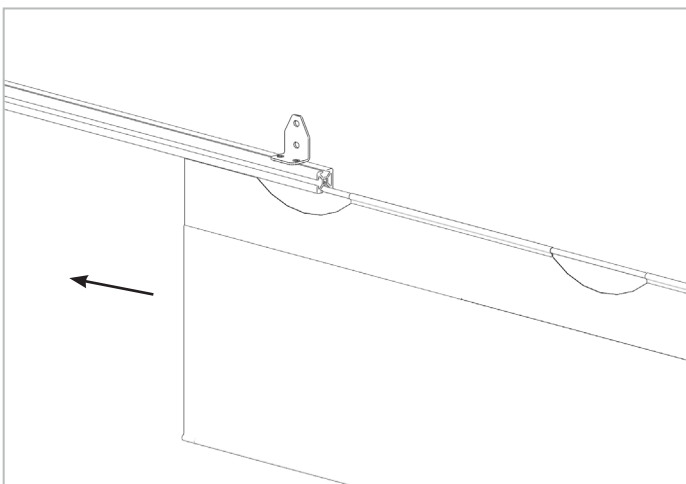
Tape Measure

5/32" Hex Wrench

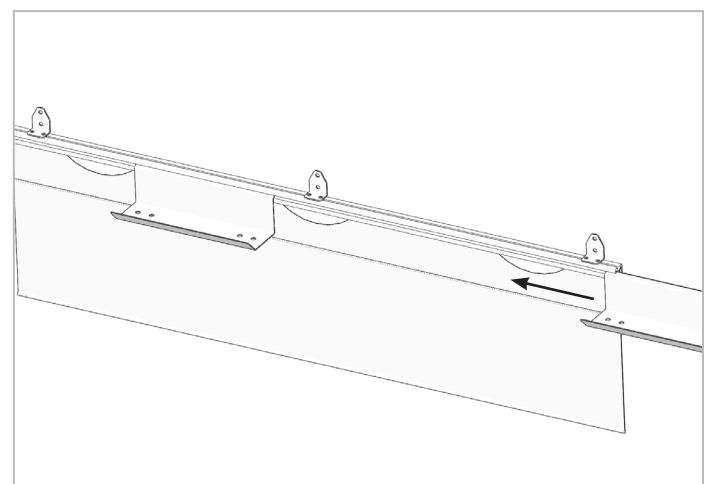


1. Preassemble a nut plate to each rail bracket using (2) #8-32x3/8" Phillips flat head screws. Leave approximately a 1/8" gap between the bottom of the bracket and top of nut plate. Modesty Panels that are 48" wide or less will require two bracket sets. Three bracket sets are required for panels wider than 48".

2. Slide the bracket sets into the top of the rail. For panels larger than 48", center one bracket set over the width of the rail and tighten with a **#2 Phillips screwdriver**. Position the remaining bracket sets 1.56" from each end of the rail and tighten securely.



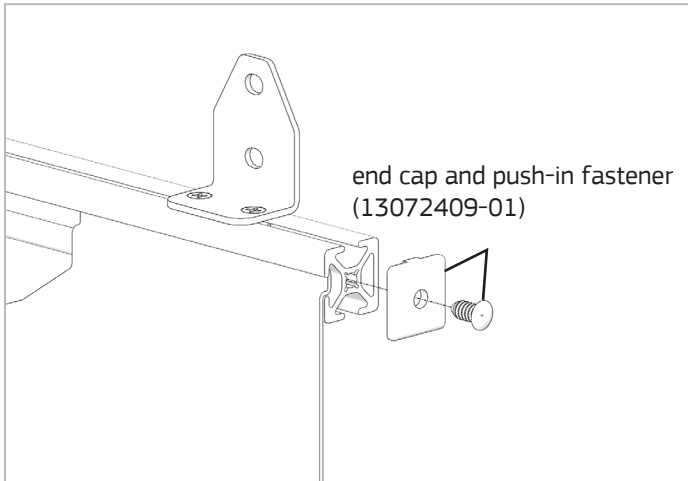
3. Slide the modesty panel into the bottom slot of the rail.



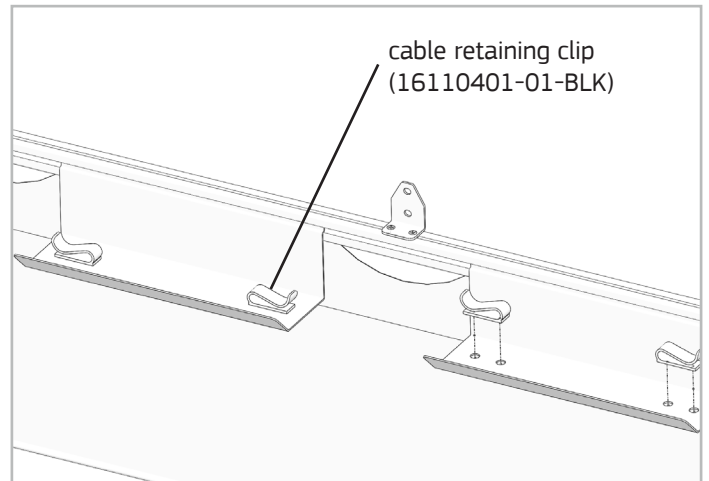
4. Slide the cable trays in the rail slot, centering tray between pass-thru notches in modesty panel.

COMPUTER ACCESSORIES

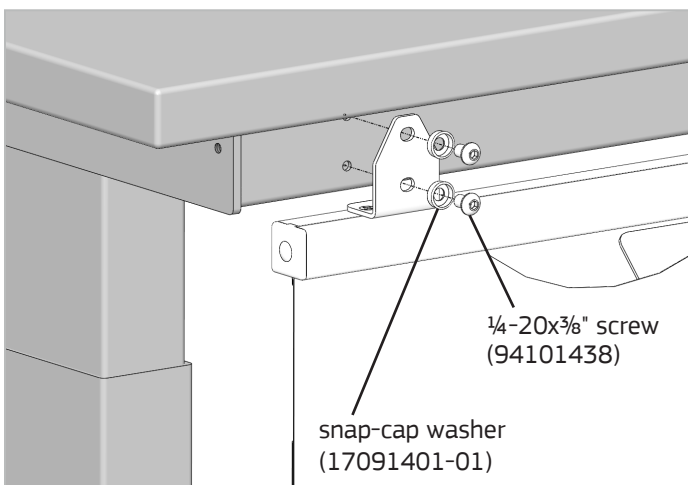
Modesty Panel, continued



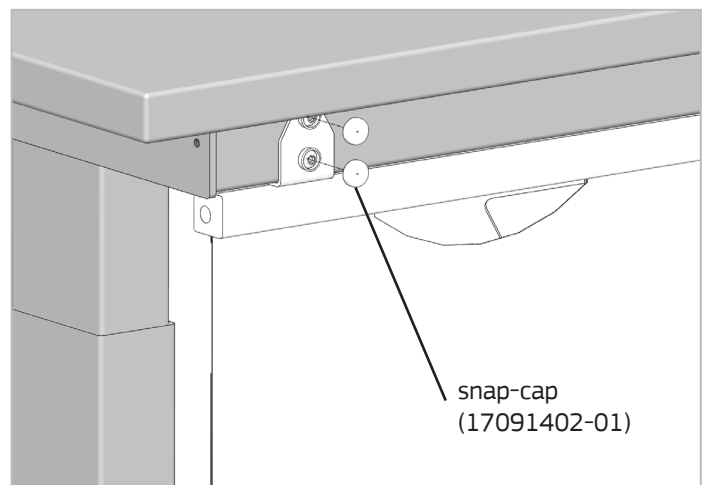
5. Fasten an end cap to each end of the rail with a push-in fastener.



6. Install cable retaining clips in the double hole patterns in the bottom of the cable trays.



7. Align the rail brackets with the tapped holes in the back of the ErgoStat Pro stretcher. Fasten each bracket with (2) snap-cap washers and (2) 1/4"-20x3/8" socket button head screws, tighten securely with a 5/32" hex wrench.



8. Press decorative snap-caps onto all snap-cap washers.