

## COMPUTER ACCESSORIES

### Cable Tray

#### PRODUCT NUMBERS

PCTAxx

#### HARDWARE PACK

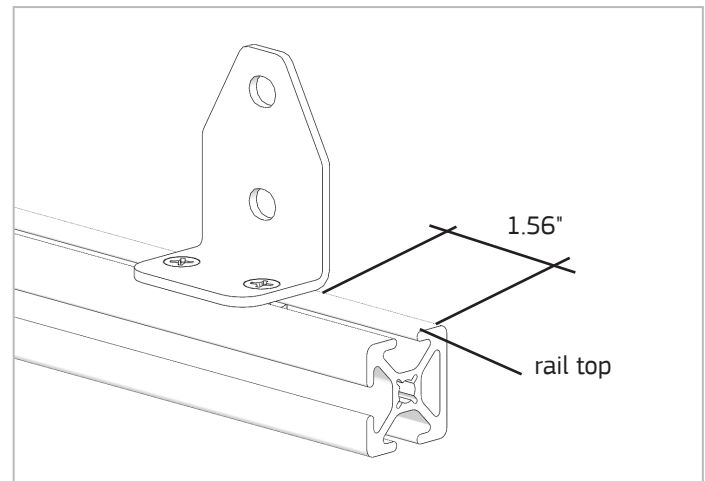
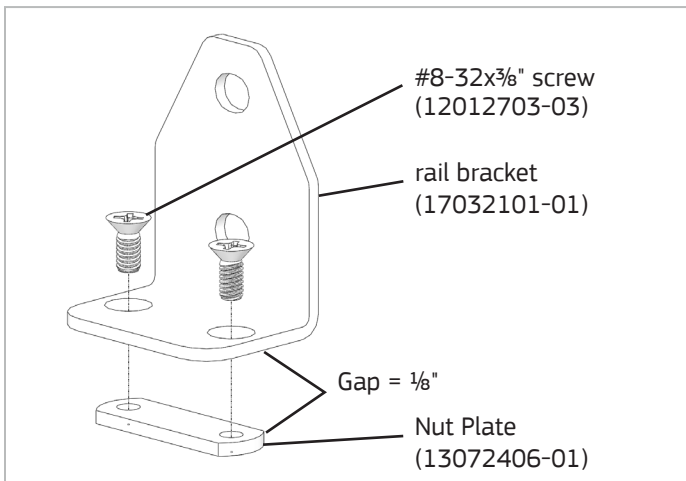
PCTA2HP or PCTA3HP (p/n 17091404-02 or -03)

#### REQUIRED TOOLS

#2 Phillips Screwdriver

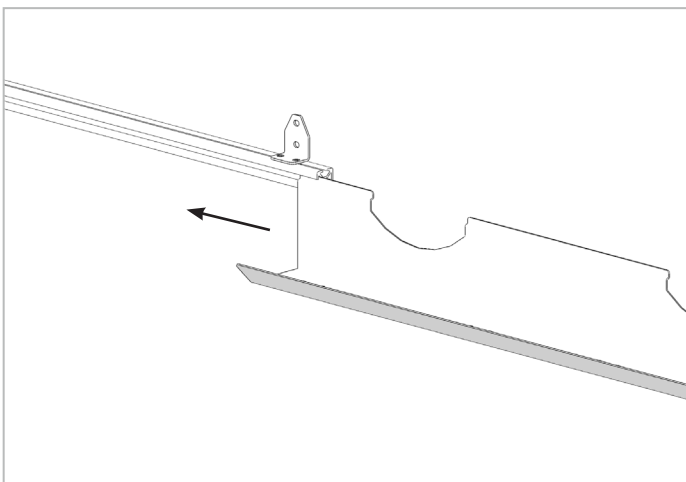
Tape Measure

$\frac{5}{32}$ " Hex Wrench

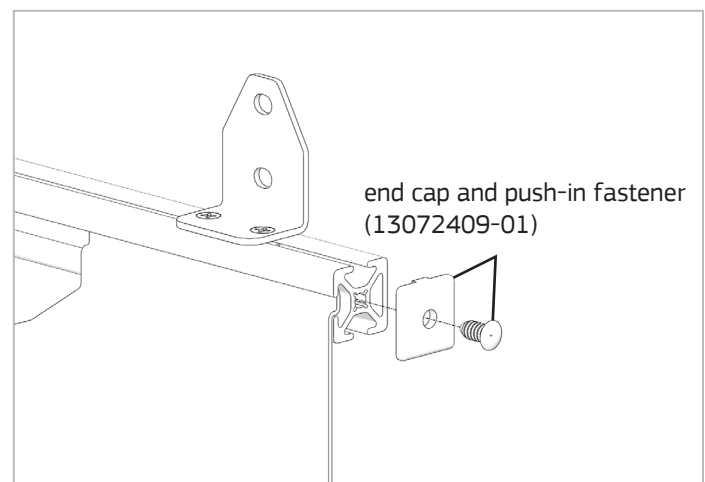


1. Preassemble a nut plate to each rail bracket using (2) #8-32x $\frac{3}{8}$ " Phillips flat head screws. Leave approximately a  $\frac{1}{8}$ " gap between the bottom of the bracket and top of nut plate. Cable Trays that are 48" wide or less will require two bracket sets. Three bracket sets are required for trays wider than 48".

2. Slide the bracket sets into the top of the rail. For trays larger than 48", center one bracket set over the width of the rail and tighten with a #2 Phillips screwdriver. Position the remaining bracket sets 1.56" from each end of the rail and tighten securely.



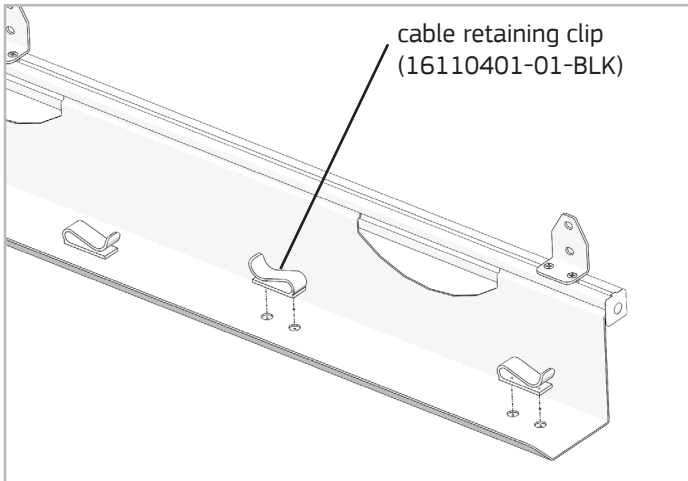
3. Slide the tray into the slot on the rail.



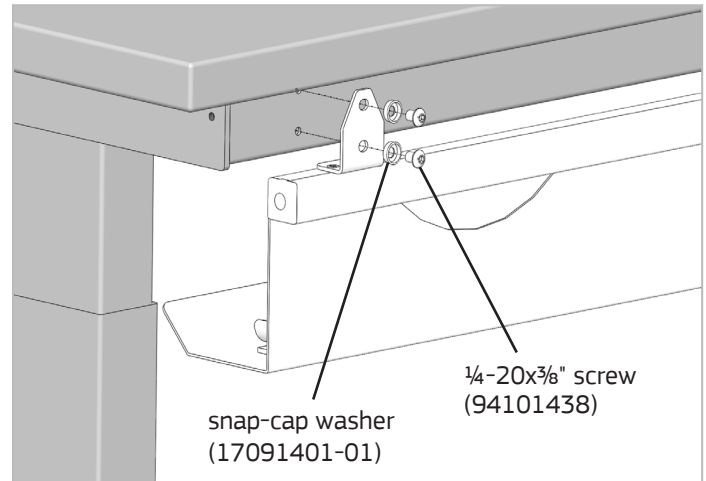
4. Fasten an end cap to each end of the rail with a push-in fastener.

COMPUTER ACCESSORIES

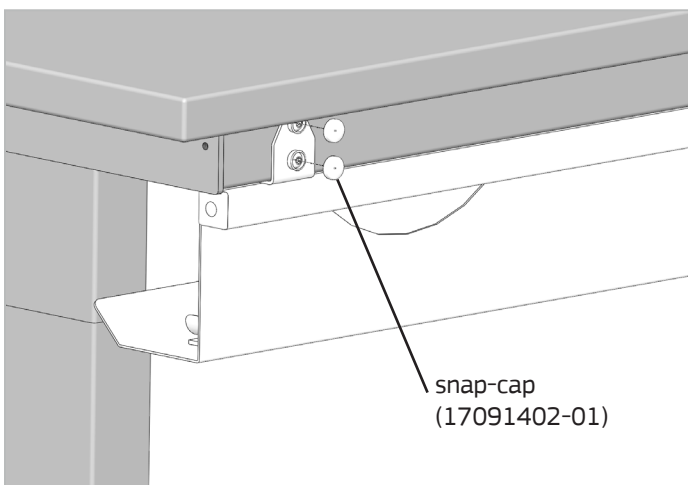
Cable Tray, continued



5. Install cable retaining clips in the double hole patterns in the bottom of the cable tray.



6. Align the rail brackets with the tapped holes in the back of the ErgoStat Pro stretcher. Fasten each bracket with (2) snap-cap washers and (2) 1/4"-20x3/8" socket button head screws, tighten securely with a 5/32" hex wrench.



7. Press decorative snap-caps onto all snap-cap washers.