

SHELVING

Multi-Function Shelf

PRODUCT NUMBERS

PMFS11xx, PMFS15xx

HARDWARE PACK

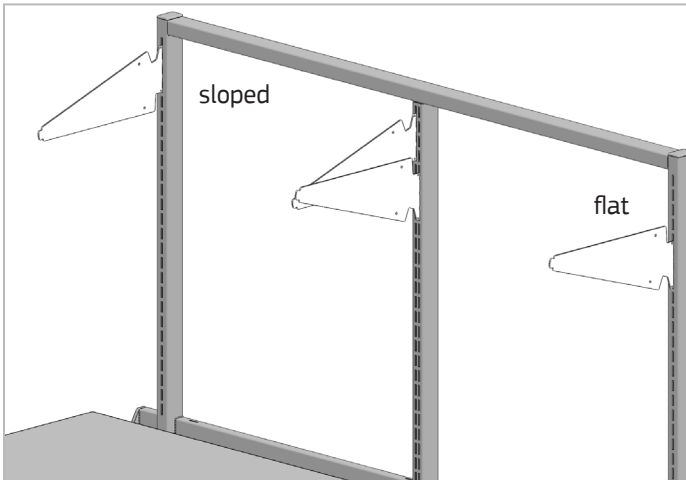
PMFSHP (p/n 16032907-01)

REQUIRED TOOLS

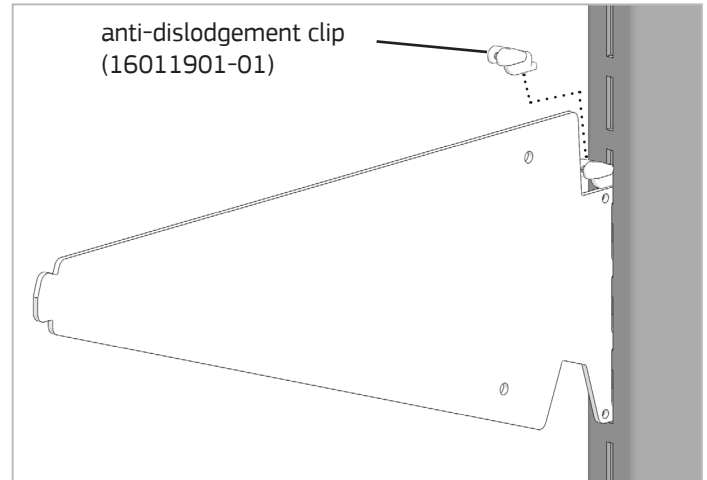
Tape Measure

#2 Phillips Screwdriver and/or

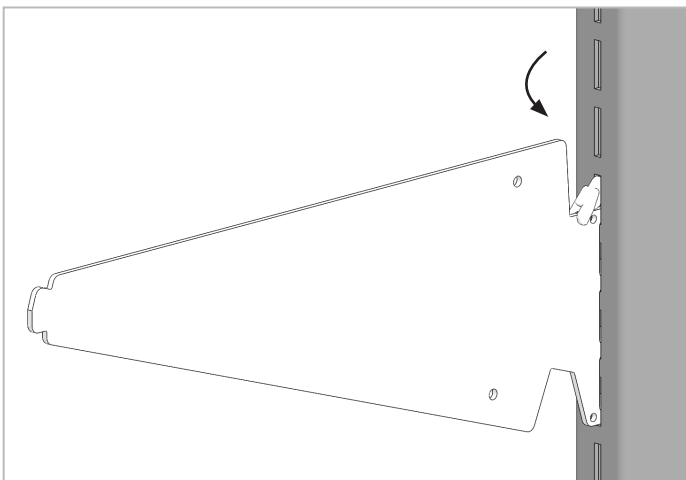
#2 Phillips Bit with Cordless Drill Driver



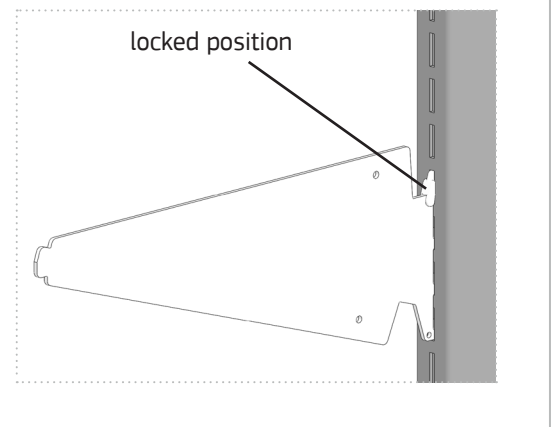
1. Engage the brackets in the left and right sides of the Riser Frame in either a flat or sloped position. Ensure the brackets are firmly seated in the slots and use a **tape measure** to verify both brackets are at the same height.



2. Insert tip of anti-dislodgement clip into slot above top hook of shelf bracket as shown.

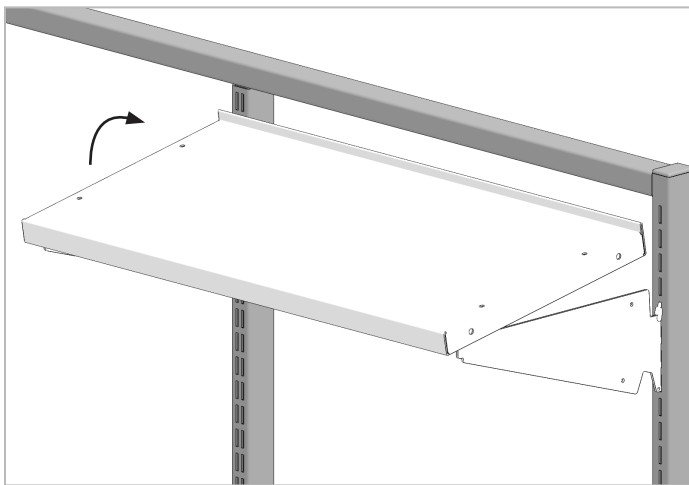


3. Rotate anti-dislodgement clip down until bottom of the clip snaps into the hole near the top hook of the shelf bracket. Repeat on opposite side.

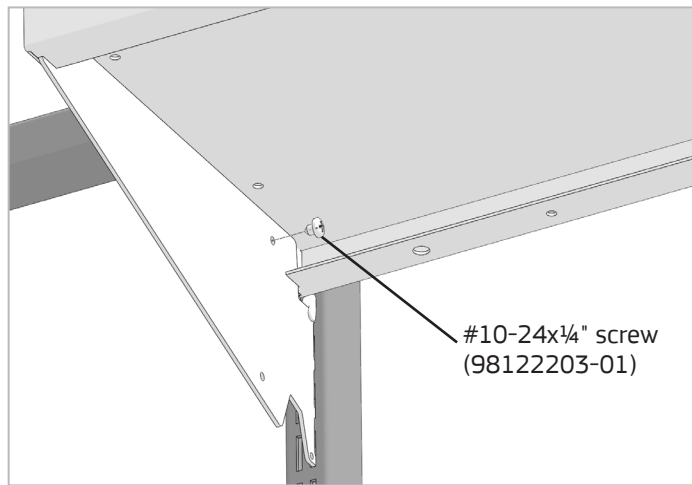


SHELVING

Multi-Function Shelf, continued



4. Align the front tips of the shelf brackets with the inside faces of the shelf sides. Rotate the shelf back until it drops over the back of the shelf brackets.



5. Install one #10-24x1/4" Phillips pan head screw under the shelf near the back in the hole of each bracket. Fasten securely with a **#2 Phillips screwdriver or bit with cordless drill** on both sides of the shelf.