

ErgoStat® Pro

SHELVING

Bookend Shelf

PRODUCT NUMBERS

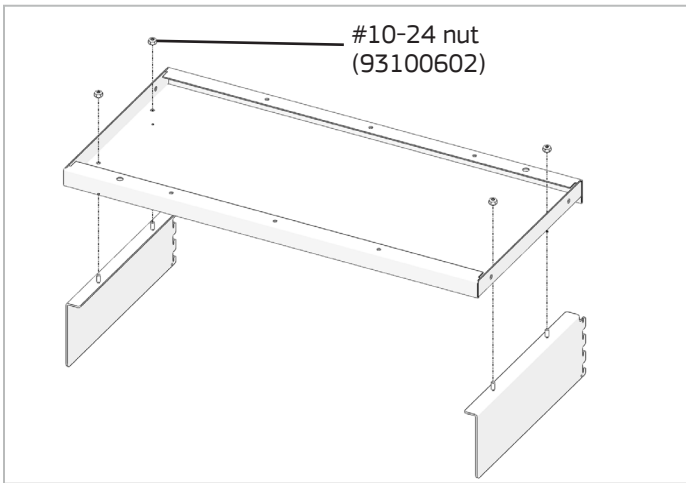
PBES11xx, PBES15xx

HARDWARE PACK

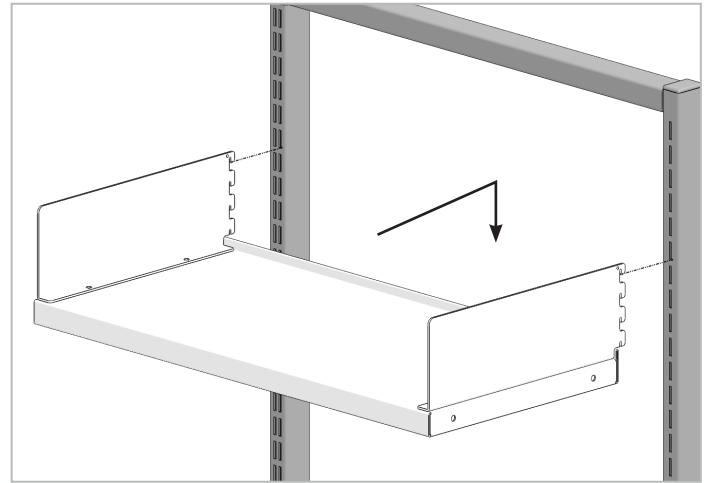
PBESHP (p/n 16052720-01)

REQUIRED TOOLS

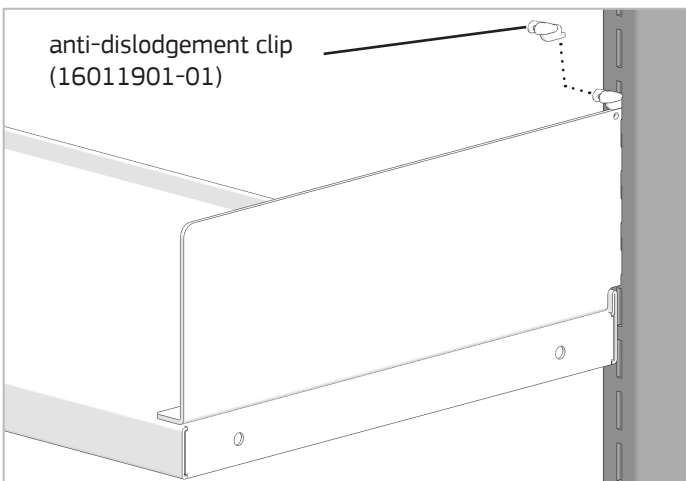
$\frac{3}{8}$ " Nutdriver or Socket Wrench



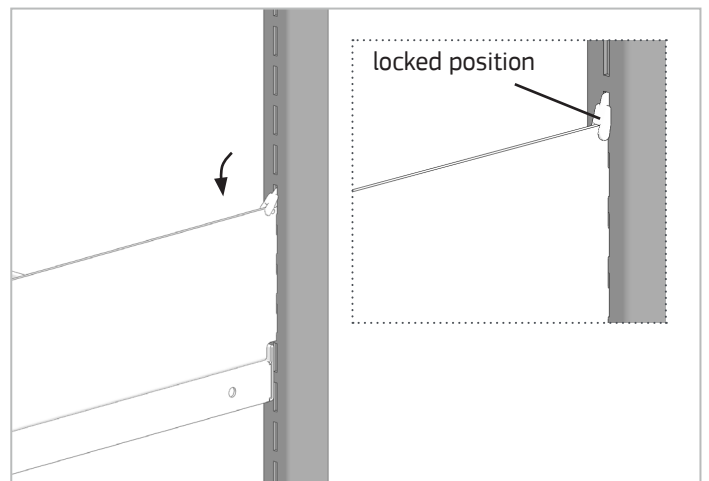
1. Shelf can be oriented with lip forward or back. Align threaded studs in shelf brackets with holes in shelf. Fasten with (2) #10-24 nylon-insert lock nuts per side using a $\frac{3}{8}$ " nutdriver or socket wrench. Do not exceed a nut tightening torque of 24 in-lbs.



2. Insert bracket hooks into slots in ErgoStat Pro Riser Frame. Push shelf down to ensure it is firmly seated.



3. Insert tip of anti-dislodgement clip into slot above top hook of shelf bracket as shown.



4. Rotate anti-dislodgement clip down until bottom of the clip snaps into the hole near the top hook of the shelf bracket. Repeat on opposite side.