

# ErgoStat® Pro

## BASES AND RISER FRAMES

### Base

### PRODUCT NUMBERS

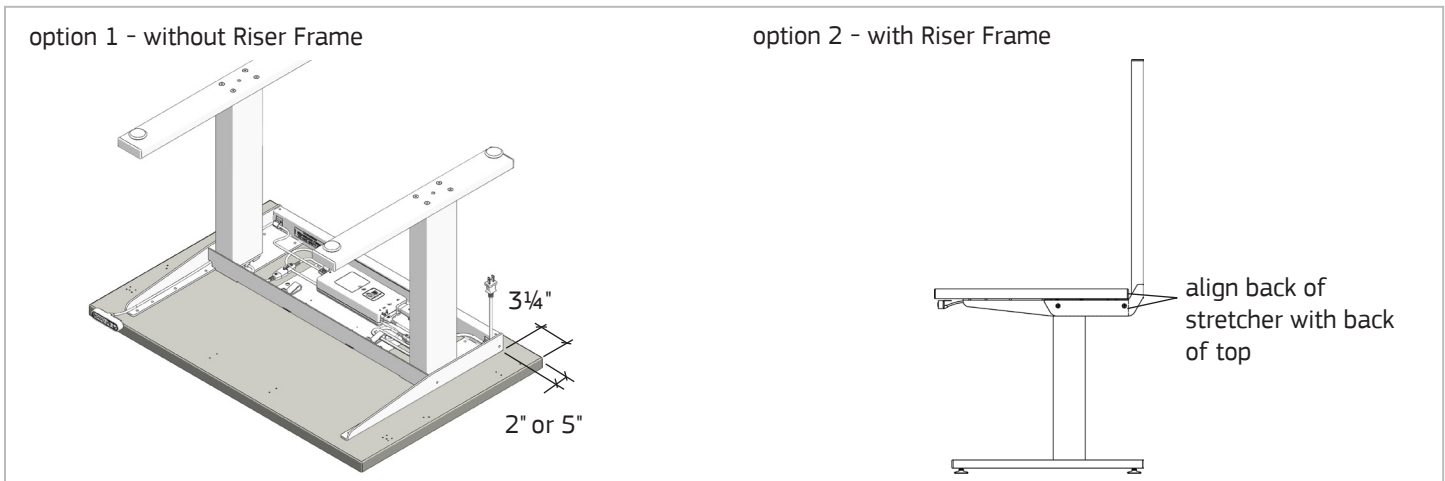
PERGxxyy, PERCxyy

### HARDWARE PACK

PERHP (p/n 16032903-01)

### REQUIRED TOOLS

Cordless Drill/Driver, 4mm Hex Bit or Allen wrench,  
#2 Phillips Bit and/or Screwdriver, 1/8" Drill Bit

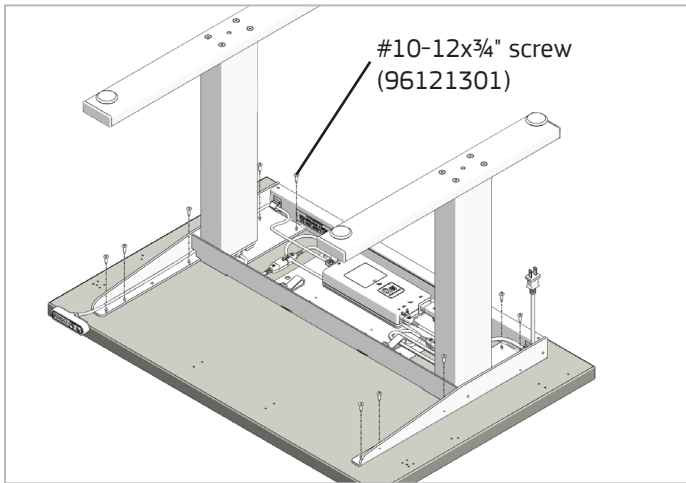


**1. Option 1:** If a Riser Frame **will not be attached to the base**, install the top (not included) with base upside down. Center the base over the width of the top and align the back of the base so the top rear overhang is 2" for a 24" or 30" deep top, or 5" for a 36" deep top. Drill 1/8" diameter x 1/2" deep pilot holes to align with the holes in the stretcher top supports as needed.

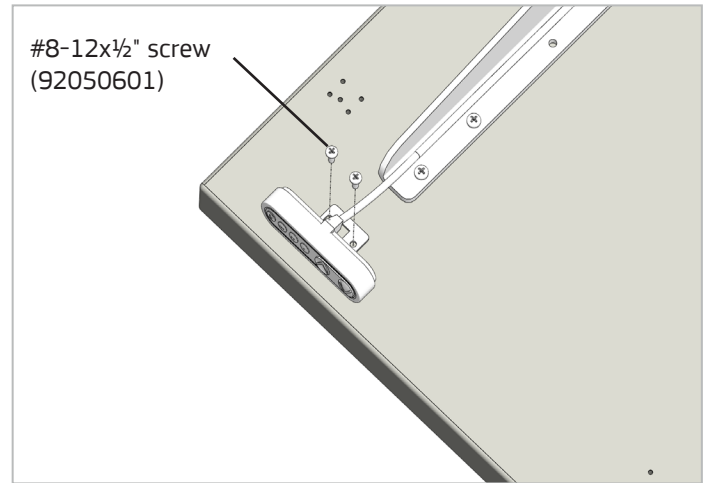
**Option 2:** If a Riser Frame is to be **used with the base**, mount the frame first. Then position the top centered left to right with the back of the base aligned with the back of the top.

## BASES AND RISER FRAMES

### Base, continued



2. Attach top to the base with (5) #10-12x $\frac{3}{4}$ " Phillips pan head screws per side.



3. Secure the hand control with (2) #8-12x $\frac{1}{2}$ " Phillips pan head screws.

4. Before using your ErgoStat Pro base, follow the steps below to initialize the table.

- First, ensure there are no hanging components or obstacles underneath the worksurface that could be damaged when lowering the table to its lowest position.
- Press and hold the down button on the control switch until the table comes to a complete stop in its lowest position.
- Release the down button. Wait 2-3 seconds and press the down button once again.
- Release the down button. The table should now be initialized and work as expected.