

4-Legged Table Suspended Base Cabinet Brackets

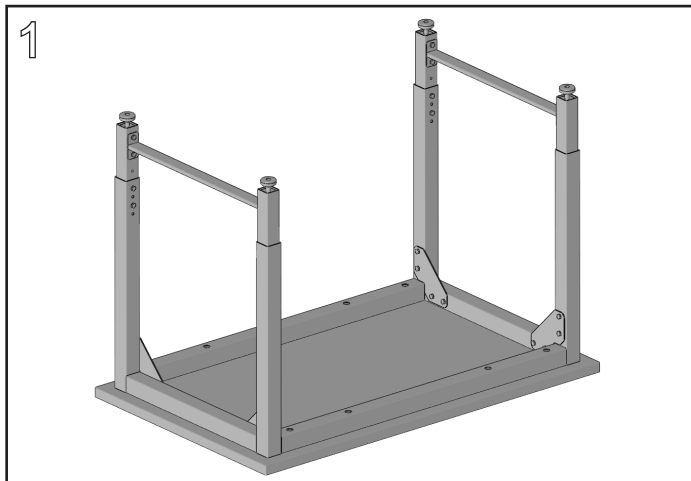
Product Numbers

- LUCB4MB

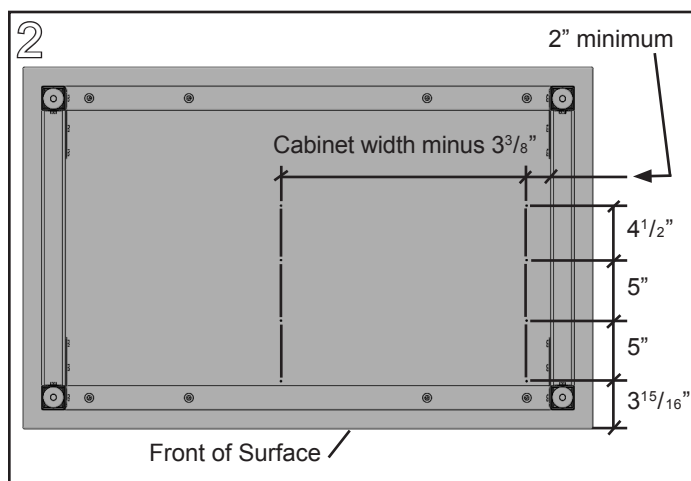
Hardware Pack: LUCB4MBHP (p/n 14111205-01)

Required Tools

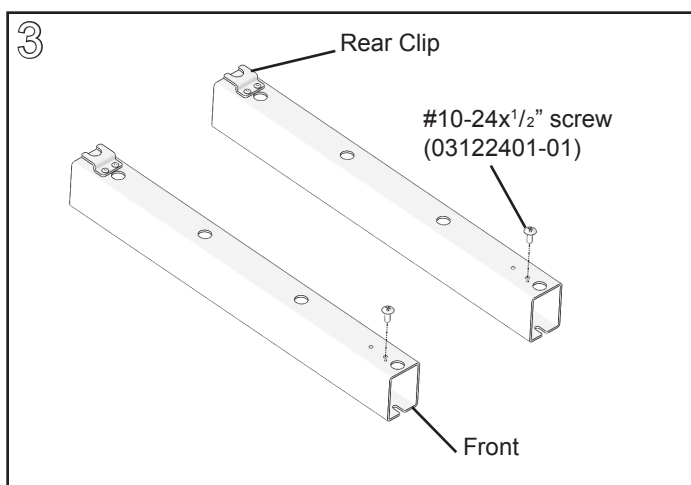
- 1/8" Drill Bit
- #2 Phillips Screwdriver and/or #2 Phillips Bit
- Cordless Drill/Driver
- Tape Measure



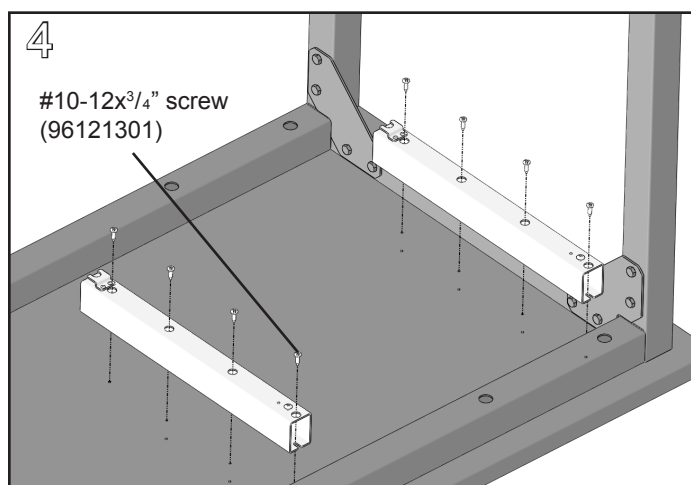
Mount surface to table per 4-Legged Table instructions.



Mark hole locations for Cabinet Brackets as shown. Bracket may be used as template. Note cabinet will overhang hole pattern so ensure there is at least 2" clearance left and right of the hole pattern. Drill pilot holes with 1/8" drill bit and cordless drill/driver, 1/2" depth recommended.



Preassemble one #10-24x1/2" Phillips truss head machine screw in the front tapped hole of each bracket, leaving a 1/4" gap between the underside of the screw head and bracket.



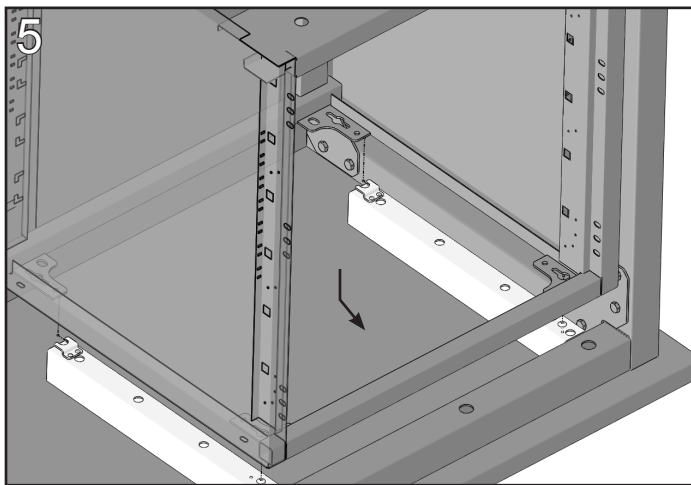
Mount the brackets to the surface with (4) #10-12x3/4" Phillips panhead screws per bracket using a cordless drill and #2 Phillips bit.

SYMBIOTE® Technical Furniture

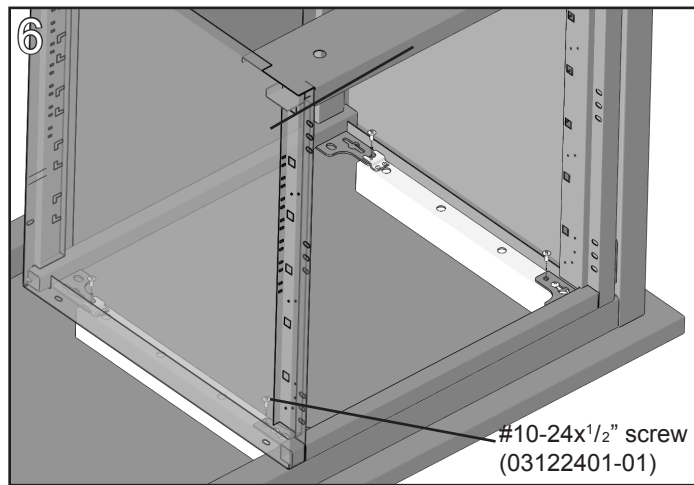
www.symbiote.com 300 N. Centennial Street Zeeland, MI 49464 ph: (616)772-1790 fx: (616)772-1797

Installation Instructions

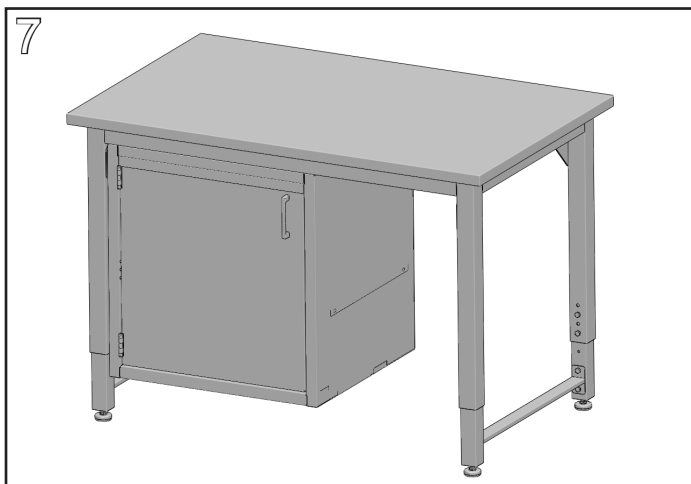
4-Legged Table Suspended Base Cabinet Brackets



Remove doors, drawers and shelves from Suspended Base Cabinet. Align the centers of the keyslot holes in the front of the cabinet with the screws from step 3. Place cabinet against bracket and pull cabinet forward. The rear keyslot plates on the cabinet will catch under the rear clip of the bracket and the front screw will slide in the front keyslot.



Tighten the front screw and install an additional #10-24x1/2" screw at the front and back of the left and right sides of the cabinet. Securely tighten all screws.



Reinstall doors, drawers and shelves in Suspended Base Cabinet per cabinet instructions.

SYMBIOTE[®] Technical Furniture

www.symbiote.com 300 N. Centennial Street Zeeland, MI 49464 ph: (616)772-1790 fx: (616)772-1797

p/n 14111204-01 rev A

sheet 2 of 2