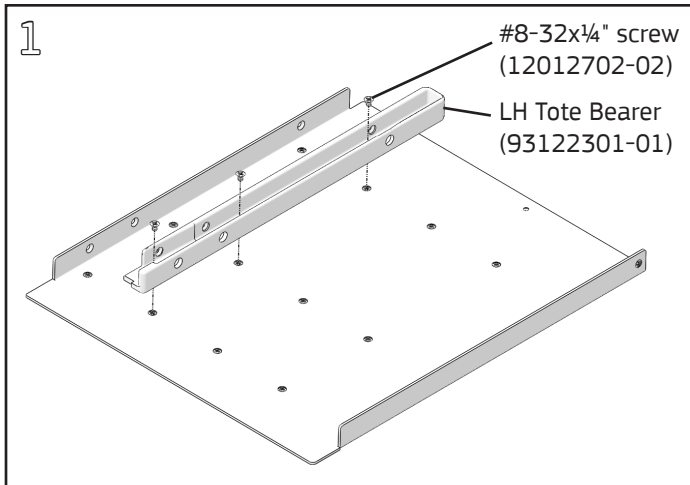


## Suspended Tote Holder, Rail-Mount

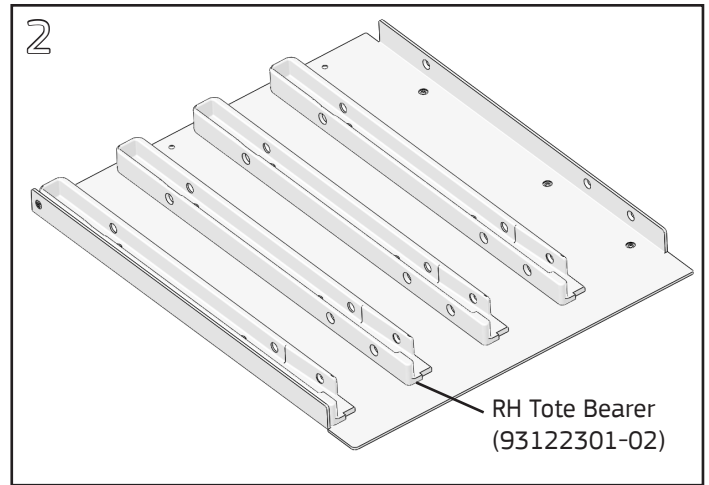
### Product Numbers

- STHR5

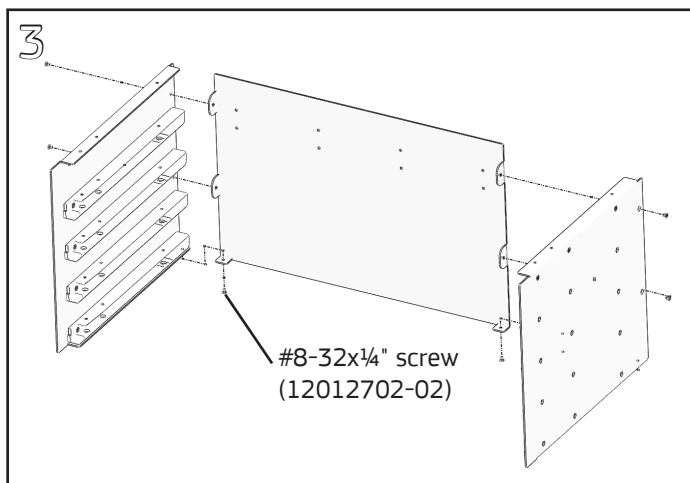
Hardware Pack: STHRHP (p/n 14090801-02)



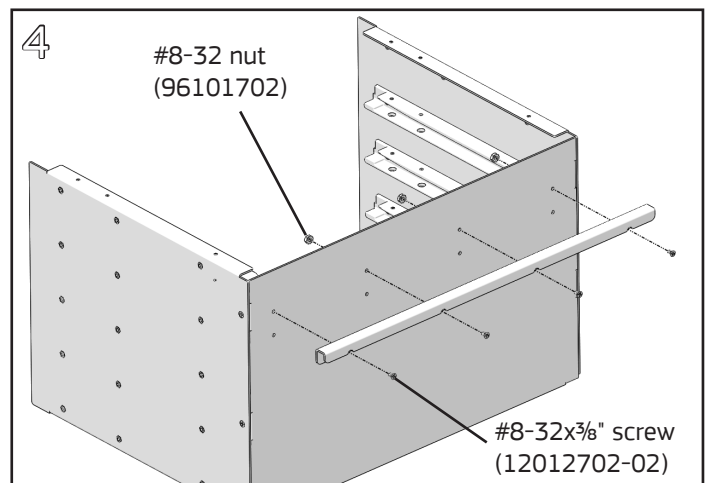
Lay the left-hand Tote Holder panel flat and assemble a left-hand tote bearer in all locations except the top with (3) #8-32x $\frac{1}{4}$ " Phillips flat head screws per bearer using a #2 Phillips screwdriver.



Repeat with right-hand Tote Holder panel.

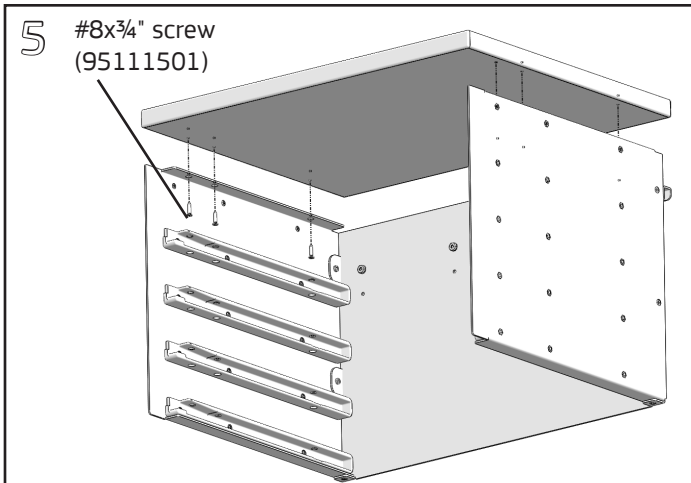


Assemble left and right Tote Holder panels to Tote Holder back using (6) #8-32x $\frac{1}{4}$ " Phillips flat head screws.

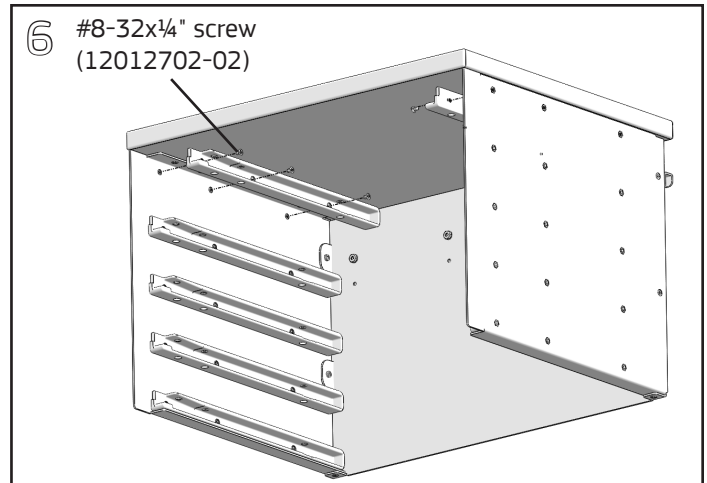


Attach the rail to the Tote Holder back with (4) #8-32x $\frac{3}{8}$ " Phillips flat head screws and (4) #8-32 nuts using a #2 Phillips screwdriver and  $\frac{3}{8}$ " nut driver. The upper set of holes in the back will align the top of the Tote Holder with adjacent surfaces mounted on C Legs, the lower set align with surface mounted on Lab Legs.

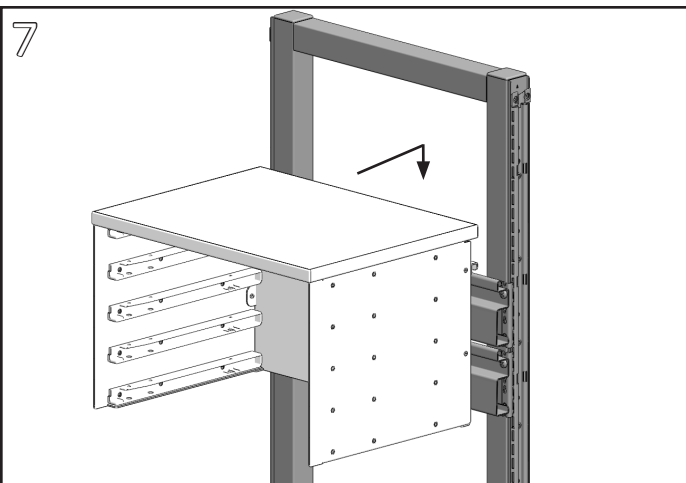
## Suspended Tote Holder, Rail-Mount



Align holes in top flanges of Tote Holder with the pilot holes in the surface. Attach with (6) #8x $\frac{3}{4}$ " Phillips flat head screws using a #2 Phillips driver.



Attach the left and right tote bearers in the top locations of the side panels with (3) #8-32x $\frac{1}{4}$ " Phillips flat head screws per bearer using a #2 Phillips screwdriver.



Hang unit on Tote Rails. Note: Two Tote Rails stacked vertically are required to support a Rail-Mount Tote Holder.