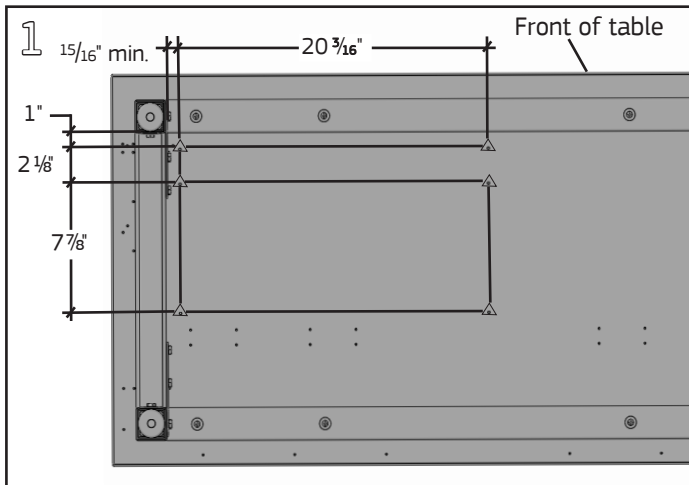


## Suspended Tote Holder, 4-Legged Table Mount

### Product Numbers

- STHF5

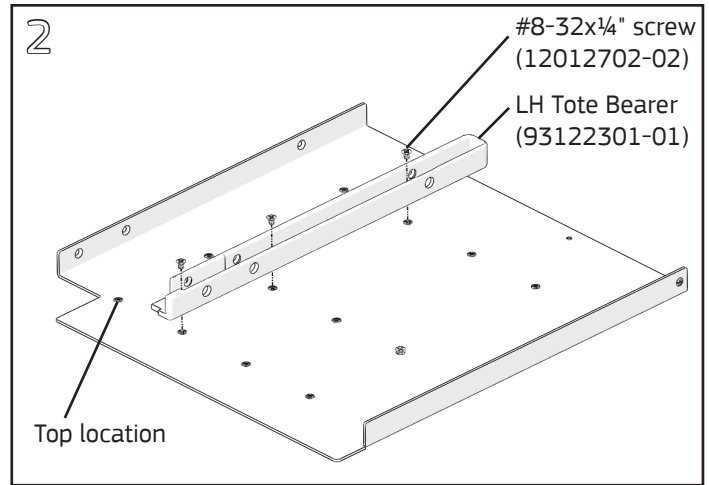
Hardware Pack: STHSHP (p/n 14090801-01)



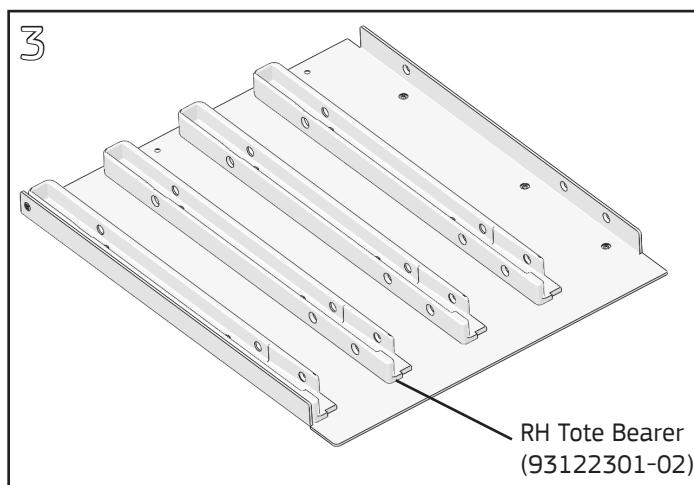
Determine placement of Tote Holder along width of table. Mark and drill (6)  $\frac{1}{2}$ " deep pilot holes in the surface per dimensions using a  $\frac{1}{8}$ " Drill Bit and cordless drill/driver.

### Required Tools

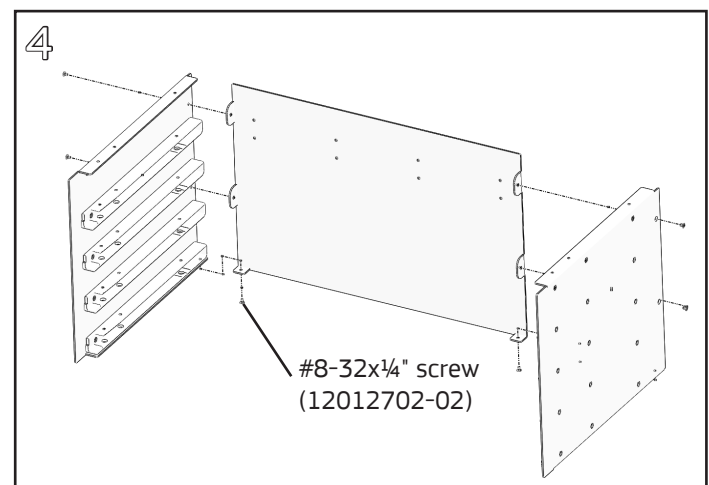
- $\frac{1}{8}$ " Drill Bit
- #2 Phillips Bit and/or Screwdriver
- Cordless Drill/Driver



Lay the left-hand Tote Holder panel flat and assemble a left-hand tote bearer in all locations except the top with (3) #8-32x $\frac{1}{4}$ " Phillips flat head screws per bearer using a #2 Phillips screwdriver.

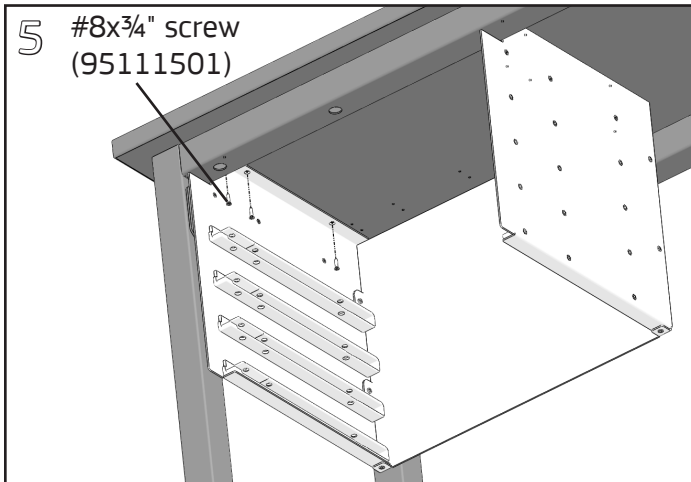


Repeat with right-hand Tote Holder panel.

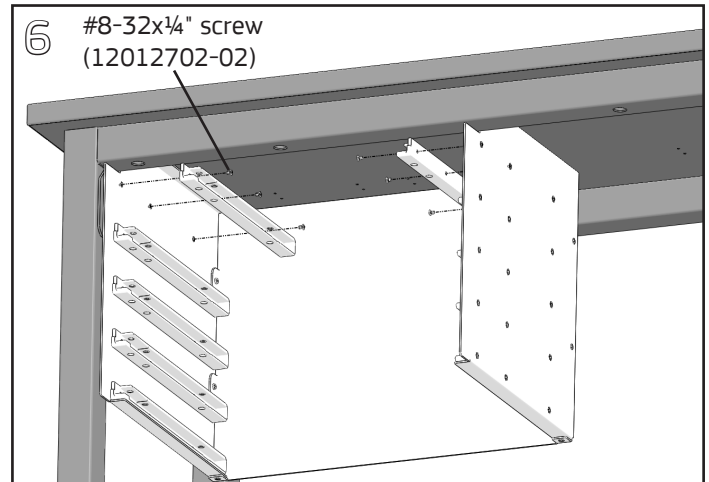


Assemble left and right Tote Holder panels to Tote Holder back using (6) #8-32x $\frac{1}{4}$ " Phillips flat head screws.

## Suspended Tote Holder, 4-Legged Table Mount



Align holes in top flanges of Tote Holder with the pilot holes in the surface. Attach with (6) #8x3/4" Phillips flat head screws using a #2 Phillips driver.



Attach the left and right tote bearers in the top locations of the side panels with (3) #8-32x1/4" Phillips flat head screws per bearer using a #2 Phillips screwdriver.