

Data Distributor End Cover, Face-Mount

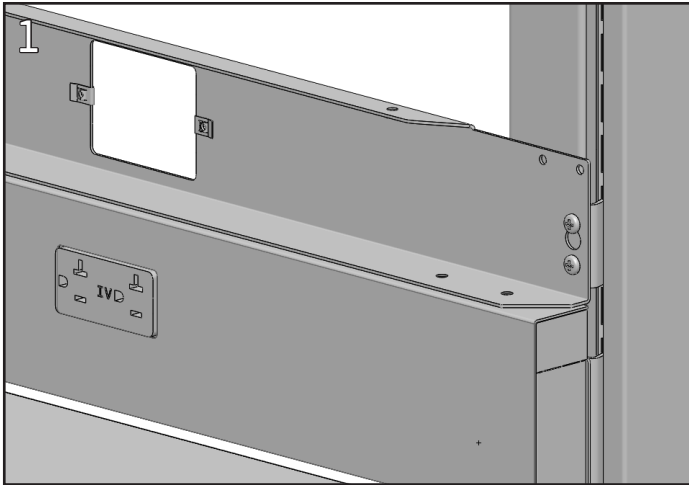
Product Numbers

- DDCF4

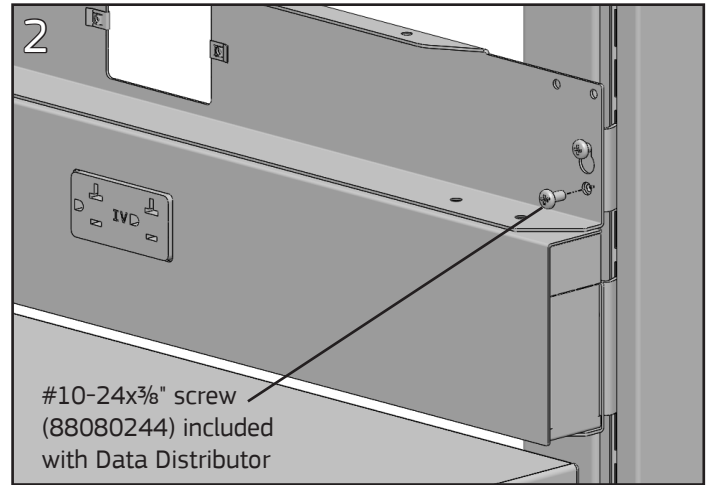
Hardware Pack: none

Required Tools

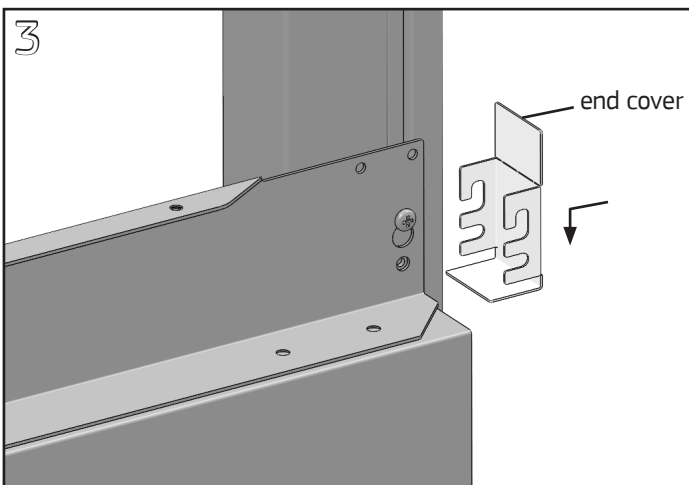
- #2 Phillips Screwdriver



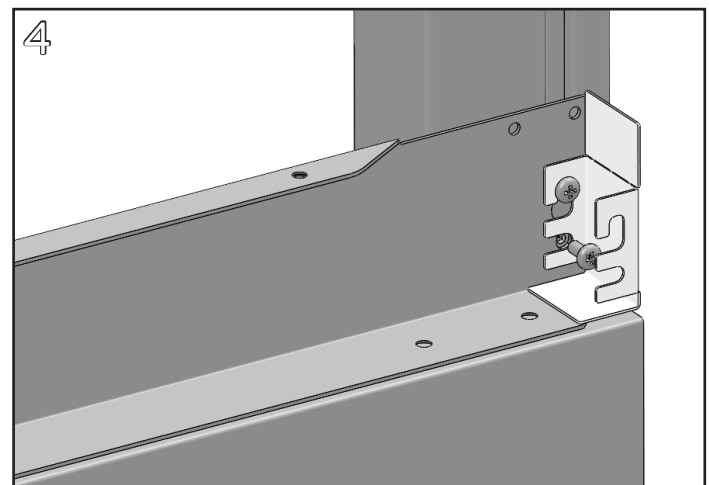
If necessary, remove data distributor face cover.



Using a **#2 Phillips screwdriver**, remove the lower hanger clip screw from the end of the distributor where end cover is to be installed. Loosen, but do not remove the upper hanger clip screw.



Slide end cover over and down onto upper hanger clip screw.



Reinstall lower hanger clip screw and tighten upper screw. Reinstall face cover.