

Data Distributor Face-Mount Router, 3-way

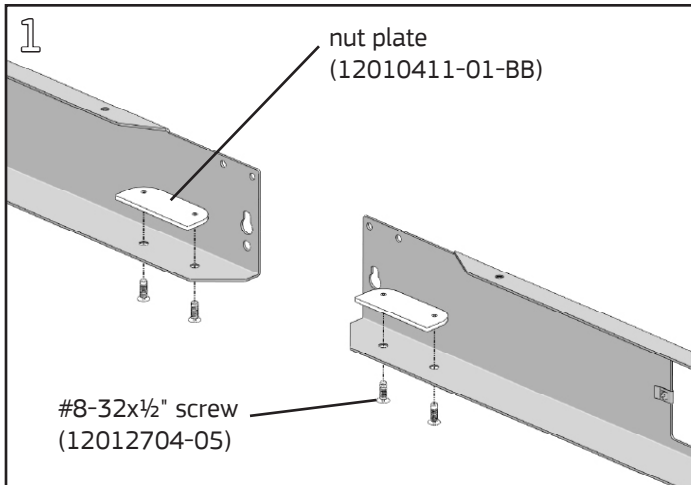
Product Numbers

- DDRF3

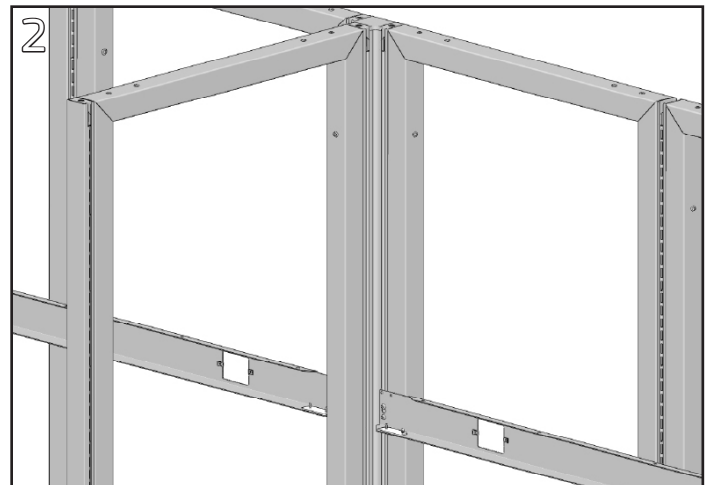
Hardware Pack: DDRF3 (p/n 12021813-01)

Required Tools

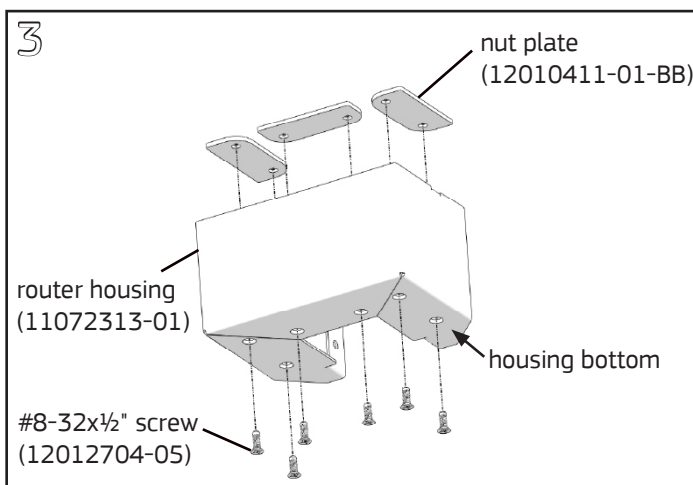
- #2 Phillips Screwdriver
- $\frac{5}{16}$ " Nutdriver



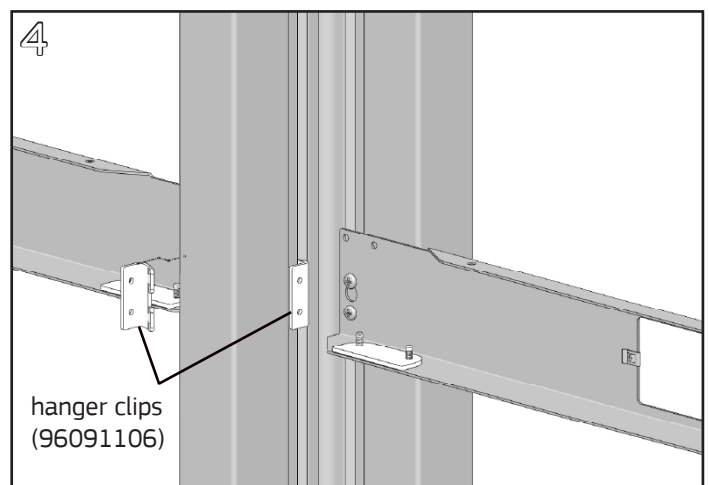
Before installing Data Distributors on the frames, the guide mounting screws must be assembled to the corner end of each distributor base. Align a nut plate, countersunk side down, with the holes in the base. Insert two #8-32x $\frac{1}{2}$ " Phillips flathead screws from the bottom of the distributor. Tighten screws with a #2 Phillips screwdriver.



Install the Data Distributors per individual product installation instructions, but do not attach the distributor covers.

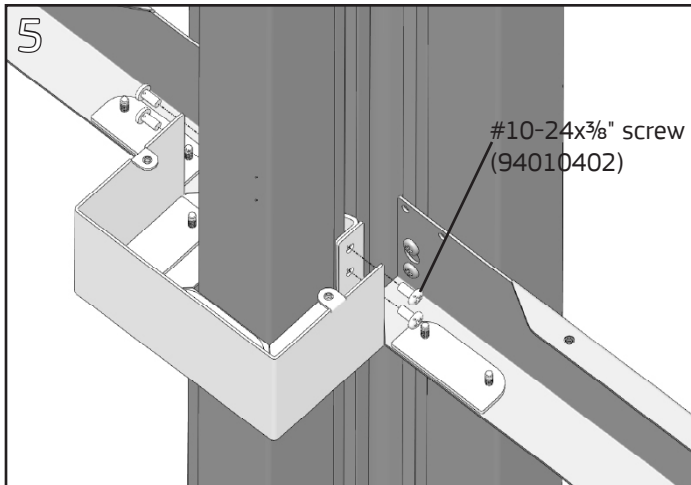


Assemble nut plates and guide mounting screws in the router housing in three locations as in step 1. Note that at the center location, the nut plate needs to be rotated 90 degrees.

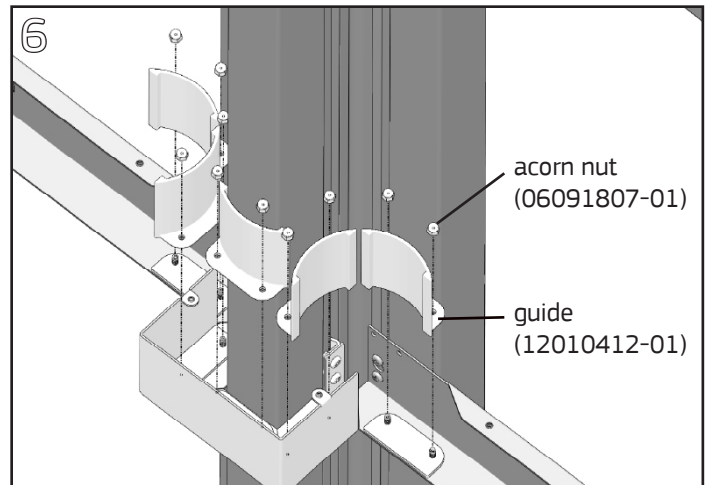


Install 2" hanger clips on front and back of the return frame at the same height as the Data Distributors.

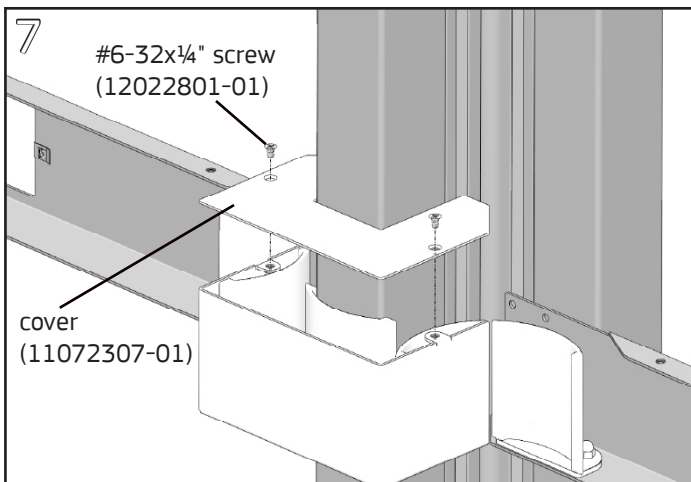
Data Distributor, Face-Mount Router, 3-way



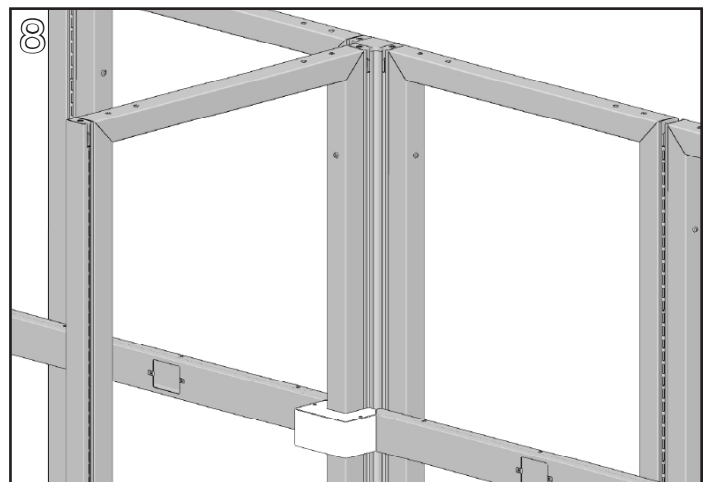
Align the tabs in the center of the router housing with the hanger clips. Fasten with four #10-24x $\frac{3}{8}$ " Phillips pan head screws using a #2 Phillips screwdriver.



Align the holes in the bottom of each guide with the screws assembled in steps 1 and 3. Fasten with a #8-32 acorn nut on each screw. Tighten nuts with a $\frac{5}{16}$ " nutdriver.



After routing data cables, place the cover on the router housing and fasten with two #6-32x $\frac{1}{4}$ " Phillips flathead screws using a #2 Phillips screwdriver.



Install Data Distributor covers per individual product installation instructions.