

Data Distributor Face-Mount Router, Corner

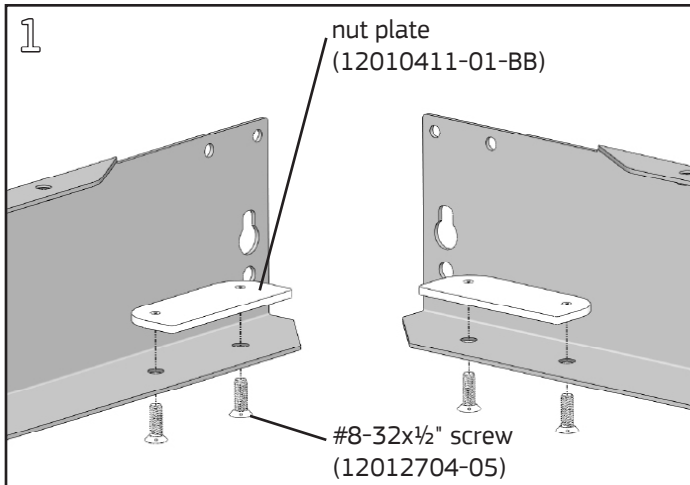
Product Numbers

- DDRF2

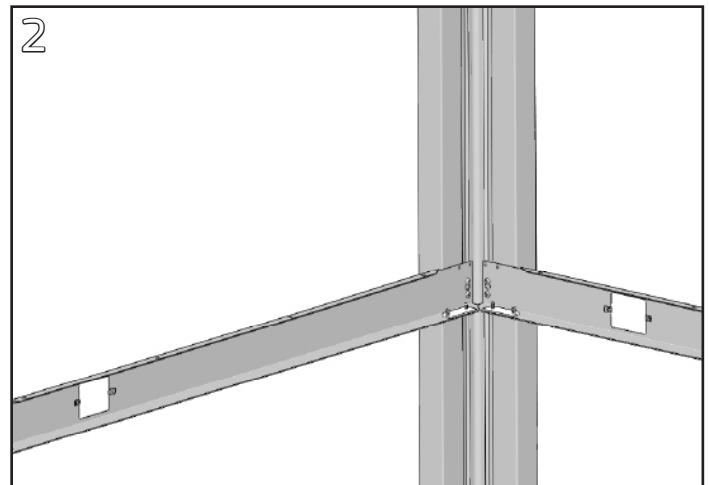
Hardware Pack: DDRF2 (p/n 12021812-01)

Required Tools

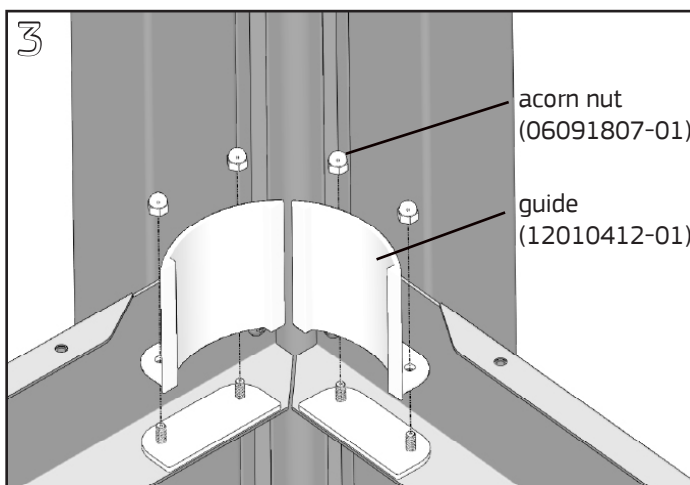
- #2 Phillips Screwdriver
- $\frac{5}{16}$ " Nutdriver



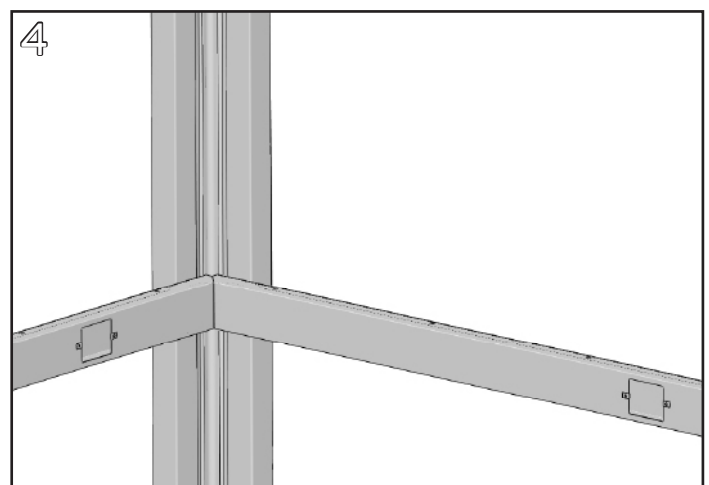
Before installing Data Distributors on the frames, the guide mounting screws must be assembled to the corner end of each distributor base. Align a nut plate, countersunk side down, with the holes in the base and insert two #8-32x $\frac{1}{2}$ " Phillips flathead screws from the bottom of the distributor. Tighten screws with a #2 Phillips screwdriver.



Install the Data Distributors per individual product installation instructions, but do not attach the distributor covers.



Align the holes in the bottom of each guide with the screws assembled in step 1. Fasten with a #8-32 acorn nut on each screw. Tighten nuts with a $\frac{5}{16}$ " nutdriver.



Install Data Distributor covers per individual product installation instructions.