

Electrical Distributor Grounding Kit

Product Numbers

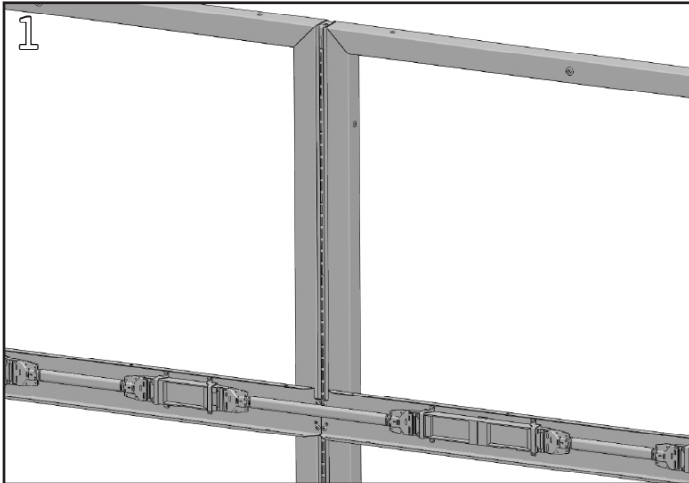
- EDGK

Hardware Pack: EDGK (p/n 12020401-01)

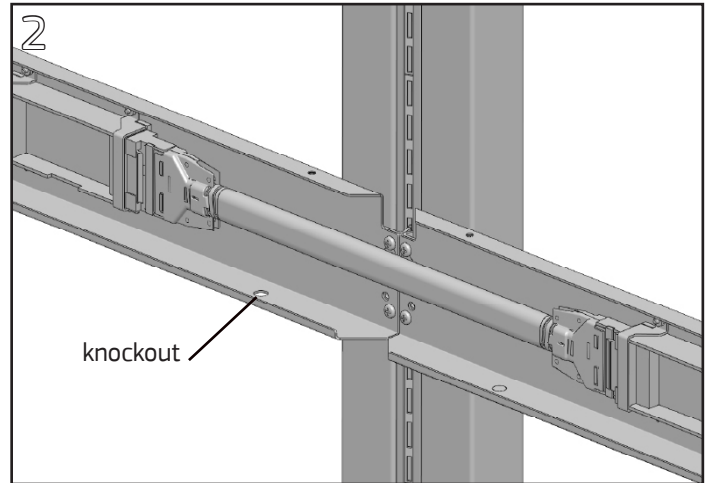
Note: Verify ESD ground path with an electrical tester before connecting components to the ground point.

Required Tools

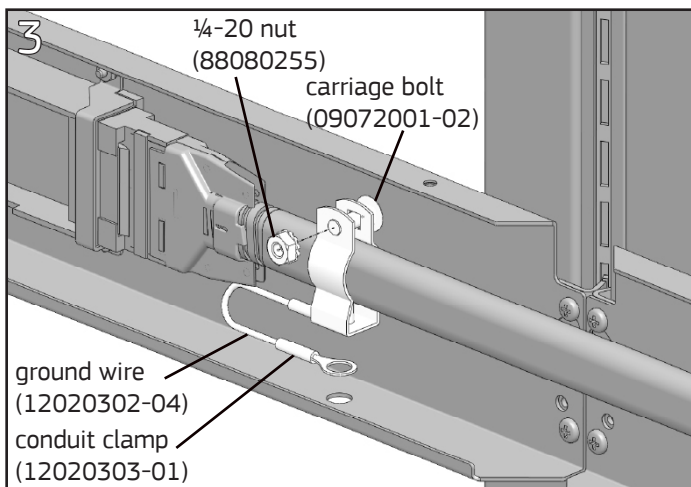
- $\frac{5}{16}$ " Wrench
- $\frac{7}{16}$ " Wrench or Nutdriver
- $\frac{9}{16}$ " Wrench



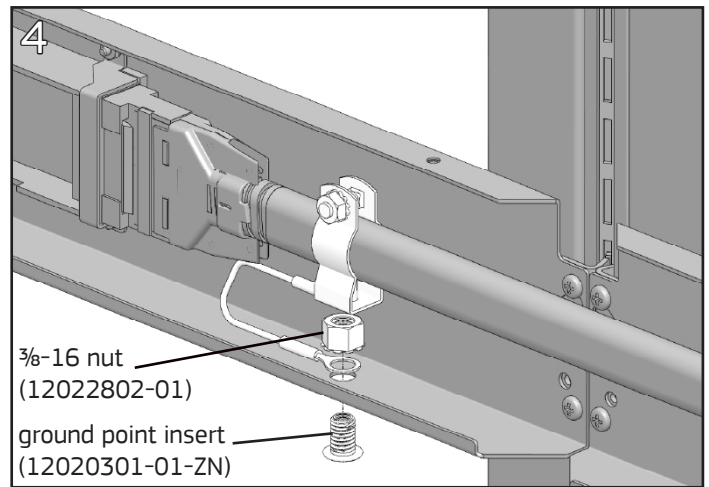
Install Electrical Distributors, Jumper Cables and Entry Cables per individual product installation instructions. The Electrical Distributor must be connected to the building power supply for the grounding kit to be effective.



Punch out one of the knockouts in the bottom wall of the Electrical Distributor, located 4.5" from the left or right end.



Slide the conduit clamp up over Electrical Distributor Jumper Cable, orienting the ground wire down. Insert a $\frac{1}{4}$ "-20x $\frac{3}{4}$ " carriage bolt through the square hole in the clamp. Fasten with a $\frac{1}{4}$ -20 hex nut and tighten using a $\frac{7}{16}$ " wrench/nutdriver so the conduit clamp makes contact with, but does not crush, the jumper conduit.



Place the ground point insert in the knockout hole with the flange on the outside of the distributor bottom. Place the ground wire ring terminal over the threads and fasten with a $\frac{3}{8}$ -16 hex nut. Tighten with a $\frac{5}{16}$ " wrench on the ground point insert flats, and a $\frac{9}{16}$ " wrench on the nut. Test ESD ground path.