

4-Legged Table Lower Shelf

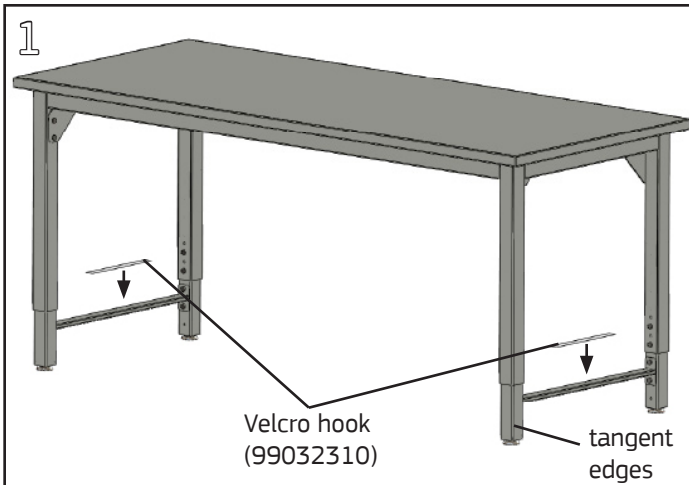
Product Numbers

- FLSLF
- FLSLH

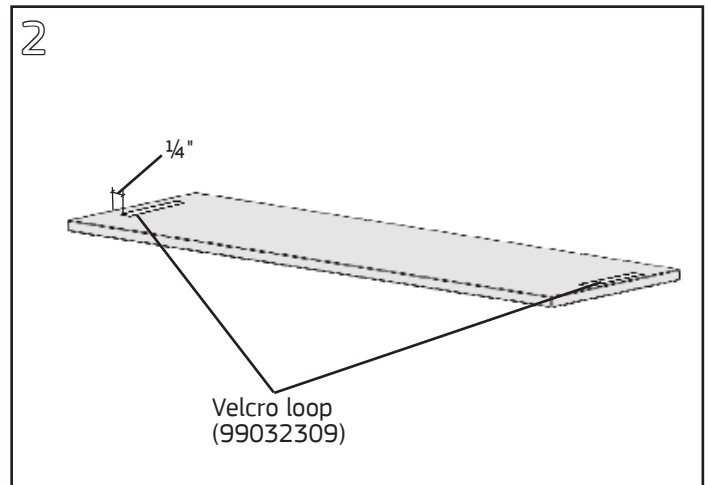
Required Tools

- none

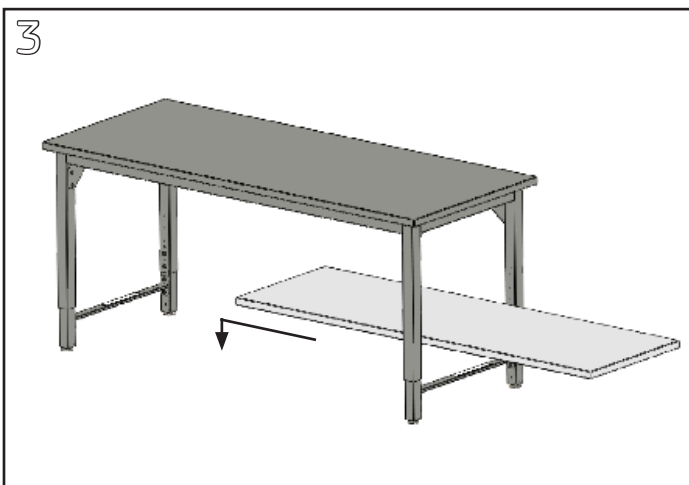
Hardware Pack: FLSLFHP (p/n 11120718-01) or FLSLHHP (p/n 11120718-02)



Remove the protective backing from the piece of Velcro hook. Press it firmly onto the shelf support bars.



Remove the protective backing from the piece of Velcro loop. Press it firmly 1/4" from each edge of the shelf.



Position the shelf so the Velcro hook on the shelf support bars is in line with the Velcro loop on the shelf. Rest the shelf flat on the support bars.